

**TOSHIBA**

FILE NO. 030-200204

SERVICE MANUAL

**COLOUR TELEVISION**

C01P Chassis

***42PW23P***

# TABLE OF CONTENTS

## CHAPTER 1 GENERAL ADJUSTMENTS

|   |    |
|---|----|
| SAFETY INSTRUCTIONS .....                   | 3  |
| CRT ASSEMBLY REPLACEMENT AND MOUNTING ..... | 4  |
| PICTURE TUBE COMPONENTS ADJUSTMENT .....    | 6  |
| SERVICE POSITION .....                      | 9  |
| SERVICE MODE .....                          | 10 |
| DESIGN MODE .....                           | 13 |
| ELECTRICAL ADJUSTMENT .....                 | 14 |
| CONVERGENCE ADJUSTMENT .....                | 15 |
| SCREEN AND MIRROR ALIGNMENTS .....          | 24 |
| CIRCUIT CHECKS .....                        | 25 |

## CHAPTER 2 SPECIFIC INFORMATIONS

|  |     |
|--|-----|
| SETTING & ADJUSTING DATA .....                   | 26  |
| LOCATION OF CONTROLS .....                       | 27  |
| MECHANICAL DISASSEMBLY .....                     | 29  |
| CHASSIS AND CABINET REPLACEMENT PARTS LIST ..... | 30  |
| PC BOARDS LAYOUT TOP VIEW .....                  | 48  |
| PC BOARDS BOTTOM VIEW.....                       | 49  |
| TERMINAL VIEW OF TRANSISTORS .....               | 59  |
| CIRCUIT BLOCK DIAGRAM .....                      | 62  |
| SPECIFICATIONS .....                             | END |

### APPENDIX:

CIRCUIT DIAGRAM

## SAFETY INSTRUCTIONS

**WARNING:** BEFORE SERVICING THIS CHASSIS, READ THE “X-RAY RADIATION PRECAUTION”, “SAFETY PRECAUTION” AND “PRODUCT SAFETY NOTICE” INSTRUCTIONS BELOW.

### X-RAY RADIATION PRECAUTION

1. Excessive high voltage can produce potentially hazardous X-RAY RADIATION. To avoid such hazards, the high voltage must not be above the specified limit. The nominal value of the high voltage of this receiver is (A) kV at zero beam current (minimum brightness) under a (C) V AC power source. The high voltage must not, under any circumstances, exceed (B) kV.
2. The only source of X-RAY RADIATION in this TV receiver is the picture tube. For continued X-RAY RADIATION protection, the replacement tube must be exactly the same type tube as specified in the parts list.
3. Some part in this receiver have special safety-related characteristics for X-RAY RADIATION protection. For continued safety, parts replacement should be undertaken only after referring to the PRODUCT SAFETY NOTICE below.

Refer to table-1 for high voltage (A), (B) & AC voltage (C).  
(See SETTING & ADJUSTING DATA on page 26)

Each time a receiver requires servicing, the high voltage should be checked following the HIGH VOLTAGE CHECK procedure in this manual. It is recommended that the reading of the high voltage be recorded as a part of the service record. It is important to use an accurate and reliable high voltage meter.

### SAFETY PRECAUTION

**WARNING :** Service should not be attempted by anyone unfamiliar with the necessary precautions on this receiver. The following are the necessary precautions to be observed before servicing this chassis.

1. An isolation transformer should be connected in the power line between the receiver and the AC line before any service is performed on the receiver.
2. Always discharge the picture tube anode to the CRT conductive coating before handling the picture tube. The picture tube is highly evacuated and if broken, glass fragments will be violently expelled. Use shatter proof goggles and keep picture tube away from the unprotected body while handling.
3. When replacing a chassis in the cabinet, always be certain that all the protective devices are put back in place, such as; non-metallic control knobs, insulating covers, shields, isolation resistor-capacitor network etc.

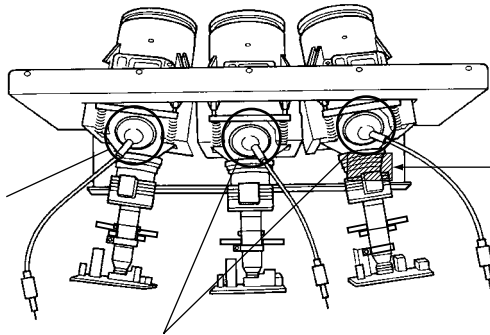
### PRODUCT SAFETY NOTICE

Many electrical and mechanical parts in this chassis have special safety-related characteristics. These characteristics are often passed unnoticed by a visual inspection and the protection afforded by them cannot necessarily be obtained by using replacement components rated for higher voltage, wattage, etc. Replacement parts which have these special safety characteristics are identified in this manual and its supplements; electrical components having such features are identified by the international hazard symbols on the schematic diagram and the parts list.

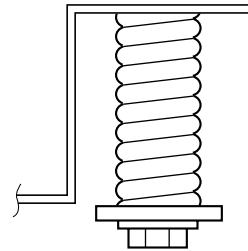
Before replacing any of these components, read the parts list in this manual carefully. The use of substitute replacement parts which do not have the same safety characteristics as specified in the parts list may create shock, fire, X-ray radiation or other hazards.

## CRT ASSEMBLY REPLACEMENT AND MOUNTING

**CAUTION : DO NOT LOOSEN THE HEX HEAD BOLTS WITH SPRINGS (12 PCS), BECAUSE THOSE ARE FOR SEALING OF CRT COOLANT.**

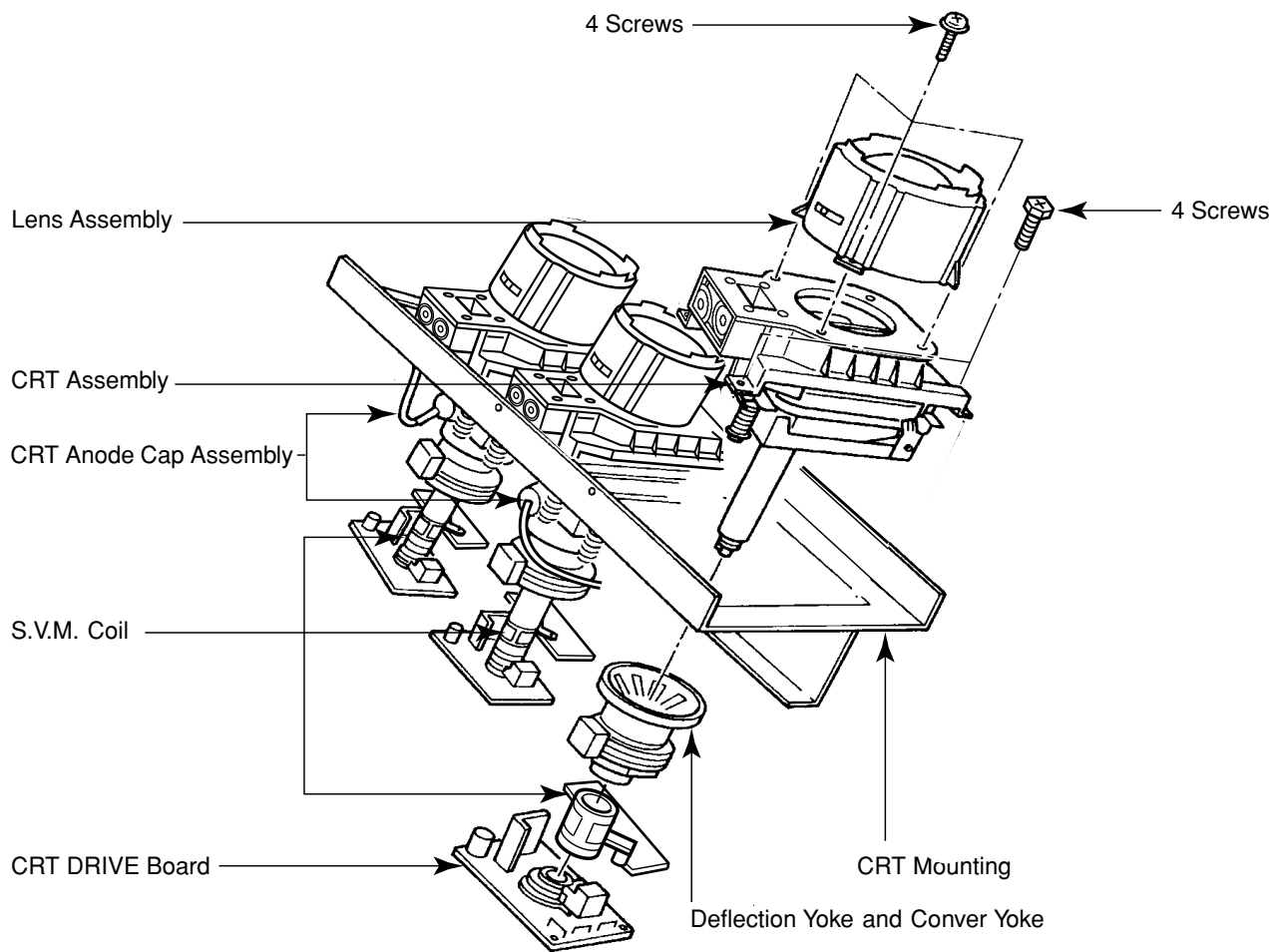


### Attention Serviceman



The Hex Head Bolts with Springs. (see sketch) used on CRT assembly, are "NOT"

Adjustment Screws  
DO NOT LOOSEN-FLUID  
LEAKAGE WILL OCCUR.



Lens and Neck Components View



TO REMOVE CRT (Same procedure for R, G, B)

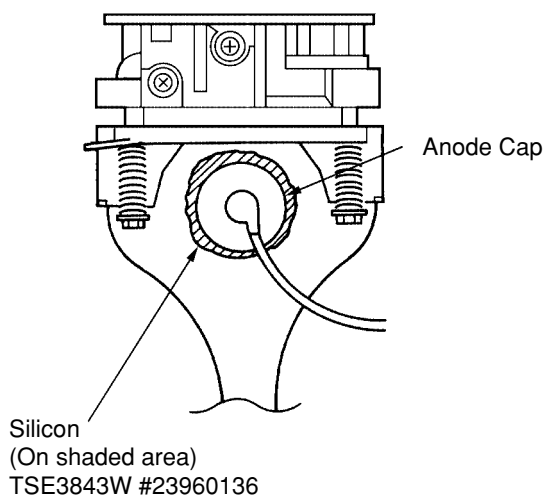
1. Remove CRT DRIVE Board, S. V. M. COIL and DEF. YOKE from CRT.
2. Remove Lens Assembly.
3. Detach CRT Anode Cap from CRT.
4. Remove CRT Assembly from CRT Mounting.

CRT REPLACEMENT (Same procedure for R, G, B)

Reverse the removal procedures except the followings.

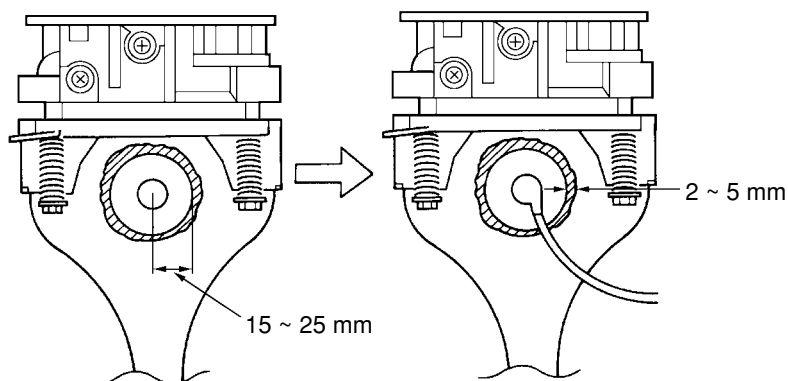
1. Anode Cable should be replaced with new one.  
See "SERVICING PRECAUTIONS" shown below.
2. Install silicon (T461B) to the CRT, replace the Anode cable and put enough silicon again on around the Anode Cap as illustrated.

CAUTION: Align the Anode cable as illustrated on page 4.



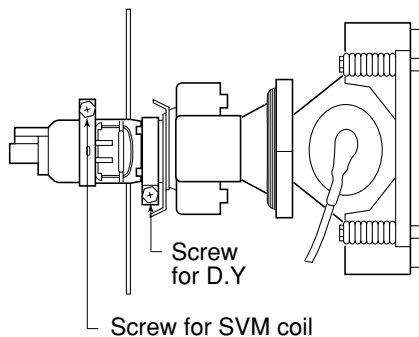
ADJUSTING PROCEDURE IN REPLACING CRT

1. R.G.B. CUTOFF (SCREEN VR) ADJUSTMENT (page 6.)
  2. R.G.B. FOCUS ADJUSTMENT (page 6.)
  3. PICTURE TILT ADJUSTMENT (page 7.)
  4. USER CONVERGENCE CENTER CHECK  
(Refer to owner's manual.)
  5. CENTERING ADJUSTMENT (page 7.)
  6. CONVERGENCE ADJUSTMENT (page 15.)
  7. WHITE BALANCE ADJUSTMENT (page 14.)
- Adjustments are complete.

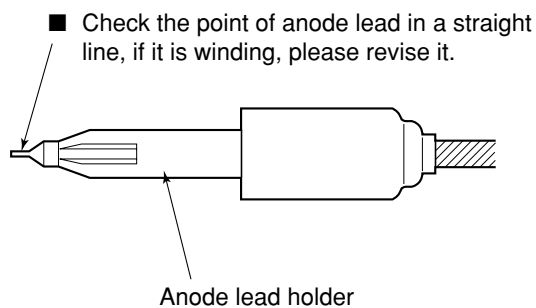


## SERVICING PRECAUTIONS

- Do not use a magnetized screw driver for screws of Deflection Yoke and Velocity Modulation Coil to avoid magnetization of electron gun. Magnetization of electron gun will degrade basic function and result in unbalance of right and left shift of user static convergence, and result in no variable quantity.



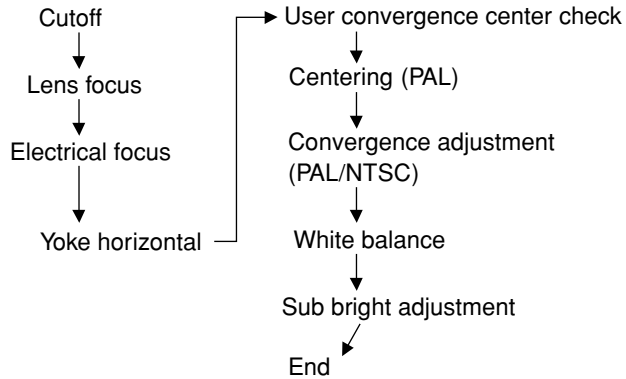
- When replacing the anode cap assembly (CRT) or anode lead assembly (F.B.T.), remove the anode lead holder from old one and attach the holder again to new anode lead.



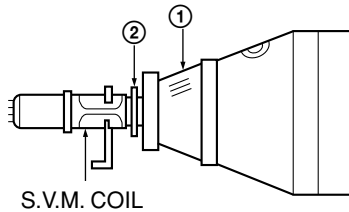
**WARNING:** BEFORE SERVICING THIS CHASSIS, READ THE "X-RAY RADIATION PRECAUTION", "SAFETY PRECAUTION" AND "PRODUCT SAFETY NOTICE" ON PAGE 3 OF THIS MANUAL.

## PICTURE TUBE COMPONENTS ADJUSTMENT

### ADJUSTING PROCEDURE IN REPLACING CRT



### DESCRIPTION OF NECK COMPONENTS



- ① Deflection yoke and convergence yoke.  
The position on the neck is required most front (CRT funnel side) and the screw is fastened after rotating yoke adjusting picture tilt.
- ② Centering magnet  
After adjusting picture tilt, picture position is finally fixed by this magnet.  
In order to get maximum margin of user convergence control for center of screen, this magnet have to be used for center convergence adjustment.

#### PREPARATION

Operate the receiver for at least 5 minutes.

### R, G, B CUTOFF (SCREEN VR) ADJUSTMENT

1. Adjust before replace the screen assembly.
2. Set user control to reset position.  
( CONTRAST → Max  
BRIGHTNESS, COLOR, TINT → Center. )
3. Call up the adjustment mode display, then select the item RCUT.
4. Adjust the data of items **RCUT**, **GCUT**, and **BCUT** to "40H".
5. Press the  $\text{---}$  button on Remote. (Y-MUTE : ON)
6. Gradually rotate R, G and B screen volume of FOCUS PAC clockwise or counterclockwise until the raster appears slightly on the CRT through the each lens, and leave them.  
(Lookin to the lens in order to check the raster.)
7. Press the  $\text{---}$  button on Remote. (Return to Normal Picture)

### RGB FOCUS ADJUSTMENT

1. Call-up the adjustment mode (see page 10)
2. Press  $\text{---}$  button on the remote controller in order to display the internally-generated cross-hatch (See TEST SIGNAL SELECTION on page 11.)
3. Expose only RED by covering the GREEN and BLUE lenses with caps.
4. Loosen the RED lens fixing screws (refer to Fig. a), and adjust the RED lens focus to obtain the sharpest point while observing the middle and peripheral sections of the screen.

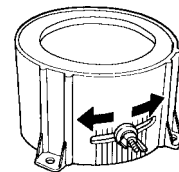


Fig. a

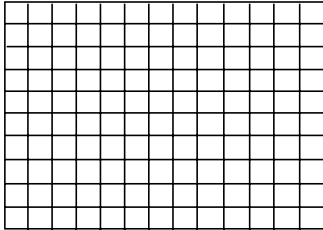
5. Use the focus VR of "R" of the focus pack in order to adjust the electric focus in the middle and peripheral sections of the screen to its sharpest level.
6. Check the RED focus of the whole screen and if necessary repeat steps 4 and 5.
7. Fix the RED lens by tightening its fixing screws.
8. Expose only GREEN by covering the RED and BLUE lenses with caps.
9. Display the internally-generated cross-hatch signal.
10. Adjust the GREEN lens focus on the left border of the screen to its sharpest level, then check the focus on the right border, and if it is at its sharpest level, fix it in that position by tightening the lens screws.

- (1) If the horizontal line toward the right border is red-flared, turn the lens screw slightly right in order to balance it with the left border. (After adjustment, the left border tends to be slightly green-flared, and the right border tends to be slightly red-flared.)
- (2) If the horizontal line toward the right border is green-flared, turn the lens screw slightly left in order to balance it with the left border. (After adjustment, the left border tends to be slightly red-flared, and the right border tends to be slightly green-flared.)

Note: The aim of the above-described adjustment procedure for the Green lens focus is to obtain the best lens focus after 2 - 3 hours of warming up taking into account the focus drift; it applies if the warming up time before the adjustment is less than 30 minutes. (The horizontal line in the screen middle section tends to be slightly red-flared.)

In case of warming up of more than 2 hours under a condition that the large anode current is running through the projection tube so that for example the all-white pattern appears, adjust to obtain the sharpest focus while observing the whole screen like in the RED case.

- Press  $\ominus$  button on the remote controller in order to display the internally-generated black cross-hatch. (See TEST SIGNAL SELECTION on page 11.)



- Use the focus VR of "G" of the focus pack in order to adjust the electric focus in the middle section of the screen to its sharpest level.

Note: Normally the most clearly visible point of the scanning line is the sharpest point of the Green focus, however as the characteristics vary depending on the projection tube, the sharpest focus points of the vertical and horizontal lines may not match each other, thus when you turn the focus VR, if the picture tends to be tremendously unstable (rolls horizontally or vertically), adjust the balance of the vertical and horizontal lines to its best position.

- Check the GREEN focus of the whole screen and if necessary repeat steps 10 and 11.
- Fix the GREEN lens by tightening up its fixing screws.
- Expose only BLUE by covering the RED and GREEN lenses with caps.
- Press  $\ominus$  button on the remote controller in order to display the internally-generated cross-hatch (See TEST SIGNAL SELECTION on page 11.)
- Loosen the BLUE lens fixing screws (refer to Fig. a), and adjust the BLUE lens focus while observing the middle and peripheral screen sections.
- Press  $\ominus$  button on the remote controller in order to display the internally-generated black cross-hatch (See TEST SIGNAL SELECTION on page 11.)
- Use the focus VR of "B" of the focus pack in order to adjust the focus in the middle section of the screen to its sharpest level.

(The point of the Blue focus becomes sharpest when the brightness level of BLUE is lowest, the cross-hatch is clearly visible.)

Note: Keep in mind that only the BLUE electric focus is adjusted with the black cross-hatch.

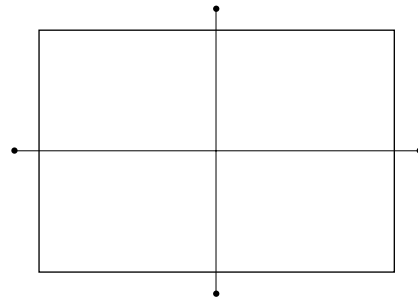
- Check the BLUE focus of the whole screen and if necessary repeat steps 17 and 19.
- Fix the BLUE lens by tightening its fixing screws.

#### TILT ADJUSTMENT

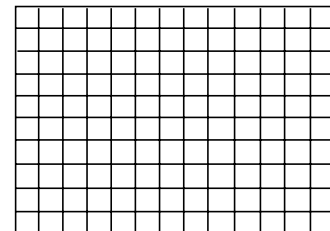
Rotate R, G, B deflection yoke so that picture becomes horizon, then fasten screw.

#### CENTERING ADJUSTMENT

- Stretch a thread between two center slots of screen edge (top and bottom, left and right).



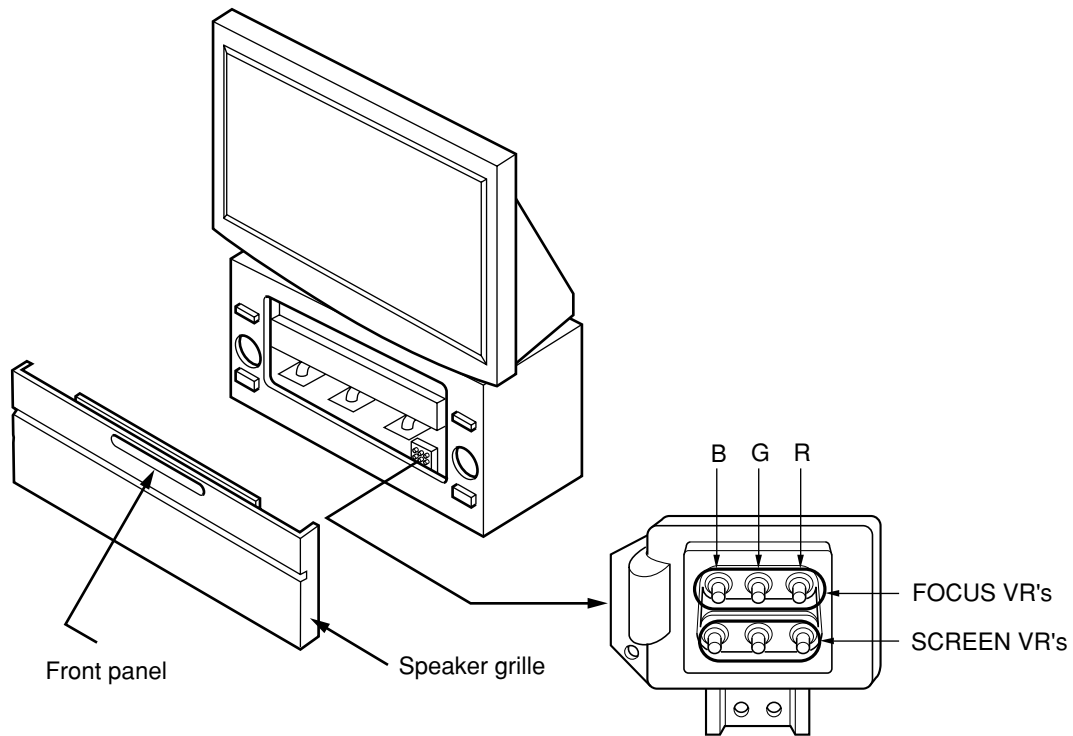
- Select the adjustment mode. (See page 10.)
- Press TV/VIDEO button on the Remote Control to display the black cross-hatch.



- Adjust G centering magnet so that the cross-hatch pattern center comes to screen center.
- Perform HEIGHT adjustment. (See page 14.)
- Perform VERT. LINEARITY adjustment. (See page 14.)
- Perform WIDTH adjustment. (See page 14.)
- Check whole quality of green line.
- Adjust R, B centering magnet so that the cross-hatch pattern center comes to screen center.

## LOCATION OF SCREEN AND FOCUS VR'S

To remove the Speaker grille and Front panel.



## REPLACEMENT OF HIGH VOLTAGE CABLE

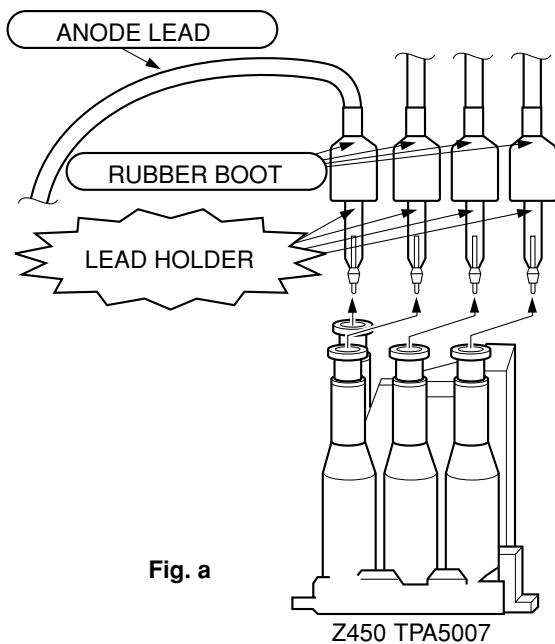


Fig. a

1. When replacing Anode Lead or Anode Cap with new one, remove Lead Holder from old lead as shown in figure below, and put it on new lead. Do not throw away Lead Holder.

**NOTE : THE LEAD HOLDER IS ATTACHED TO TPA5007 (Z450), BUT IS NOT ATTACHED TO ANODE LEAD AND ANODE CAP. RUBBER BOOT IS ATTACHED TO ANODE LEAD AND ANODE CAP.**

2. Detaching Lead Holder

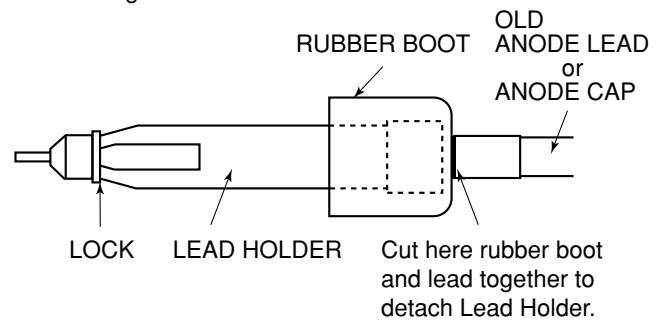


Fig. b

**WARNING:** BEFORE SERVICING THIS CHASSIS, READ THE "X-RAY RADIATION PRECAUTION", "SAFETY PRECAUTION" AND "PRODUCT SAFETY NOTICE" ON PAGE 3 OF THIS MANUAL.

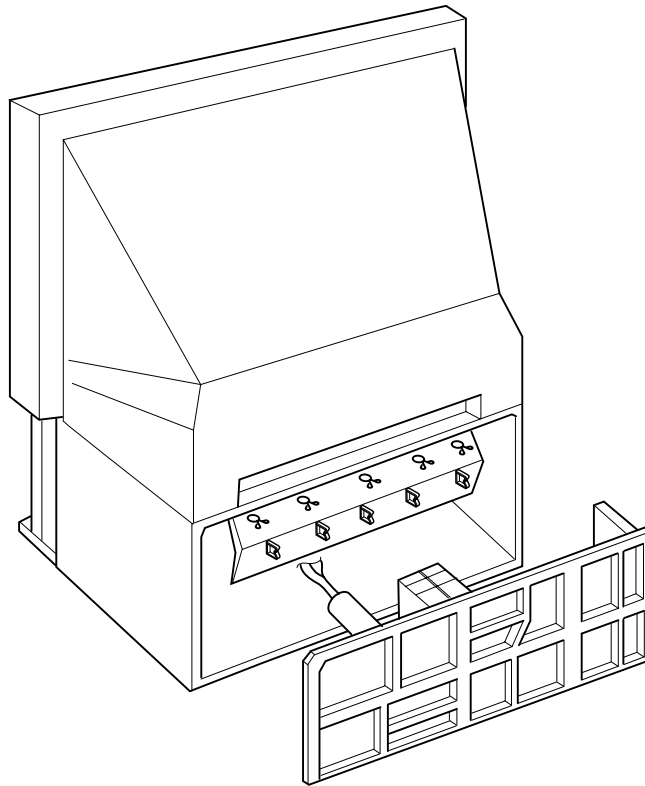
## SERVICE POSITION

In order to assure the performance, processed wires shall be replaced after the repair work.

Work procedures are as follows:

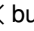

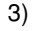
1. Remove the back board.
2. Remove lead wires.
3. Draw out the chassis.
4. Rest the chassis against the back cabinet, chassis as shown bellow.

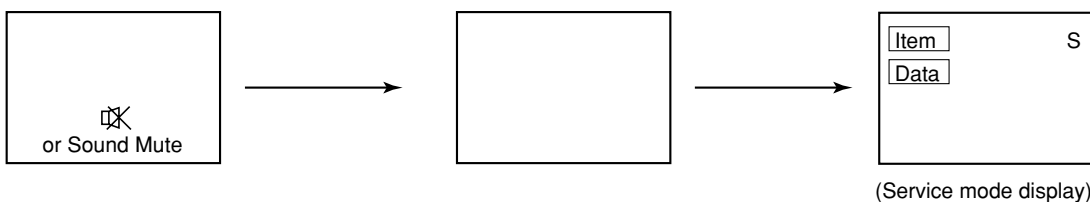
After repair work finished, replace it in the opposite procedure.



# SERVICE MODE

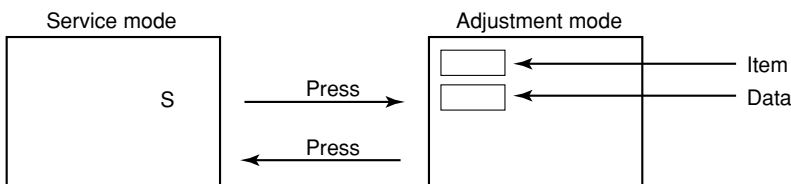
## 1. ENTERING TO SERVICE MODE

- 1) Press  button once on Remote Control.
- 2) Press  button again to keep pressing.
- 3) While pressing the  button, press MENU button on TV set.



## 2. DISPLAYING THE ADJUSTMENT MENU

- 1) Press MENU button on TV.



## 3. KEY FUNCTION IN THE SERVICE MODE

The following key entry during display of adjustment menu provides special functions.

- |   |   |
|---|---|
| Screen adjustment mode ON/OFF :                       | -/- button (on Remote)                      |
| Test signal selection :                               | ⊖ button (on Remote)                        |
| Selection of the adjustment items :                   | Channel ▲/▼ (on TV or Remote)               |
| Change of the data value :                            | Volume ▲/– (on TV or Remote)                |
| Adjustment menu mode ON/OFF :                         | MENU button (on TV)                         |
| Initialization of the memory (QA02) :                 | CALL + Channel button on TV (▲)             |
| Reset the count of operating protect circuit to “00”: | CALL + Channel button on TV (▼)             |
| “RCUT” selection :                                    | 1 button                                    |
| “GCUT” selection :                                    | 2 button                                    |
| “BCUT” selection :                                    | 3 button                                    |
| “SCNT” selection :                                    | 4 button                                    |
| “COLP” selection :                                    | 5 button – – – – Color thickness correction |
| “TNTC” selection :                                    | 6 button                                    |
| Convergence adj :                                     | YELLOW button                               |
| Self diagnostic display ON/OFF :                      | 9 button                                    |
- note: Displayed differently as shown below, depending on the setting of the receiving color system.  
COLP (PAL)  
COLC (NTSC)  
COLS (SECAM)

**CAUTION :** Never try to perform initialization unless you have changed the memory IC.

#### 4. SELECTING THE ADJUSTING ITEMS

- 1) Every pressing of CHANNEL ▲ button in the service mode changes the adjustment items in the order of table-2. (▼ button for reverse order)

Refer to table-2 for preset data of adjustment mode.  
(See SETTING & ADJUSTING DATA on page 26)

#### 5. ADJUSTING THE DATA

- 1) Pressing of VOLUME ▲/– button will change the value of data in the range from 00H to FFH. The variable range depends on the adjusting item.

#### 6. EXIT FROM SERVICE MODE

- 1) Pressing POWER button to turn off the TV once.

#### ■ INITIALIZATION OF MEMORY DATA OF QA02

After replacing QA02, the following initialization is required.

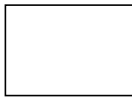
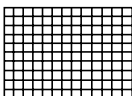
1. Enter the service mode, then select any register item.
2. Press and hold the CALL button on the Remote, then press the CHANNEL ▲ button on the TV. The initialization of QA02 has been completed.
3. Check the picture carefully. If necessary, adjust any adjustment item above.  
Perform "Auto search Memory" on the owner's manual.

CAUTION: Never attempt to initialize the data unless QA02 has been replaced.

#### 7. TEST SIGNAL SELECTION

- 1) Every pressing of –◀ button on the Remote Control changes the built-in test patterns on screen as described below in SERVICE MODE.

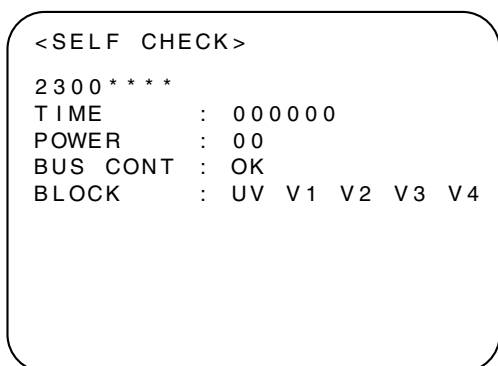
Signal off —→ PAL signals (5 patterns)  
 ↑ NTSC signals (5 patterns) ←

| Signals  | Picture   |
|--|---|
| <ul style="list-style-type: none"> <li>• Red raster</li> <li>• Green raster</li> <li>• Blue raster</li> <li>• All White</li> </ul> |  |
| <ul style="list-style-type: none"> <li>• Black cross-hatch</li> </ul>  |  |

\* The signals marked with ■ are not usable to display in the Test signal for some model.

### 8. SELF DIAGNOSTIC FUNCTION

- 1) Press "9" button on Remote Control during display of adjustment menu in the service mode.  
The diagnosis will begin to check if interface among IC's are executed properly.
- 2) During diagnosis, the following displays are shown.



- ① Part number of microcomputer (QA01)
- ② Total hour of turn the TV on. (Unit: H)
- ③ Operation number of protecting circuit ----"00" is normal.  
When indication is other than "00", overcurrent apts to flow, and circuit parts may possibly be damaged.
- ④ BUS CONT ----"OK" is normal.  
When indication shows "Q○○○ NG", the device with the number may possibly be damaged.
- ⑤ BLOCK  
UV : TV reception mode  
V1 : VIDEO 1 input mode (←①)  
V2 : VIDEO 2 input mode (←②)  
V3 : VIDEO 3 input mode  
V4 : VIDEO 4 input mode

Indicated color of mode now selected : Green and Red  
Indicated color of other modes : Black

Green : Normal  
Red : The microcomputer operates to provide judgement of no video signal. The red color is still indicated though the signal is input, failure may exist in input signal line including QV01.

NOTE: (1) In case that "on timer" indicator is blinking with interval of 0.5 seconds; it means protecting circuit (Current limiter) is operating, and circuit components may possibly be damaged. Check related components.  
(2) In case that "on timer" indicator is blinking with interval of 1 second; Protecting circuit does not operate, but a part of Bus line does not operate normally. Check Bus line.

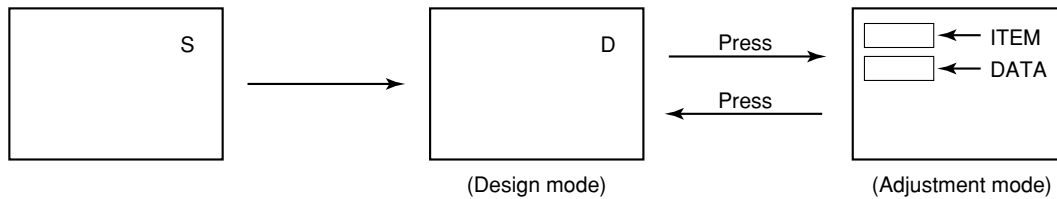
\* The items marked with ■ are not usable to display in the SELF DIAGNOSTIC FUCTION for some model.



# DESIGN MODE

## 1. ENTERING TO DESIGN MODE

- 1) Select the Service mode.
- 2) While pressing CALL button on Remote and press MENU button on TV.
- 3) Press MENU button on TV.



When QA02 is initialized, items "OPT0", "OPT1" and "OPT2" of DESIGN MODE are set to the data of the representative model of this chassis family.

Therefore, because ON-SCREEN specification remains in the state of the representative of model. This model is required to reset the data of items "OPT0", "OPT1" and "OPT2".

## 2. SELECTING THE ADJUSTING ITEMS

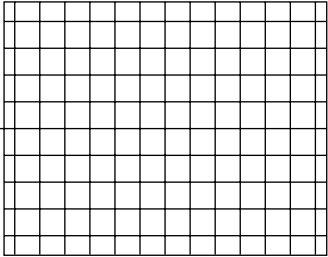
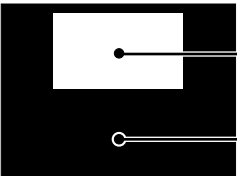
Every pressing of CHANNEL ▼ button in the design mode changes the adjustment items in the order of table-3. (▲ button for reverse order)

Refer to table-3 for data of design mode.  
(See SETTING & ADJUSTING DATA on page 26)

## 3. ADJUSTING THE DATA

Pressing of VOLUME ▲ or ▼ button will change the value of data.

## ELECTRICAL ADJUSTMENT

| ITEM  | ADJUSTMENT PROCEDURE  |
|---|---|
| WIDTH<br>(WID)  | <ol style="list-style-type: none"> <li>1. Call up the adjustment mode display, then select the item <b>WID</b>.</li> <li>2. Press the VOLUME ▼ button to get the picture so the left or right edges of raster begins to lack.</li> <li>3. Press the VOLUME ▲ button to advance the data by 10 steps.</li> </ol> <p>Note : Check the horizontal picture position is correct.</p>   |
| VERTICAL LINEARITY<br>(VLIN)                                    | <ol style="list-style-type: none"> <li>1. Call up the adjustment mode display, then select the item <b>VLIN</b>.</li> <li>2. Press the TV/VIDEO button on Remote until the cross-hatch pattern appears on the screen.</li> <li>3. Press the VOLUME ▲ or ▼ button to obtain the picture of the best linearity</li> </ol> <div style="text-align: right; margin-right: 50px;">  <p>Center</p> </div>   |
| HEIGHT<br>(HIT)   | <ol style="list-style-type: none"> <li>1. Call up the adjustment mode display, then select the item <b>HIT</b>.</li> <li>2. Press the VOLUME ▼ button to get the picture so the top or bottom of raster begins to lack.</li> <li>3. Press the VOLUME ▲ button to advance the data by 11 steps.</li> </ol> <p>Note : Check the vertical picture position is correct.</p>   |
| WHITE BALANCE<br>(RCUT)<br>(GCUT)<br>(BCUT)<br>(RDRV)<br>(BDRV) | <p>Black and White pattern</p> <div style="display: flex; align-items: center;">  <div style="margin-left: 20px;"> <p>High light area<br/>Adjust "RDRV" or "BDRV" to be white.</p> <p>Low light area<br/>Fine adjust "RCUT", "GCUT" or "BCUT" to be black.</p> </div> </div> <ol style="list-style-type: none"> <li>1. Set user control to reset position.             <div style="text-align: center; margin: 10px 0;"> <math display="block">\left( \begin{array}{l} \text{CONTRAST} \rightarrow \text{Max} \\ \text{BRIGHTNESS, COLOR, TINT} \rightarrow \text{Center.} \end{array} \right)</math> </div> </li> <li>2. Call up the adjustment mode display, then select the item <b>RCUT</b>.</li> <li>3. Adjust the data of items <b>RCUT</b>, <b>GCUT</b>, and <b>BCUT</b> to "40H".</li> <li>4. Press the -/-- button on Remote. (Y-MUTE : ON)</li> <li>5. Gradually rotate R, G and B screen volume of FOCUS PAC clockwise or counterclockwise until the raster appears slightly on the CRT through the each lens, and leave them.<br/>(Lookin to the lens in order to check the raster.)</li> <li>6. Press the -/-- button on Remote. (Return to Normal Picture)</li> <li>7. Press the -⊖ button on Remote, and select the Black and White pattern.</li> <li>8. Adjust the data of items <b>RCUT</b>, <b>GCUT</b> and <b>BCUT</b> for proper white-balanced picture in low light area.</li> <li>9. Adjust the data of items <b>RDRV</b> and <b>BDRV</b> for proper white-balanced picture in high light area.</li> <li>10. Check the white balance in both low and high light areas.<br/>If necessary, perform again steps from 8 to 9.</li> </ol> |

# CONVERGENCE ADJUSTMENT

## 1. SCREEN ADJUSTMENT

The adjustment is carried out on eight screens; Wide, Superlive, Cinema and Subtitle screens in both PAL and NTSC modes. When making the adjustments, feed an external signal to make an synchronization.

**Note:**

The convergence circuit is a circuit to eliminate screen distortion and can not make a drastic correction such as to correct entire screen size. An excessive correction may actuate the protection circuit. So a care will be necessary.

Before proceeding to the adjustment for each screen, always perform the adjustments for vertical size (HIT) and horizontal size (WID) with the main deflection data changed.

Order of the adjusting screens is PAL Wide → PAL Superlive → PAL Cinema → PAL Subtitle → NTSC Wide → NTSC Superlive → NTSC Cinema → NTSC Subtitle.

The menu order is 1~7 .... when the vertical sync is 50 Hz. (In this case, item 8~12 are not displayed)

The menu order is 8~12 .... when the vertical sync is 60 Hz. (In this case, item 1~7 are not displayed)

### 1-1. Entering the Adjustment Menu

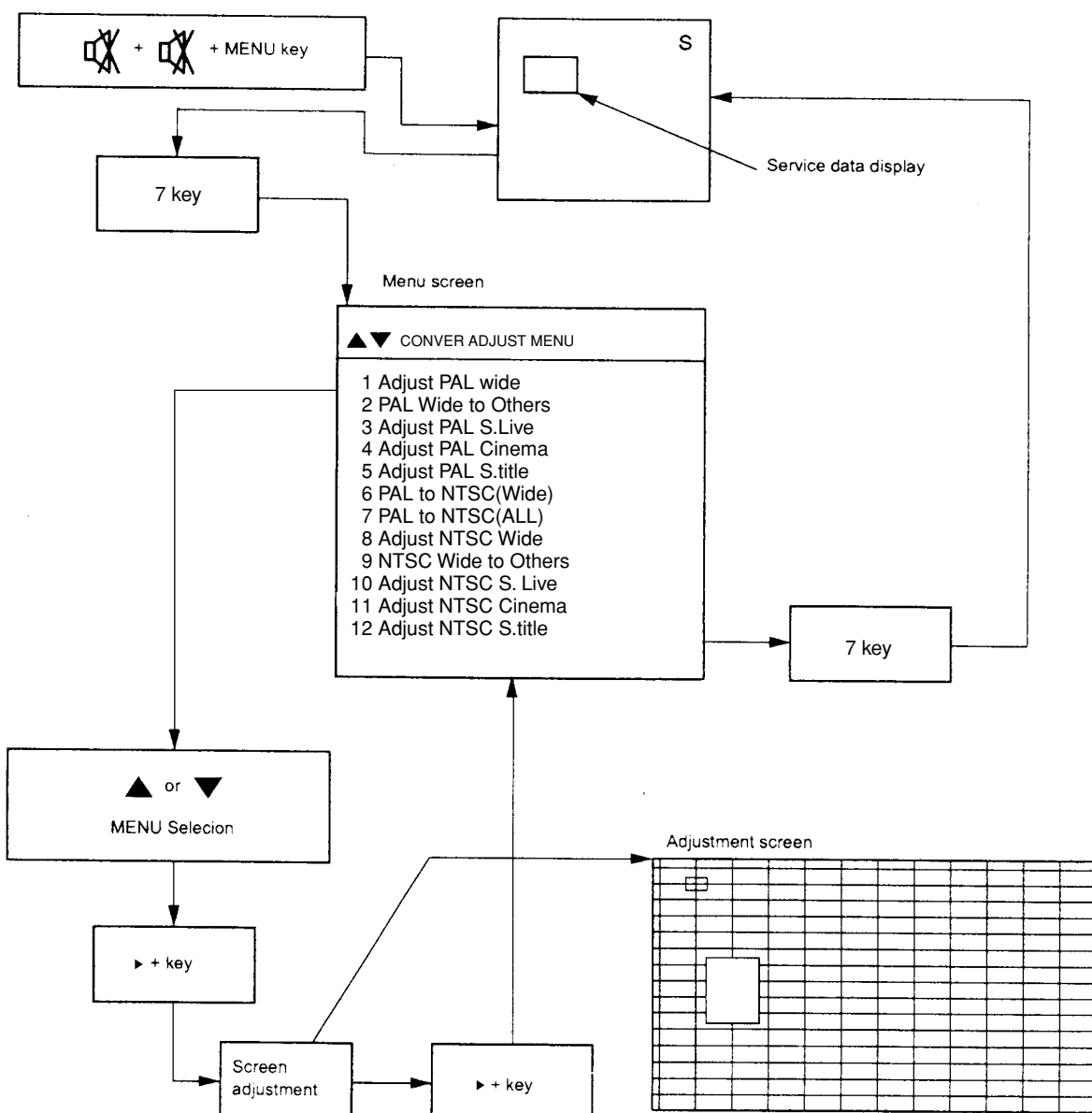
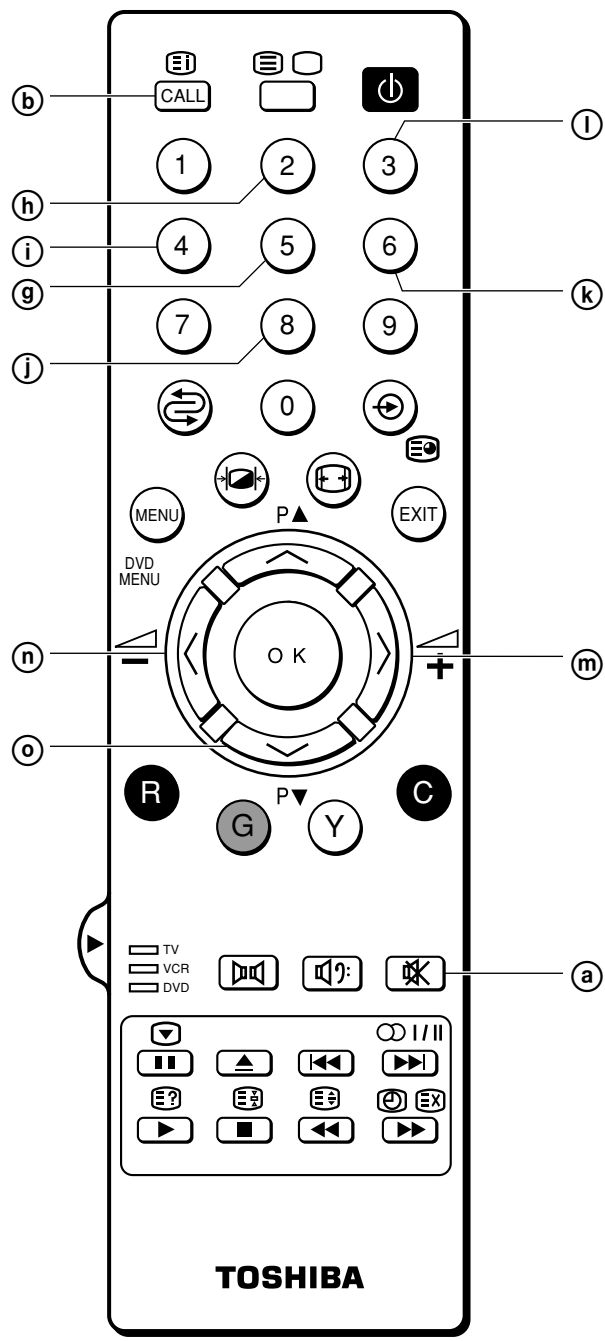


Fig. 1

1-2. Remote Control Key



- a key ..... Push this key twice and the set console menu key to enter the service mode.
- b F key ..... Push this key and 7 key to enter and cancel the convergence menu.
- g 5 key ..... Cursor shift / data change mode change-over.
- h 2 key ..... Cursor up / adjusting point up.
- i 4 key ..... Cursor left / adjusting point left
- j 8 key ..... Cursor down / adjusting point down
- k 6 key ..... Cursor right / adjusting point right
- l 3 key ..... Cursor colour change (Adjusting colour selection).
- m key ..... Execution key on convergence menu.
- n key ..... Up key on convergence menu.
- o key ..... Down key on convergence menu.

Fig. 2

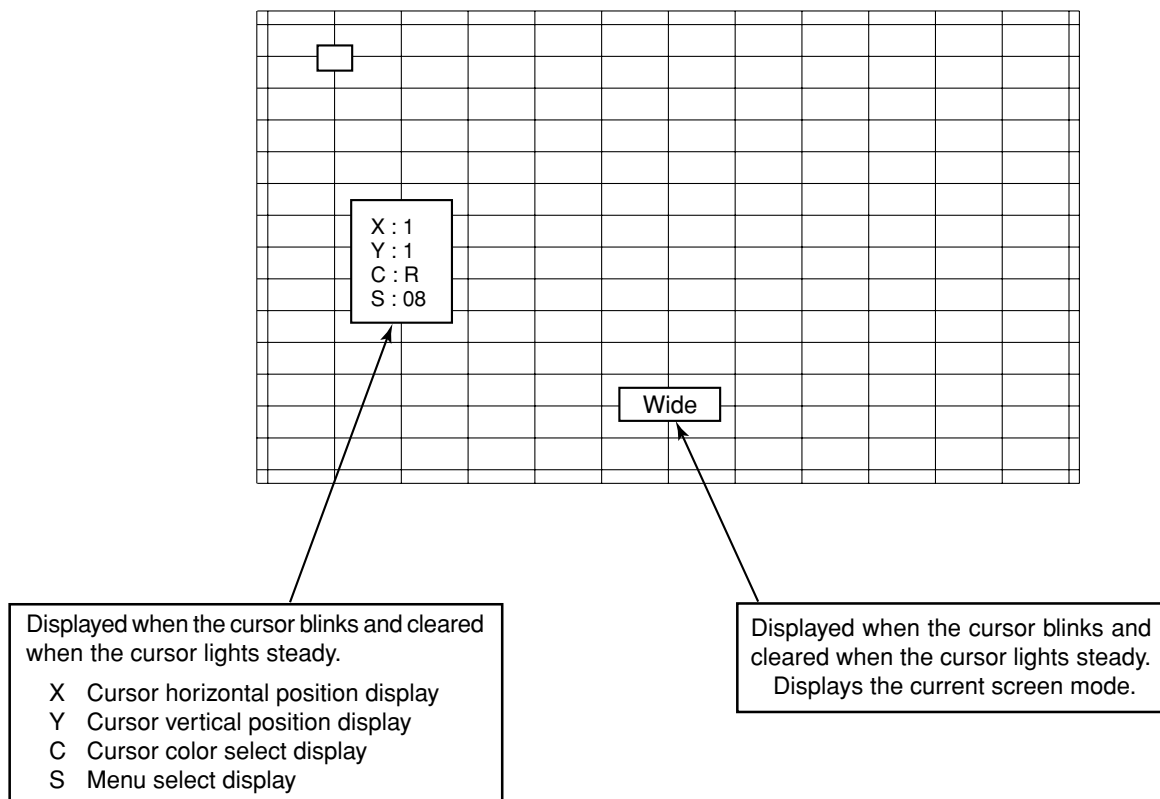
### 1-3. Adjusting Screen

#### 1) Adjusting menu

| NO | Item                | Description   |
|----|---------------------|---|
| 1  | Adjust PAL Wide     | Used for manual adjustment of the Wide/4:3 screen in the PAL mode.<br>Returns to the original screen data screen before data conversion, explained below.   |
| 2  | PAL Wide to others  | Automatically saves approximate supplementary data for the other PAL screens based on the PAL Wide/4:3 screen data.<br>First, the PAL Wide/4:3 screen data are converted to Super Live and the values are saved. Next, the data are converted to Cinema and the values are saved. Finally, the data are converted to Subtitle and the values are saved, and then the operation ends. Manually check the other screen modes as described below and make corrections if distortion, etc., is present.<br><br>Please be aware that all PAL screens are re-adjusted when this menu is selected and executed.        |
| 3  | Adjust PAL S.Live   | Used for manual adjustment of the PAL Super Live screen.<br>Select this mode for Super Live screen color matching and distortion adjustment.<br>Use the specified dimensions when adjusting.  |
| 4  | Adjust PAL Cinema   | Used for manual adjustment of the PAL Cinema screen.<br>Select this mode for Cinema screen color matching and distortion adjustment.<br>Use the specified dimensions when adjusting.  |
| 5  | Adjust PAL S.title  | Used for manual adjustment of the PAL S.title screen.<br>Select this mode for S.title screen color matching and distortion adjustment.<br>Use the specified dimensions when adjusting.  |
| 6  | PAL to NTSC (Wide)  | PAL Wide/4:3 screen data is calculated, converted to NTSC Wide/4:3 approximate data and saved.<br>To assure accurate adjustments, select the manual mode explained below and check, then apply color matching and distortion adjustments.   |
| 7  | PAL to NTSC (All)   | Data for all PAL screens is converted to approximate data for the NTSC screens and saved.<br>To assure accurate adjustments, select the manual mode explained below and check, then apply color matching and distortion adjustments.  |
| 8  | Adjust NTSC Wide    | Used for manual adjustment of the NTSC Wide/4:3 screen.<br>Select this mode for Wide/4:3 screen color matching and distortion adjustment.<br>Use the specified dimensions when adjusting.   |
| 9  | NTSC Wide to others | Approximate supplementary data for the other NTSC screens is automatically saved based on the NTSC Wide/4:3 screen data.<br>First, the NTSC Wide/4:3 screen data are converted to Super Live and the values are saved. Next, the data are converted to Cinema and the values are saved. Finally, the data are converted to Subtitle and the values are saved, and then the operation ends. Manually check the other screen modes as described below and make corrections if distortion, etc., is present.<br><br>Please be aware that all NTSC screens are re-adjusted when this menu is selected and executed. |

| NO | Item                | Description   |
|----|---------------------|---|
| 10 | Adjust NTSC S.Live  | Used for manual adjustment of the NTSC Super Live screen.<br>Select this mode for Super Live screen color matching and distortion adjustment.<br>Use the specified dimensions when adjusting. |
| 11 | Adjust NTSC Cinema  | Used for manual adjustment of the NTSC Cinema screen.<br>Select this mode for Cinema screen color matching and distortion adjustment.<br>Use the specified dimensions when adjusting.         |
| 12 | Adjust NTSC S.title | Used for manual adjustment of the NTSC Subtitle screen.<br>Select this mode for Subtitle screen color matching and distortion adjustment.<br>Use the specified dimensions when adjusting.     |

## 2) Adjustment Screen



## 3) Adjustment Sequence

When the initial screen opens, X = 1, Y = 1, C = R and S = [Select Menu] are displayed as the defaults. The cursor can now be moved up, down, left and right using the (2), (8), (4) and (6) keys of the remote control. Select the desired adjustment and press the (5) key; the cursor will light steady and the screen display will be cleared. Again press the (2), (8), (4) and (6) keys of the remote control to adjust the shape of the screen. When adjustment has been completed, press the (+) key to return to the Adjustment Menu. When all of the screen adjustments have been completed, turn off the main power supply of the set to reset the menu.

## 2. Case Study

In many cases, color matching problems can be solved by returning the HIT and WID data for main deflection to the initial adjustment values. Convergence cannot be re-adjusted in the following cases.

### 2-1 When the CRT has been replaced

Main deflection re-adjustment and color matching are necessary when the CRT has been replaced. Use the following procedure.

1. Replace the blue and red CRTs.
2. Perform the blue and red yoke horizontal adjustments in relation to the green CRT. Press the yokes and speed modulation coils + alignments onto the CRTs and fasten after making sure that there are no gaps.
3. Adjust the blue and red alignments (refer to the detailed alignment adjustment item).
4. Use centering magnets to center the blue and red CRTs in relation to the green CRT.
5. Adjust the main deflection HIT and WID data, using the most accurate location in relation to the green as data.
6. Use convergence to match the colors for each screen. Green will not work at this time.
7. When the convergence adjustments have been completed for all screens, then replace the green CRT.

Repeat the procedures in steps 2 - 5 for the green CRT but this time use convergence to match the colors using red and blue as reference.

### 2-2 When replacing the convergence unit

Generally, all of the screens must be re-adjusted when the convergence unit is replaced, but the process can be greatly shortened by using the following method.

1. Replace the memory (Q711, Q712, Q713) of the new unit with the memory (Q711, Q712, Q713) of the defective unit. This makes it possible to quickly reproduce the previous screen status when installed in the set.
2. Install the new unit with the old memory in the set and turn on the power. The entire screen will move linearly in either the vertical or horizontal direction.
3. Use centering magnets to re-adjust the green, red and blue centers.
4. There is possibility of color mismatching or differences in screen size when the various screens are checked. In such case, adjust the main deflection and apply a slight amount of convergence color matching.

### 2-3 When none of the above cases apply (rare case)

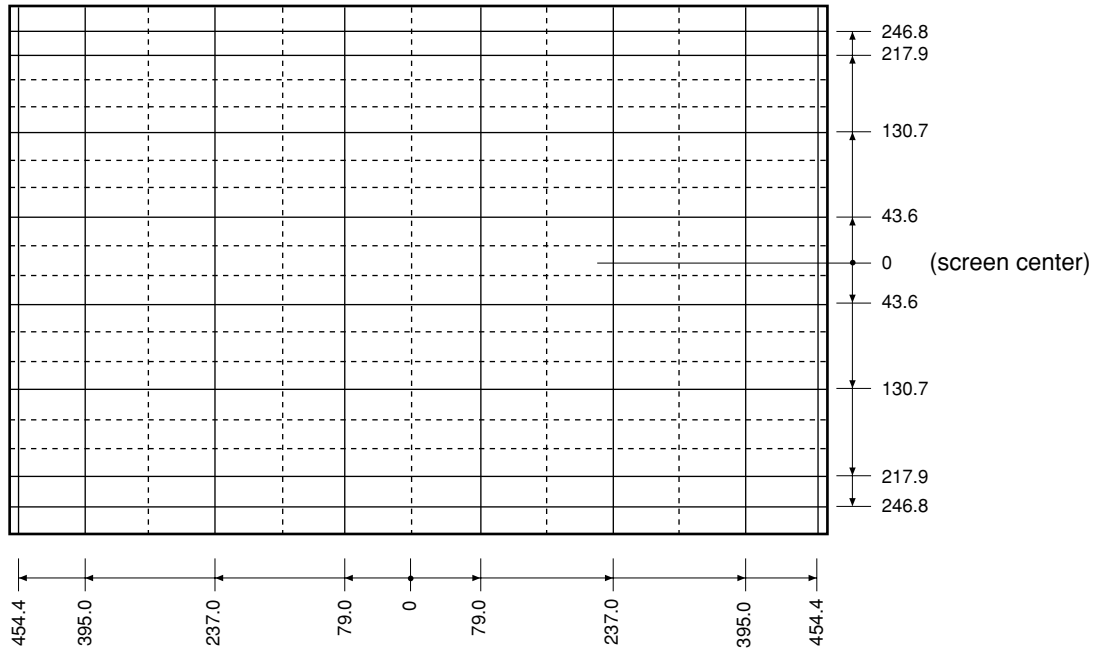
An unexpected situation or major operational error, etc., could be considered but it is recommended that all screens be matched starting from the beginning. If the initial positions of the centering magnets are unknown, disconnect the connectors for the convergence sub-yoke outputs one at a time, adjust the CRT centering and then start the following adjustments.

1. Make sure that there is plenty of room for the static cross convergence to be moved left, right, up and down. If sufficient space is not available, move to an appropriate location and then re-adjust the centering.
2. Enter the convergence adjustment mode and call out the menu. (Leave the PAL signal connected.)
3. Select 1. Adjust PAL Wide and adjust the PAL mode Wide/4:3 screen manually in accordance with the dimension diagram.
4. When the Wide/4:3 screen adjustment has been completed, return to the Main Menu and select 2. PAL Wide to others.  
The screen will change automatically and the Wide, Cinema and Subtitle screens will be created automatically.
5. Next, select 3. Adjust PAL S.Live and mainly adjust in the horizontal direction in accordance with the dimension diagram.
6. Next, select 4. Adjust PAL Cinema and fine adjust to remove any Cinema screen distortion.
7. Next, select 5. Adjust PAL Subtitle and fine adjust to remove any Subtitle screen distortion.
8. Next, select 7. PAL to NTSC (ALL), then calculate and copy the data for all PAL screens in the NTSC mode. At this time, the calculations and screen shape changes will be performed automatically and the NTSC screen data corresponding to the PAL screens will be transferred.
9. Select in sequence 8. Adjust NTSC Wide, 10. Adjust NTSC S.Live, 11. Adjust NTSC Cinema and 12. Adjust NTSC Subtitle, check the respective NTSC screen modes and, if necessary, adjust for any distortion.

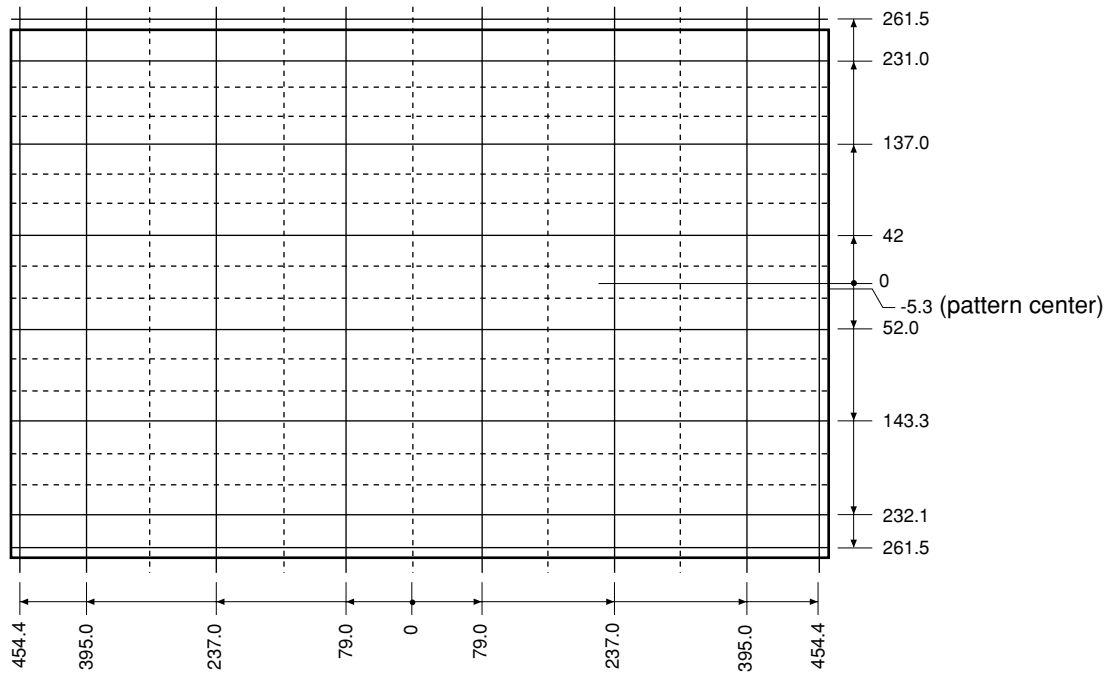
All of the screens can be adjusted with the above process but make every effort not to change the factory data unless absolutely necessary. Try not to change the convergence data any more than necessary.

### 3 Screen adjustment dimensions

#### 3-1 WIDE/4:3 (PAL mode)



#### 3-2 Super Wide (PAL mode)

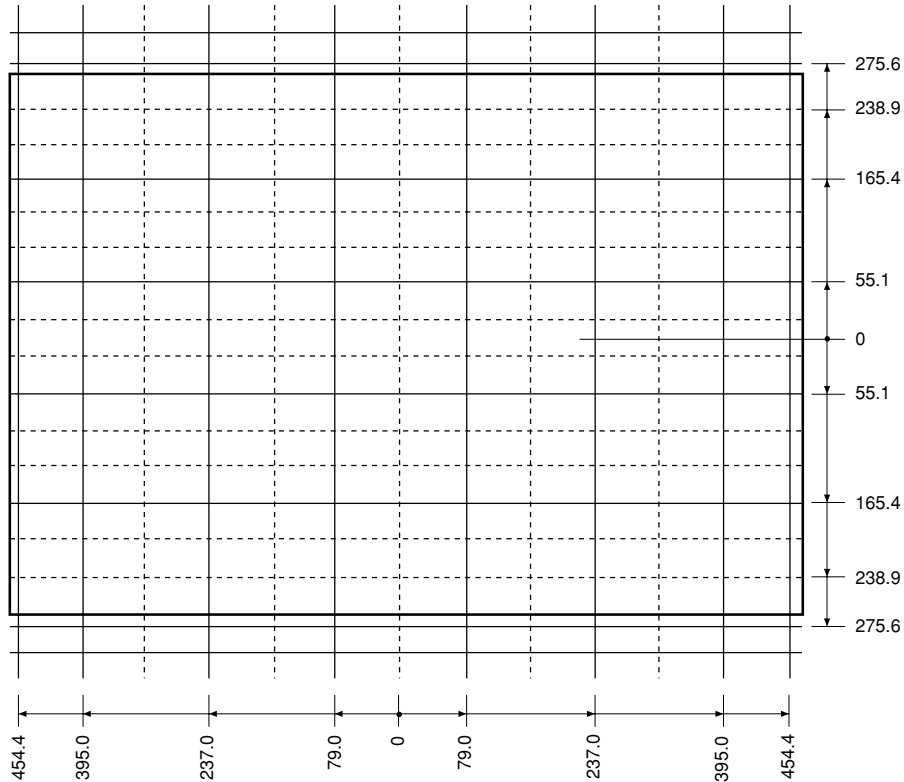


Caution: Do not perform the VLIN adjustment.



### 3-3 Cinema (PAL mode)

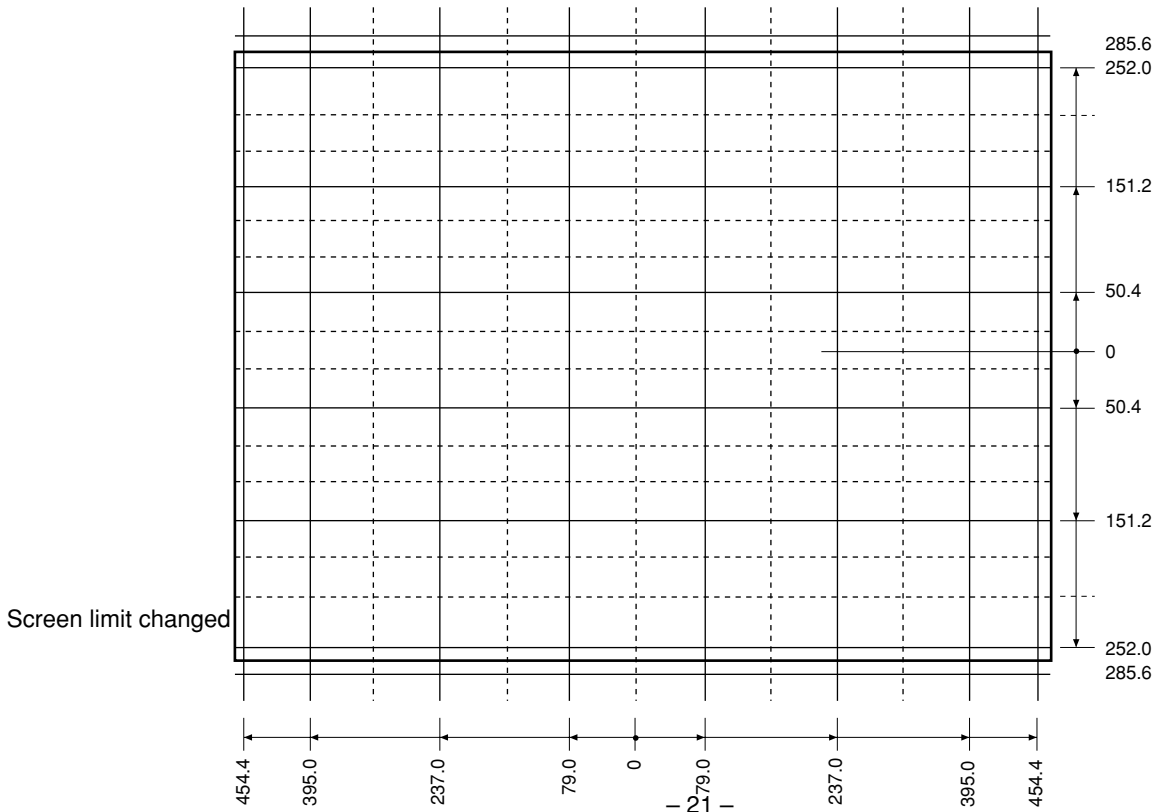
Note: The cursor will move outside the screen limits in the Cinema mode; therefore, be careful to consider the position of the cursor displayed on the screen when making adjustments.



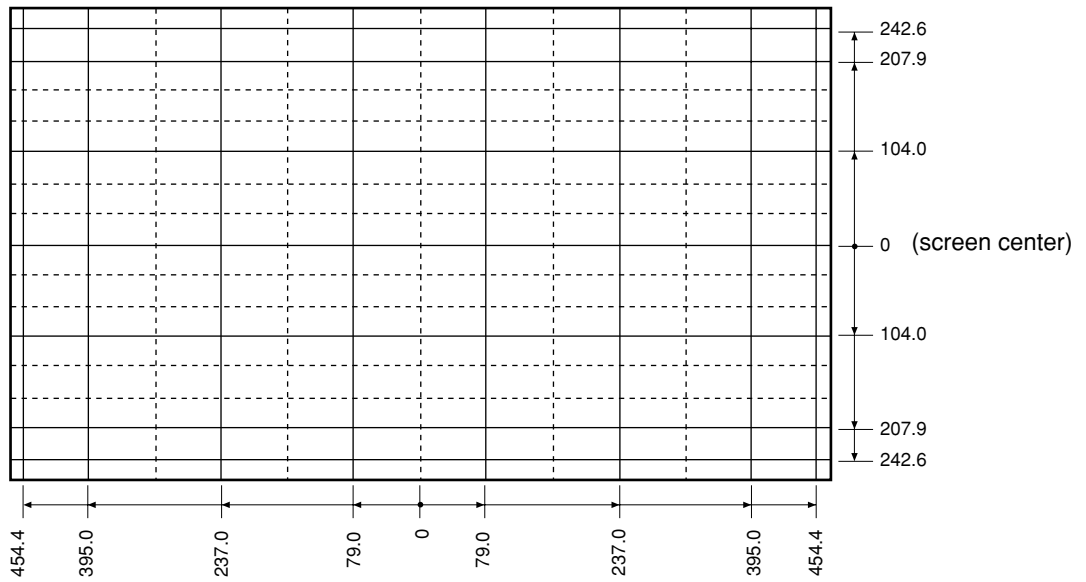
### 3-4 Subtitle (PAL mode)

Note: The cursor will move outside the screen limits in the Subtitle mode; therefore, be careful to consider the position of the cursor displayed on the screen when making adjustments.

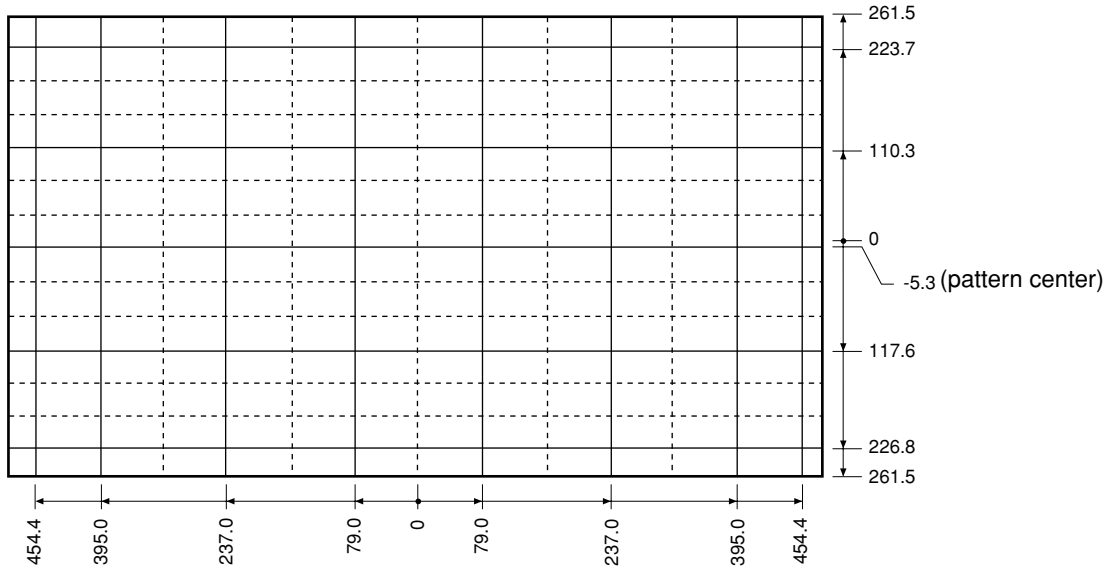
Note: Please be aware that the Subtitle screen convergence pattern center is located at the center of the screen but the image center is located approximately 13mm above that.



3-5 WIDE/4:3 (NTSC mode)



3-6 Super Live (NTSC mode)

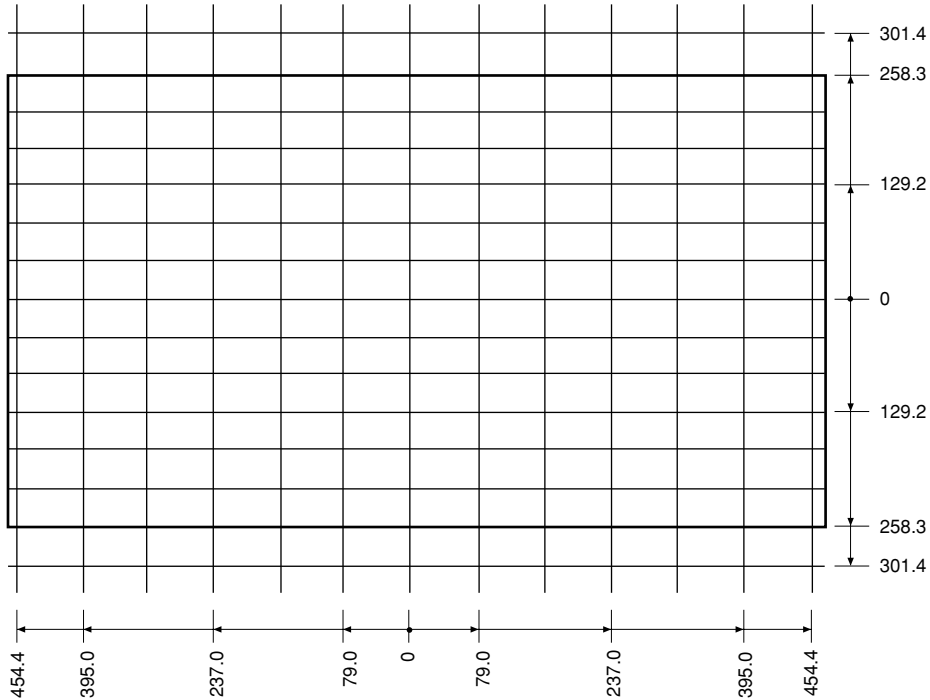


Caution: Do not perform the VLIN adjustment.

**3-7 Cinema (NTSC mode)**

Note: The cursor will move outside the screen limits in the Cinema mode; therefore, be careful to consider the position of the cursor displayed on the screen when making adjustments.

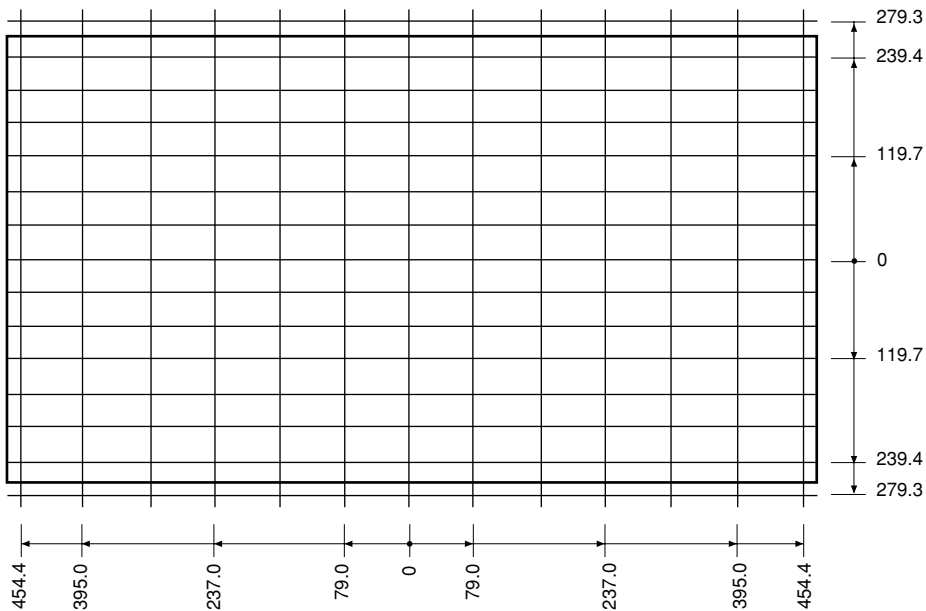
Note: Please be aware that the Cinema screen convergence pattern center is located at the center of the screen but the image center is located approximately 13mm above that.



**3-8 Subtitle (NTSC mode)**

Note: The cursor will move outside the screen limits in the Subtitle mode; therefore, be careful to consider the position of the cursor displayed on the screen when making adjustments.

Note: Please be aware that the Subtitle screen convergence pattern center is located at the center of the screen but the image center is located approximately 32mm above that.



# SCREEN AND MIRROR ALIGNMENTS

## ASSEMBLING AND MOUNTING OF FRONT SCREEN

\* Please refer to MECHANICAL DISASSEMBLY page 29.

### CLEANING OF LENS AND MIRROR

**CAUTION :** Do not hold the optical system parts (lens and mirror) with bare hand to avoid finger-prints on the surface of those parts.

#### HOW TO CLEAN LENS AND MIRROR

1. Be sure to remove sand dust with an air brush, etc.
2. When it is stained slightly, breathe upon it and wipe away with the specified cleaning cloth.  
For other stains than the above, wipe the stains away with the specified cloth into which a cleaning liquid has been soaked.

Cleaning liquid ..... **LENS LUSTER** (Manufactured by Edmund Scientific Co.), etc.

#### HOW TO CLEAN SCREEN

When cleaning the screen, use a soft cloth so as not to damage the screen.

1. Wipe the stain away with a diluted neutral detergent soaked cloth.
2. Wipe the detergent away with a water soaked cloth.
3. Wipe the screen with a dry cloth to remove moisture on the screen.

**Note :** Absolutely do not use alcohol, benzine, thinner, etc. for cleaning in order not to wipe away the black print on the surface.

## CIRCUIT CHECKS

### HIGH VOLTAGE CHECK

**CAUTION:** There is no HIGH VOLTAGE ADJUSTMENT on this chassis. Checking should be done following the steps below.

1. Connect an accurate high voltage meter to the anode of the picture tube.
2. Turn on the receiver. Set the BRIGHTNESS and CONTRAST to minimum (zero beam current).
3. High voltage must be measured below (B) kV.

Refer to table-1 for high voltage (B).  
(See SETTING & ADJUSTING DATA on page 26)

4. Vary the BRIGHTNESS to both extremes to be sure the high voltage does not exceed the limit under any conditions.

### CAUTION:

When the following parts fail, check the High Voltage after replacing.

| Location No. | Name           | Name               |
|--------------|----------------|--------------------|
| T461         | Flyback Trans. | TFB3089AD          |
| C440         | Capacitor      | 2200pF, $\pm 3\%$  |
| C443         | Capacitor      | 4700pF, $\pm 3\%$  |
| C444         | Capacitor      | 8200pF, $\pm 3\%$  |
| C467         | Capacitor      | 12000pF, $\pm 5\%$ |
| C468         | Capacitor      | 12000pF, $\pm 5\%$ |

### ANODE VOLTAGE MEASURING METHOD

**CAUTION:** Take extra precaution when measuring this high voltage. High voltages are also present in surrounding circuit boards (CRT DRIVE assembly, DEFLECTION assembly, and POWER SUPPLY assembly).

1. Disconnect the FBT anode cable as outlined below. Measure high voltage at the point where the cable enters the FBT.
2. Holding the rubber cover firmly, turn it counterclockwise and check that the lock has been disengaged. (See Fig. b on page 8.)
3. Determine the extent of the rubber cover before disconnecting the cable.
4. Pull straight up the anode cable to disconnect.
5. When reconnecting the cable, proceed in the reverse order.  
After reconnecting, tug on the cable to check that it is secure.

## CHAPTER 2 SPECIFIC INFORMATIONS

### SETTING & ADJUSTING DATA

#### 【 SAFETY INSTRUCTIONS 】

|                            |     | 42"       |
|----------------------------|-----|-----------|
| HIGH VOLTAGE AT ZERO BEAM: | (A) | 33.3 kV   |
| MAX HIGH VOLTAGE:          | (B) | 34.5 kV   |
| AC VOLTAGE                 | (C) | 220~240 V |

Table-1

#### 【 SERVICE MODE 】

##### ADJUSTING ITEMS AND DATAS IN THE SERVICE MODE:

| Item | Adjustment          | Reference data | Item | Adjustment          | Reference data |
|------|---------------------|----------------|------|---------------------|----------------|
| RCUT | R CUTOFF (B/W)      | 40H            | VPOS | V-POSITION          | 02H            |
| GCUT | G CUTOFF (B/W)      | 40H            | HIT  | HEIGHT              | 2EH            |
| BCUT | B CUTOFF (B/W)      | 40H            | GMPS | V-POSITION (RASTER) | 00H            |
| RDRV | R DRIVE             | 40H            | VLIN | V-LINEARITY         | 0FH            |
| BDRV | B DRIVE             | 40H            | VSC  | V-S CORRECTION      | 10H            |
| CNTX | SUB CONTRAST MAX    | 7FH            | VPS  | V-SHIFT             | 18H            |
| BRTC | SUB BRIGHT CEN      | 80H            | VCP  | V-COMPENSATION      | 0AH            |
| COLC | SUB COLOR CEN NTSC  | 02H            | WID  | PICTURE WIDTH       | 2BH            |
| TNTC | SUB TINT CEN        | 1EH            | PARA | E-W PARABOLA        | 1CH            |
| COLP | SUB COLOR CEN PAL   | 05H            | CNR  | E-W CORNER          | 08H            |
| COLS | SUB COLOR CEN SECAM | 08H            | TRAP | TRAPEZIUM           | 10H            |
| COLD | SUB COLOR CEN DTV   | 41H            | HCP  | H-COMPENSATION      | 00H            |
| SCNT | SUB CONTRAST        | 08H            | VFC  | V-F CORRECTION      | 00H            |
| SRY  | SECAM R-Y           | 07H            | VCEN | V-POSITION (RASTER) | 80H            |
| SBY  | SECAM B-Y           | 04H            | VCE1 | CINEMA              | 00H            |
| HPOS | 50Hz H-POSITION     | 14H            | VCE2 | STTL/14:9           | 00H            |

Table-2

#### 【 DESIGN MODE 】

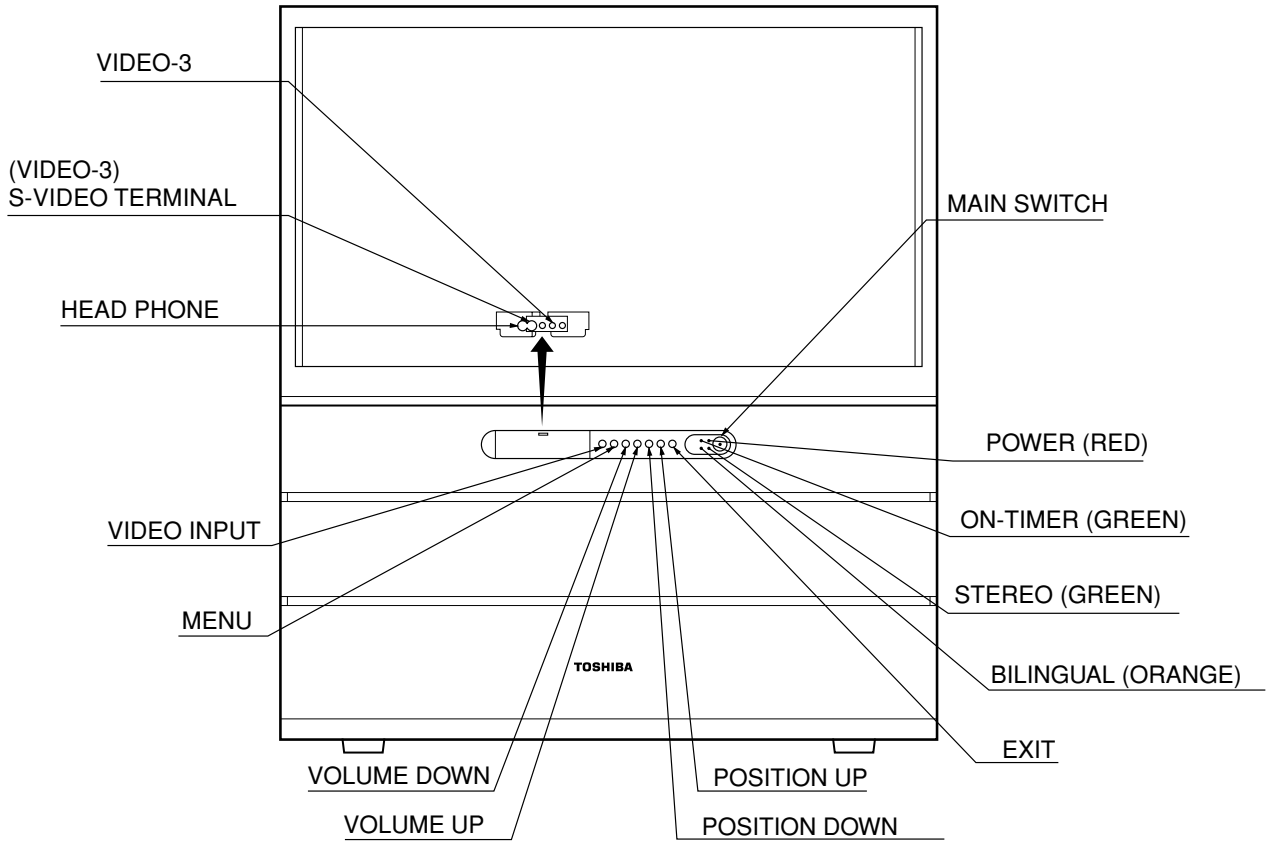
##### ADJUSTING ITEMS AND DATAS IN THE DESIGN MODE:

| Item | Name of adjustment | Preset Data | 42" | Remarks |
|------|--------------------|-------------|-----|---------|
| OPT0 | OPTION 0           | 80H         | 80H |         |
| OPT1 | OPTION 1           | 4CH         | 4CH |         |
| OPT2 | OPTION 2           | 20H         | 20H |         |
| OPT3 | OPTION 3           | 00H         | 00H |         |
| OPT4 | OPTION 4           | 01H         | 01H |         |

Table-3

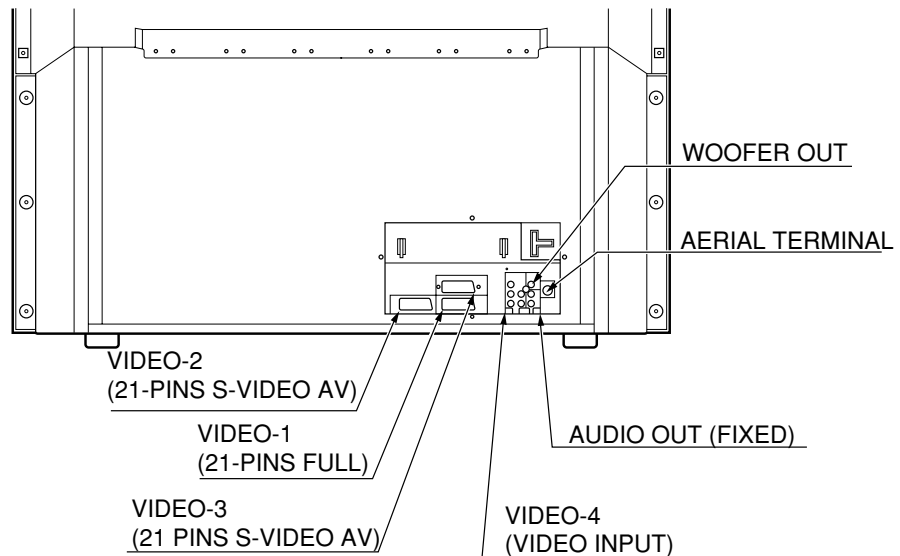
# LOCATION OF CONTROLS

Front

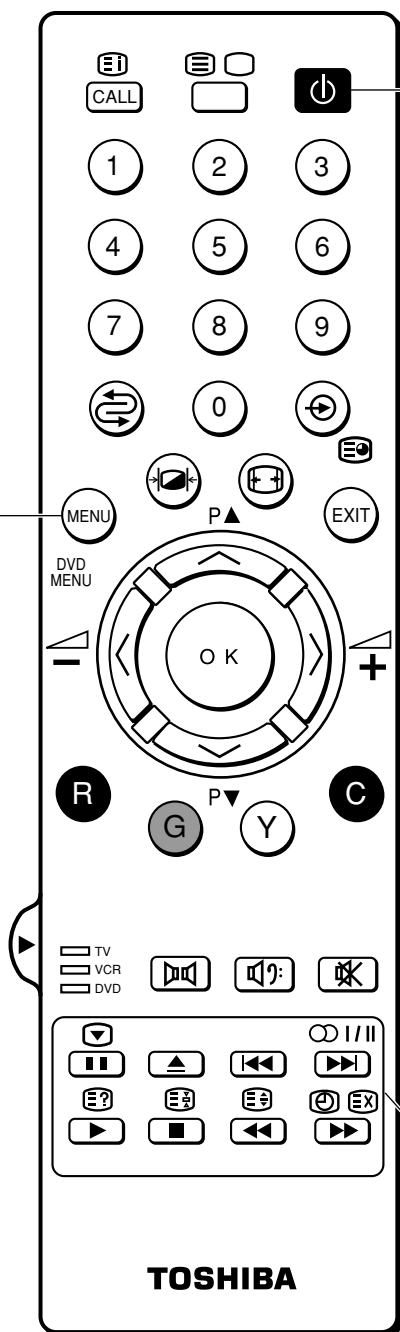


SPECIFIC INFORMATIONS

Back



## Remote Controller



Power Key: TV, VCR, DVD

MENU & Cursor: TV, DVD

Switched TV Mode  
VCR Mode  
DVD Mode

### 1. TEXT Sub Function

<HOLD, REVEAL, F-T-B, TIME/TXCL, SUB PAGE>



----- Only TV mode operation

### 2. VCR & DVD Common

<Power, Play, Stop, Pause, Eject,>



FF, REV, Skip - FWD, Skip - REV>

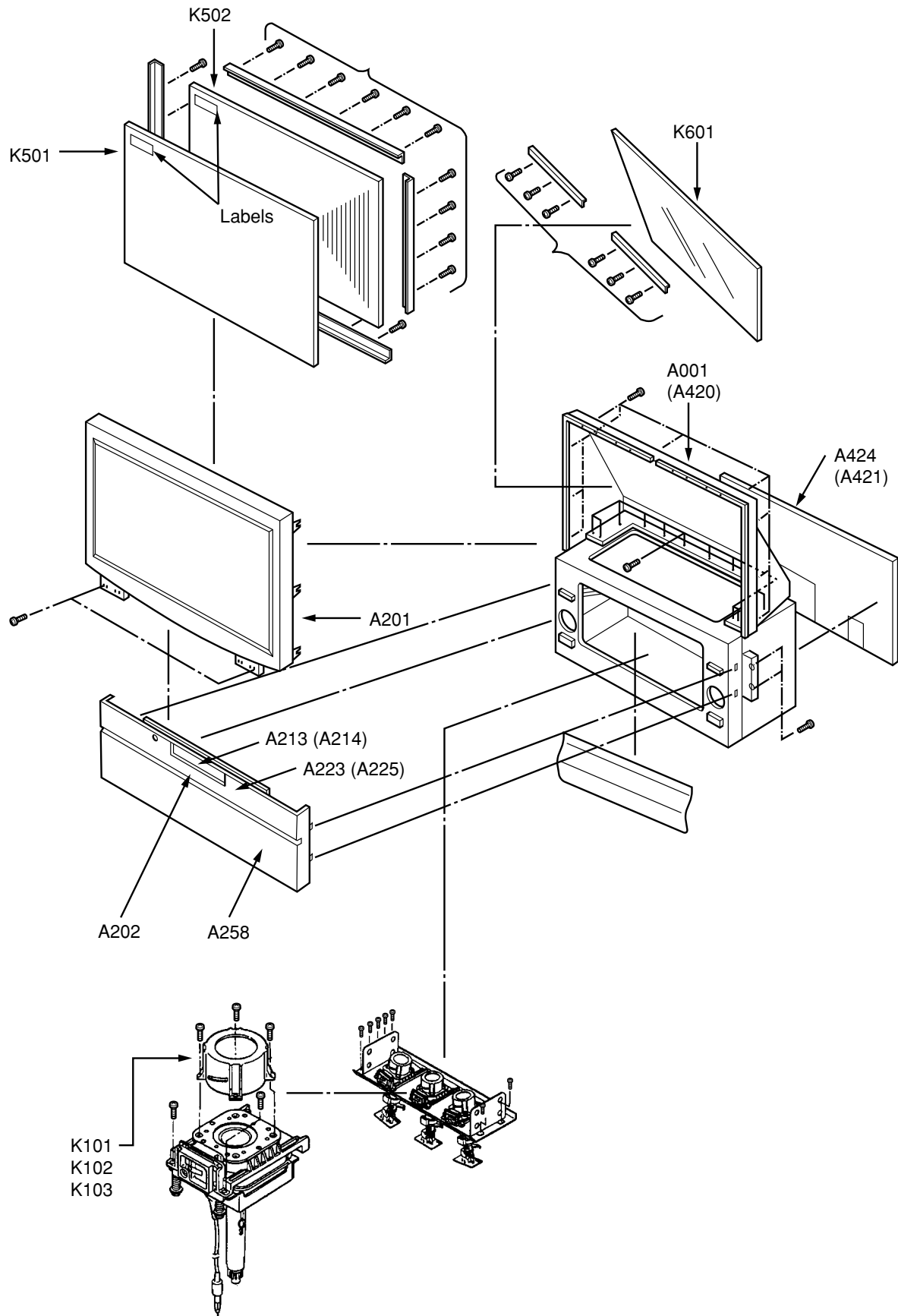


### 3. Key Name (by special characters)

- ⏻ ----- Power ON - Standby
- ⌂ ----- TEXT INDEX
- ☰ ----- TEXT / TV
- ⏪ ----- VIDEO INPUT
- 🖼️ ----- SELECTABLE PICTURE
- 🔇 ----- MUTE
- + / - ----- VOLUME +, -
- ▲ / ▼ ----- POSITION(CH.) Up/Down
- 📏 ----- Size
- 📄 ----- STILL PICTURE
- 🔊 ----- Sub Woofer
- 🔊 ----- SURROUND
- 🎧 ----- Stereo Bilingual
- ⏮ ----- Previous Ch.
- i ----- INFO.



# MECHANICAL DISASSEMBLY



# CHASSIS AND CABINET REPLACEMENT PARTS LIST

**WARNING:** BEFORE SERVICING THIS CHASSIS, READ THE "X-RAY RADIATION PRECAUTION", "SAFETY PRECAUTION" AND "PRODUCT SAFETY NOTICE" ON PAGE 3 OF THIS MANUAL.

**CAUTION:** The international hazard symbols "⚠" in the schematic diagram and the parts list designate components which have special characteristics important for safety and should be replaced only with types identical to those in the original circuit or specified in the parts list. The mounting position of replacements is to be identical with originals. Before replacing any of these components, read carefully the PRODUCT SAFETY NOTICE . Do not degrade the safety of the receiver through improper servicing.

**NOTICE:**

- The part number must be used when ordering parts, in order to assist in processing, be sure to include the Model number and Description.
- The PC board assembly with \* mark is no longer available after the end of the production.

**ABBREVIATIONS:**

Capacitors ..... CD : Ceramic Disk      PF : Plastic Film      EL : Electrolytic  
 Resistors ..... CF : Carbon Film      CC : Carbon Composition      MF : Metal Film  
                          OMF : Oxide Metal Film      VR : Variable Resistor      FR : Fusible Resistor  
 (All CD and PF capacitors are ±5%, 50V and all resistors, ±5%, 1/6W unless otherwise noted.)

**Models : 42PW23P**

SPECIFIC INFORMATIONS

| Location No.      | Parts No. | Description                            |
|-------------------|-----------|--|
| <b>CAPACITORS</b> |           |  |
| C102              | 24793221  | ELECTROLYTIC, 10V 220UF M              |
| C105              | 24109102  | CERAMIC CHIP, 50V B 1000PF K           |
| C106              | 24797100  | ELECTROLYTIC, 50V 10UF M               |
| C108              | 24793221  | ELECTROLYTIC, 10V 220UF M              |
| C109              | 24109103  | CERAMIC CHIP, 50V B 10000PF K          |
| C115              | 24109103  | CERAMIC CHIP, 50V B 10000PF K          |
| C160              | 24567224  | PLASTIC FILM, 50V 0.22UF J             |
| C170              | 24567104  | PLASTIC FILM, 50V 0.1UF J              |
| C201              | 24092730  | CERAMIC CHIP, 16V B 0.1UF K            |
| C202              | 24109103  | CERAMIC CHIP, 50V B 10000PF K          |
| C204              | 24669010  | ELECTROLYTIC, 50V 1.0UF M 3A           |
| C205              | 24797229  | ELECTROLYTIC, 50V 2.2UF M              |
| C206              | 24794220  | ELECTROLYTIC, 16V 22UF M               |
| C212              | 24794100  | ELECTROLYTIC, 16V 10UF M               |
| C214              | 24503047  | PLASTIC FILM, 63V 0.33UF J             |
| C219              | 24105100  | CERAMIC CHIP, 50V CH 10PF D            |
| C220              | 24763101  | ELECTROLYTIC, 16V 100UF M              |
| C221              | 24105100  | CERAMIC CHIP, 50V CH 10PF D            |
| C222              | 24105100  | CERAMIC CHIP, 50V CH 10PF D            |
| C261              | 24794101  | ELECTROLYTIC, 16V 100UF M              |
| C262              | 24109103  | CERAMIC CHIP, 50V B 10000PF K          |
| C263              | 24085967  | ELECTROLYTIC, NONPOLAR, 16V 47UF M 11L |
| C264              | 24794100  | ELECTROLYTIC, 16V 10UF M               |
| C265              | 24085967  | ELECTROLYTIC, NONPOLAR, 16V 47UF M 11L |
| C266              | 24794100  | ELECTROLYTIC, 16V 10UF M               |
| C301              | 24092730  | CERAMIC CHIP, 16V B 0.1UF K            |
| C302              | 24092753  | CERAMIC CHIP, 10V B 220NF K            |
| C304              | 24092730  | CERAMIC CHIP, 16V B 0.1UF K            |
| C305              | 24092730  | CERAMIC CHIP, 16V B 0.1UF K            |
| C306              | 24105102  | CERAMIC CHIP, 25V CH 1000PF J          |
| C307              | 24567225  | PLASTIC FILM, 50V 2.2UF J              |
| C308              | 24092733  | CERAMIC CHIP, 50V B 22000PF K          |
| C309              | 24105102  | CERAMIC CHIP, 25V CH 1000PF J          |
| C310              | 24669101  | ELECTROLYTIC, 50V 100UF M 3A           |
| C311              | 24109103  | CERAMIC CHIP, 50V B 10000PF K          |
| C312              | 24105102  | CERAMIC CHIP, 25V CH 1000PF J          |

| Location No. | Parts No. | Description                        |
|--------------|-----------|------------------------------------|
| C313         | 24666101  | ELECTROLYTIC, 16V 100UF M 3A       |
| C314         | 24092730  | CERAMIC CHIP, 16V B 0.1UF K        |
| C315         | 24666102  | ELECTROLYTIC, 16V 1000UF M 3A      |
| C316         | 24666102  | ELECTROLYTIC, 16V 1000UF M 3A      |
| C317         | 24109222  | CERAMIC CHIP, 50V B 2200PF K       |
| C318         | 24109222  | CERAMIC CHIP, 50V B 2200PF K       |
| C319         | 24092785  | CERAMIC CHIP, 10V B 0.47UF K       |
| C320         | 24669101  | ELECTROLYTIC, 50V 100UF M 3A       |
| C321         | 24669101  | ELECTROLYTIC, 50V 100UF M 3A       |
| C322         | 24109473  | CERAMIC CHIP, 25V B 47000PFK       |
| C323         | 24109473  | CERAMIC CHIP, 25V B 47000PFK       |
| C324         | 24669101  | ELECTROLYTIC, 50V 100UF M 3A       |
| C325         | 24503045  | PLASTIC FILM, 63V 0.22UF J         |
| C326         | 24092785  | CERAMIC CHIP, 10V B 0.47UF K       |
| C327         | 24092753  | CERAMIC CHIP, 10V B 220NF K        |
| C328         | 24082260  | PLASTIC FILM, 100V 4700PF J        |
| C329         | 24669100  | ELECTROLYTIC, 50V 10UF M 3A        |
| C330         | 24085946  | ELEC. NONPOLAR, 16V 10UF M 3A      |
| C332         | 24669221  | ELECTROLYTIC CE04Q 50V 220UF M 3A  |
| C333         | 24693473  | PLASTIC FILM, 100V 0.047UF J       |
| C334         | 24109471  | CERAMIC CHIP, 50V B 470PF K        |
| C335         | 24092730  | CERAMIC CHIP, 16V B 0.1UF K        |
| C336         | 24109473  | CERAMIC CHIP, 25V B 47000PFK       |
| C338         | 24666330  | ELECTROLYTIC, 16V 33UF M 3A        |
| C339         | 24667101  | ELECTROLYTIC, 25V 100UF M 3A       |
| C340         | 24666330  | ELECTROLYTIC, 16V 33UF M 3A        |
| C370         | 24669229  | ELECTROLYTIC, 50V 2.2UF M 3A       |
| C371         | 24092730  | CERAMIC CHIP, 16V B 0.1UF K        |
| C401         | 24214821  | CERAMIC DISC, 500V B 820PF K       |
| C402         | 24214391  | CERAMIC DISC, 500V B 390PF K       |
| C404         | 24212152  | CERAMIC DISC, 50V B 1500PF K       |
| C405         | 24503042  | PLASTIC FILM, 63V 0.12UF J         |
| C406         | 24678100  | ELECTROLYTIC, 200V 10UF M 3A       |
| C412         | 24828823  | PLASTIC FILM CQ92 T 200V 82000PF J |
| C415         | 24092484  | CERAMIC DISC, 2KV B 1500PF K       |
| C416         | 24828333  | PLASTIC FILM, 200V 33000PF J       |
| C417         | 24679229  | ELECTROLYTIC, 250V 2.2UF M 3A      |
| △ C423       | 24503281  | MT PLA CAP T 400V 474J             |
| C426         | 24211222  | CERAMIC DISC, 2KV B 2200PFK        |

| Location No. | Parts No. | Description                     |
|--------------|-----------|---------------------------------|
| C432         | 24567223  | PLASTIC FILM, 50V 22000PF J     |
| C433         | 24567473  | PLASTIC FILM, 50V 47000PF J     |
| C440         | 24082823  | PLASTIC FILM, 1800VH 1500PF H   |
| △ C443       | 24503146  | PLASTIC FILM, 1500VH 4700PF H   |
| C444         | 24082944  | PLASTIC FILM, 1500VH 3900PF H   |
| C445         | 24828473  | PLASTIC FILM, 200V 47000PF J    |
| C446         | 24679330  | ELECTROLYTIC, 250V 33UF M 3A    |
| C448         | 24640908  | ELECTROLYTIC, 160V 33UF M 3A LI |
| C449         | 24214221  | CERAMIC DISC, 500V B 220PF K    |
| C460         | 24679479  | ELECTROLYTIC, 250V 4.7UF M 3A   |
| C463         | 24109103  | CERAMIC CHIP, 50V B 10000PF K   |
| △ C464       | 24503149  | PLASTIC FILM, 250V 3.3UF K      |
| C465         | 24109103  | CERAMIC CHIP, 50V B 10000PF K   |
| C466         | 24109472  | CERAMIC CHIP, 50V B 4700PF K    |
| C467         | 24820123  | PLASTIC FILM, 630V 0.012UF J    |
| C468         | 24820123  | PLASTIC FILM, 630V 0.012UF J    |
| C481         | 24666101  | ELECTROLYTIC, 16V 100UF M 3A    |
| C482         | 24092733  | CERAMIC CHIP, 50V B 22000PF K   |
| C483         | 24092733  | CERAMIC CHIP, 50V B 22000PF K   |
| C484         | 24109102  | CERAMIC CHIP, 50V B 1000PF K    |
| C491         | 24666100  | ELECTROLYTIC, 10V 10UF M 3A     |
| C497         | 24503049  | PLASTIC FILM, 63V 0.47UF J      |
| C498         | 24669479  | ELECTROLYTIC, 50V 4.7UF M 3A    |
| C501         | 24100104  | CERAMIC CHIP, 25V F 100000PF Z  |
| C502         | 24100104  | CERAMIC CHIP, 25V F 100000PF Z  |
| C503         | 24669470  | ELECTROLYTIC, 50V 47UF M 3A     |
| C504         | 24109103  | CERAMIC CHIP, 50V B 10000PF K   |
| C505         | 24669470  | ELECTROLYTIC, 50V 47UF M 3A     |
| C506         | 24109103  | CERAMIC CHIP, 50V B 10000PF K   |
| C507         | 24100104  | CERAMIC CHIP, 25V F 100000PF Z  |
| C508         | 24100104  | CERAMIC CHIP, 25V F 100000PF Z  |
| C509         | 24100104  | CERAMIC CHIP, 25V F 100000PF Z  |
| C511         | 24100104  | CERAMIC CHIP, 25V F 100000PF Z  |
| C512         | 24100104  | CERAMIC CHIP, 25V F 100000PF Z  |
| C513         | 24109103  | CERAMIC CHIP, 50V B 10000PF K   |
| C514         | 24794470  | ELECTROLYTIC, 16V 47UF M        |
| C516         | 24105100  | CERAMIC CHIP, 50V CH 10PF D     |
| C517         | 24797478  | ELECTROLYTIC, 50V 0.47UF M      |
| C519         | 24669479  | ELECTROLYTIC, 50V 4.7UF M 3A    |
| C521         | 24092733  | CERAMIC CHIP, 50V B 22000PF K   |
| C522         | 24109103  | CERAMIC CHIP, 50V B 10000PF K   |
| C523         | 24100104  | CERAMIC CHIP, 25V F 100000PF Z  |
| C524         | 24109103  | CERAMIC CHIP, 50V B 10000PF K   |
| C525         | 24567104  | PLASTIC FILM, 50V 0.1UF J       |
| C526         | 24109103  | CERAMIC CHIP, 50V B 10000PF K   |
| C527         | 24797229  | ELECTROLYTIC, 50V 2.2UF M       |
| C531         | 24100104  | CERAMIC CHIP, 25V F 100000PF Z  |
| C532         | 24100104  | CERAMIC CHIP, 25V F 100000PF Z  |
| C533         | 24100104  | CERAMIC CHIP, 25V F 100000PF Z  |
| C534         | 24100104  | CERAMIC CHIP, 25V F 100000PF Z  |
| C536         | 24100104  | CERAMIC CHIP, 25V F 100000PF Z  |
| C537         | 24100104  | CERAMIC CHIP, 25V F 100000PF Z  |
| C540         | 24100104  | CERAMIC CHIP, 25V F 100000PF Z  |
| C541         | 24100104  | CERAMIC CHIP, 25V F 100000PF Z  |
| C542         | 24100104  | CERAMIC CHIP, 25V F 100000PF Z  |
| C601         | 24797010  | ELECTROLYTIC, 50V 1UF M         |
| C602         | 24797010  | ELECTROLYTIC, 50V 1UF M         |
| C603         | 24591102  | PLASTIC FILM, 50V 1000PF J      |
| C604         | 24591102  | PLASTIC FILM, 50V 1000PF J      |
| C605         | 24669010  | ELECTROLYTIC, 50V 1.0UF M 3A    |
| C606         | 24669010  | ELECTROLYTIC, 50V 1.0UF M 3A    |
| C607         | 24667470  | ELECTROLYTIC, 25V 47UF M 3A     |
| C608         | 24667470  | ELECTROLYTIC, 25V 47UF M 3A     |
| C609         | 24667470  | ELECTROLYTIC, 25V 47UF M 3A     |
| C610         | 24669479  | ELECTROLYTIC, 50V 4.7UF M 3A    |

| Location No. | Parts No. | Description                        |
|--------------|-----------|------------------------------------|
| C612         | 24669102  | ELECTROLYTIC CE04Q 50V 1000UF M 3A |
| C613         | 24503042  | PLASTIC FILM, 63V 0.12UF J         |
| C614         | 24503042  | PLASTIC FILM, 63V 0.12UF J         |
| C615         | 24669102  | ELECTROLYTIC CE04Q 50V 1000UF M 3A |
| C616         | 24669102  | ELECTROLYTIC CE04Q 50V 1000UF M 3A |
| C617         | 24669220  | ELECTROLYTIC, 50V 22UF M 3A        |
| C618         | 24797478  | ELECTROLYTIC, 50V 0.47UF M         |
| C619         | 24794471  | ELECTROLYTIC, 16V 470UF M          |
| C621         | 24797220  | ELECTROLYTIC, 50V 22UF M           |
| C622         | 24591103  | PLASTIC FILM, 50V 0.01MF J         |
| C624         | 24794100  | ELECTROLYTIC, 16V 10UF M           |
| C626         | 24797478  | ELECTROLYTIC, 50V 0.47UF M         |
| C627         | 24797220  | ELECTROLYTIC, 50V 22UF M           |
| C628         | 24797100  | ELECTROLYTIC, 50V 10UF M           |
| C629         | 24591124  | PLASTIC FILM, 50V 0.12UF J         |
| C631         | 24797220  | ELECTROLYTIC, 50V 22UF M           |
| C633         | 24795221  | ELECTROLYTIC, 25V 220UF M          |
| C634         | 24765101  | ELECTROLYTIC, 35V 100UF M          |
| C636         | 24797100  | ELECTROLYTIC, 50V 10UF M           |
| C639         | 24793101  | ELECTROLYTIC, 10V 100UF M          |
| C700         | 24353151  | CERAMIC DISC CC45CH 50V 150PF J    |
| C701         | 24105330  | CERAMIC CHIP, 50V CH 33PF J        |
| C702         | 24105330  | CERAMIC CHIP, 50V CH 33PF J        |
| C703         | 24105330  | CERAMIC CHIP, 50V CH 33PF J        |
| C704         | 24105330  | CERAMIC CHIP, 50V CH 33PF J        |
| C705         | 24100104  | CERAMIC CHIP, 25V F 100000PF Z     |
| C706         | 24100104  | CERAMIC CHIP, 25V F 100000PF Z     |
| C707         | 24100104  | CERAMIC CHIP, 25V F 100000PF Z     |
| C708         | 24100104  | CERAMIC CHIP, 25V F 100000PF Z     |
| C710         | 24100104  | CERAMIC CHIP, 25V F 100000PF Z     |
| C711         | 24203100  | ELECTROLYTIC, 16V 10UF M 7L 3A     |
| C712         | 24105330  | CERAMIC CHIP, 50V CH 33PF J        |
| C713         | 24105330  | CERAMIC CHIP, 50V CH 33PF J        |
| C714         | 24100104  | CERAMIC CHIP, 25V F 100000PF Z     |
| C715         | 24092730  | CERAMIC CHIP, 16V B 0.1UF K        |
| C716         | 24092730  | CERAMIC CHIP, 16V B 0.1UF K        |
| C717         | 24105470  | CERAMIC CHIP, 50V CH 47PF J        |
| C718         | 24105470  | CERAMIC CHIP, 50V CH 47PF J        |
| C719         | 24794101  | ELECTROLYTIC, 16V 100UF M          |
| C720         | 24100104  | CERAMIC CHIP, 25V F 100000PF Z     |
| C721         | 24105070  | CERAMIC CHIP CC73CH 50V 7PF D      |
| C724         | 24100104  | CERAMIC CHIP, 25V F 100000PF Z     |
| C725         | 24100104  | CERAMIC CHIP, 25V F 100000PF Z     |
| C726         | 24100104  | CERAMIC CHIP, 25V F 100000PF Z     |
| C727         | 24100104  | CERAMIC CHIP, 25V F 100000PF Z     |
| C730         | 24100104  | CERAMIC CHIP, 25V F 100000PF Z     |
| C731         | 24100104  | CERAMIC CHIP, 25V F 100000PF Z     |
| C732         | 24109103  | CERAMIC CHIP, 50V B 10000PF K      |
| C735         | 24092730  | CERAMIC CHIP, 16V B 0.1UF K        |
| C736         | 24100104  | CERAMIC CHIP, 25V F 100000PF Z     |
| C739         | 24100104  | CERAMIC CHIP, 25V F 100000PF Z     |
| C740         | 24100104  | CERAMIC CHIP, 25V F 100000PF Z     |
| C741         | 24794470  | ELECTROLYTIC, 16V 47UF M           |
| C742         | 24794470  | ELECTROLYTIC, 16V 47UF M           |
| C743         | 24100104  | CERAMIC CHIP, 25V F 100000PF Z     |
| C744         | 24100104  | CERAMIC CHIP, 25V F 100000PF Z     |
| C745         | 24794470  | ELECTROLYTIC, 16V 47UF M           |
| C746         | 24794470  | ELECTROLYTIC, 16V 47UF M           |
| C747         | 24100104  | CERAMIC CHIP, 25V F 100000PF Z     |
| C748         | 24100104  | CERAMIC CHIP, 25V F 100000PF Z     |
| C749         | 24794470  | ELECTROLYTIC, 16V 47UF M           |
| C750         | 24794470  | ELECTROLYTIC, 16V 47UF M           |
| C761         | 24105102  | CERAMIC CHIP, 25V CH 1000PF J      |
| C762         | 24590562  | PLASTIC FILM CQ922M 50V 5600PF J   |
| C763         | 24105391  | CERAMIC CHIP CC73CH 50V 390pF J    |

| Location No. | Parts No. | Description                        |
|--------------|-----------|------------------------------------|
| C765         | 24105102  | CERAMIC CHIP, 25V CH 1000PF J      |
| C766         | 24590562  | PLASTIC FILM CQ922M 50V 5600PF J   |
| C767         | 24105391  | CERAMIC CHIP CC73CH 50V 390pF J    |
| C769         | 24105102  | CERAMIC CHIP, 25V CH 1000PF J      |
| C770         | 24590562  | PLASTIC FILM CQ922M 50V 5600PF J   |
| C771         | 24105391  | CERAMIC CHIP CC73CH 50V 390pF J    |
| C772         | 24761221  | ELECTROLYTIC CE04G 6.3V 220UF M    |
| C773         | 24105102  | CERAMIC CHIP, 25V CH 1000PF J      |
| C774         | 24590562  | PLASTIC FILM CQ922M 50V 5600PF J   |
| C775         | 24105391  | CERAMIC CHIP CC73CH 50V 390pF J    |
| C777         | 24105102  | CERAMIC CHIP, 25V CH 1000PF J      |
| C778         | 24590562  | PLASTIC FILM CQ922M 50V 5600PF J   |
| C779         | 24105391  | CERAMIC CHIP CC73CH 50V 390pF J    |
| C781         | 24105102  | CERAMIC CHIP, 25V CH 1000PF J      |
| C782         | 24590562  | PLASTIC FILM CQ922M 50V 5600PF J   |
| C783         | 24105391  | CERAMIC CHIP CC73CH 50V 390pF J    |
| C784         | 24105821  | CERAMIC CHIP CC73CH 25V 820PF J    |
| C785         | 24105821  | CERAMIC CHIP CC73CH 25V 820PF J    |
| C786         | 24105821  | CERAMIC CHIP CC73CH 25V 820PF J    |
| C787         | 24105821  | CERAMIC CHIP CC73CH 25V 820PF J    |
| C788         | 24105821  | CERAMIC CHIP CC73CH 25V 820PF J    |
| C789         | 24105821  | CERAMIC CHIP CC73CH 25V 820PF J    |
| C795         | 24761221  | ELECTROLYTIC CE04G 6.3V 220UF M    |
| C798         | 24763101  | ELECTROLYTIC, 16V 100UF M          |
| C799         | 24763101  | ELECTROLYTIC, 16V 100UF M          |
| △ C801       | 24503055  | PLASTIC FILM, AC275V 0.22UF M      |
| △ C802       | 24092569  | CERAMIC DISC, AC250V E 2200PF M    |
| C803         | 24092569  | CERAMIC DISC, AC250V E 2200PF M    |
| C804         | 24092558  | CERAMIC DISC CK45B AC250V 3300PF M |
| C810         | 24086935  | 400V 560M35F 400V 560UF M 35F      |
| △ C811       | 24092281  | CERAMIC DISC, AC250V E 4700PF      |
| C813         | 24092281  | CERAMIC DISC, AC250V E 4700PF      |
| C816         | 24073081  | ELECTROLYTIC, 50V 1.0UF M 3A       |
| C819         | 24503051  | MT PLA CAP 63V 0.68UF J            |
| C820         | 24503055  | PLASTIC FILM, AC275V 0.22UF M      |
| △ C821       | 24503115  | PLASTIC FILM CQ92 T 800V 22000PF J |
| C823         | 24667221  | ELECTROLYTIC, 25V 220UF M 3A       |
| C824         | 24667221  | ELECTROLYTIC, 25V 220UF M 3A       |
| C829         | 24214103  | CERAMIC DISC, 500V B 10000PF K     |
| C830         | 24669100  | ELECTROLYTIC, 50V 10UF M 3A        |
| C831         | 24073037  | ELECTROLYTIC, 16V 47UF M 3A        |
| C834         | 24669100  | ELECTROLYTIC, 50V 10UF M 3A        |
| C835         | 24073015  | ELECTROLYTIC, 10V 47UF M 3A        |
| C840         | 24667102  | ELECTROLYTIC CE04Q 25V 1000UF M 3A |
| C841         | 24503053  | PLASTIC FILM, 63V 1UF J            |
| C842         | 24664101  | ELECTROLYTIC, 6.3V 100UF M 3A      |
| C857         | 24073060  | ELECTROLYTIC, 25V 4700UF M 3A      |
| C858         | 24073060  | ELECTROLYTIC, 25V 4700UF M 3A      |
| C859         | 24073057  | ELECTROLYTIC, 25V 1000UF M 3A      |
| C863         | 24503045  | PLASTIC FILM, 63V 0.22UF J         |
| C864         | 24092474  | CERAMIC DISC, 2KV B 220PF K        |
| C866         | 24503049  | PLASTIC FILM, 63V 0.47UF J         |
| C867         | 24591682  | PLASTIC FILM, 50V 6800PF J         |
| C868         | 24668470  | ELECTROLYTIC, 35V 47UF M 3A        |
| C869         | 24678229  | ELECTROLYTIC, 200V 2.2UF M 3A      |
| △ C870       | 24503122  | PLASTIC FILM, 800V 82000PF J       |
| C871         | 24092484  | CERAMIC DISC, 2KV B 1500PF K       |
| C872         | 24092474  | CERAMIC DISC, 2KV B 220PF K        |
| C873         | 24503045  | PLASTIC FILM, 63V 0.22UF J         |
| C875         | 24212471  | CERAMIC DISC, 50V B 470PF K        |
| C876         | 24503049  | PLASTIC FILM, 63V 0.47UF J         |
| C879         | 24073081  | ELECTROLYTIC, 50V 1.0UF M 3A       |
| C880         | 24092338  | CERAMIC DISC, 2KV R 270PF K        |
| C881         | 24092338  | CERAMIC DISC, 2KV R 270PF K        |
| C884         | 24086939  | ELECTROLYTIC, 200V 330UF M22B      |

| Location No. | Parts No. | Description                        |
|--------------|-----------|------------------------------------|
| C890         | 24073096  | ELECTROLYTIC, 50V 3300UF M 3A      |
| C891         | 24082229  | PLASTIC FILM, 250V 0.1MF D         |
| C894         | 24073043  | ELECTROLYTIC CE04P 16V 2200UF M 3A |
| C895         | 24073043  | ELECTROLYTIC CE04P 16V 2200UF M 3A |
| C898         | 24503041  | PLASTIC FILM , 63V 0.1UF J         |
| C901         | 24211102  | CERAMIC DISC, 2KV B 1000PF K       |
| C902         | 24794100  | ELECTROLYTIC, 16V 10UF M           |
| C904         | 24436561  | CERAMIC DISC, 50V SL 560PF J       |
| C905         | 24214102  | CERAMIC DISC, 500V B 1000PF K      |
| C911         | 24211102  | CERAMIC DISC, 2KV B 1000PF K       |
| C912         | 24794100  | ELECTROLYTIC, 16V 10UF M           |
| C914         | 24436821  | CERAMIC DISC CC45SL 50V 820PF J    |
| C915         | 24679330  | ELECTROLYTIC, 250V 33UF M 3A       |
| C916         | 24794101  | ELECTROLYTIC, 16V 100UF M          |
| C921         | 24211102  | CERAMIC DISC, 2KV B 1000PF K       |
| C922         | 24794100  | ELECTROLYTIC, 16V 10UF M           |
| C926         | 24436681  | CERAMIC DISC, 50V SL 680PF J       |
| C941         | 24797478  | ELECTROLYTIC, 50V 0.47UF M         |
| C943         | 24667102  | ELECTROLYTIC CE04Q 25V 1000UF M 3A |
| C944         | 24206100  | ELECTROLYTIC, 50V 10UF M 7L 3A     |
| C961         | 24666101  | ELECTROLYTIC, 16V 100UF M 3A       |
| C962         | 24203100  | ELECTROLYTIC, 16V 10UF M 7L 3A     |
| C964         | 24591104  | PLASTIC FILM, 50V 0.1UF J          |
| C3260        | 24092785  | CERAMIC CHIP, 10V B 0.47UF K       |
| C3301        | 24797229  | ELECTROLYTIC, 50V 2.2UF M          |
| C4401        | 24109223  | CERAMIC CHIP, 25V B 22000PF K      |
| C4402        | 24797229  | ELECTROLYTIC, 50V 2.2UF M          |
| C4403        | 24109103  | CERAMIC CHIP, 50V B 10000PF K      |
| C4404        | 24763102  | ELECTROLYTIC, 16V 1000UF M         |
| C4405        | 24109222  | CERAMIC CHIP, 50V B 2200PF K       |
| C4451        | 24763101  | ELECTROLYTIC, 16V 100UF M          |
| C5020        | 24109103  | CERAMIC CHIP, 50V B 10000PF K      |
| C5030        | 24763221  | ELECTROLYTIC, 16V 220UF M          |
| C5070        | 24109103  | CERAMIC CHIP, 50V B 10000PF K      |
| C5080        | 24669010  | ELECTROLYTIC, 50V 1.0UF M 3A       |
| C5090        | 24763101  | ELECTROLYTIC, 16V 100UF M          |
| C5100        | 24763101  | ELECTROLYTIC, 16V 100UF M          |
| C5200        | 24109102  | CERAMIC CHIP, 50V B 1000PF K       |
| C5210        | 24109102  | CERAMIC CHIP, 50V B 1000PF K       |
| C5220        | 24669010  | ELECTROLYTIC, 50V 1.0UF M 3A       |
| C7702        | 24105101  | CERAMIC CHIP, 50V CH 100PF J       |
| C7718        | 24667101  | ELECTROLYTIC, 25V 100UF M 3A       |
| C7719        | 24667101  | ELECTROLYTIC, 25V 100UF M 3A       |
| C7720        | 24667101  | ELECTROLYTIC, 25V 100UF M 3A       |
| C7721        | 24105331  | CERAMIC CHIP, 50V CH 330PF J       |
| C7722        | 24105101  | CERAMIC CHIP, 50V CH 100PF J       |
| C7724        | 24667101  | ELECTROLYTIC, 25V 100UF M 3A       |
| C7725        | 24667101  | ELECTROLYTIC, 25V 100UF M 3A       |
| C7726        | 24105331  | CERAMIC CHIP, 50V CH 330PF J       |
| C7727        | 24105101  | CERAMIC CHIP, 50V CH 100PF J       |
| C7729        | 24105331  | CERAMIC CHIP, 50V CH 330PF J       |
| C7730        | 24105101  | CERAMIC CHIP, 50V CH 100PF J       |
| C7731        | 24667101  | ELECTROLYTIC, 25V 100UF M 3A       |
| C7732        | 24105331  | CERAMIC CHIP, 50V CH 330PF J       |
| C7733        | 24105101  | CERAMIC CHIP, 50V CH 100PF J       |
| C7735        | 24667101  | ELECTROLYTIC, 25V 100UF M 3A       |
| C7736        | 24667101  | ELECTROLYTIC, 25V 100UF M 3A       |
| C7737        | 24105331  | CERAMIC CHIP, 50V CH 330PF J       |
| C7738        | 24105101  | CERAMIC CHIP, 50V CH 100PF J       |
| C7740        | 24105331  | CERAMIC CHIP, 50V CH 330PF J       |
| C7741        | 24105101  | CERAMIC CHIP, 50V CH 100PF J       |
| C7744        | 24109103  | CERAMIC CHIP, 50V B 10000PF K      |
| C7747        | 24667101  | ELECTROLYTIC, 25V 100UF M 3A       |
| C7749        | 24567104  | PLASTIC FILM, 50V 0.1UF J          |
| C7750        | 24667101  | ELECTROLYTIC, 25V 100UF M 3A       |

| Location No. | Parts No. | Description                      |
|--------------|-----------|----------------------------------|
| C7751        | 24667101  | ELECTROLYTIC, 25V 100UF M 3A     |
| C7753        | 24567104  | PLASTIC FILM, 50V 0.1UF J        |
| C7754        | 24667101  | ELECTROLYTIC, 25V 100UF M 3A     |
| C7756        | 24667470  | ELECTROLYTIC, 25V 47UF M 3A      |
| C7757        | 24567104  | PLASTIC FILM, 50V 0.1UF J        |
| C7766        | 24669100  | ELECTROLYTIC, 50V 10UF M 3A      |
| C7767        | 24073053  | ELECTROLYTIC, 25V 100UF M 3A     |
| C7769        | 24109103  | CERAMIC CHIP, 50V B 10000PF K    |
| C7774        | 24105331  | CERAMIC CHIP, 50V CH 330PF J     |
| C7776        | 24073053  | ELECTROLYTIC, 25V 100UF M 3A     |
| C7796        | 24073034  | ELECTROLYTIC CE04P 16V 10UF M 3A |
| C9602        | 24794100  | ELECTROLYTIC, 16V 10UF M         |
| CA09         | 24105101  | CERAMIC CHIP, 50V CH 100PF J     |
| CA10         | 24105101  | CERAMIC CHIP, 50V CH 100PF J     |
| CA12         | 24105101  | CERAMIC CHIP, 50V CH 100PF J     |
| CA15         | 24105101  | CERAMIC CHIP, 50V CH 100PF J     |
| CA16         | 24105101  | CERAMIC CHIP, 50V CH 100PF J     |
| CA17         | 24105101  | CERAMIC CHIP, 50V CH 100PF J     |
| CA20         | 24105101  | CERAMIC CHIP, 50V CH 100PF J     |
| CA33         | 24100103  | CERAMIC CHIP, 50V F 10000PF Z    |
| CA42         | 24794101  | ELECTROLYTIC, 16V 100UF M        |
| CA43         | 24109103  | CERAMIC CHIP, 50V B 10000PF K    |
| CA45         | 24109103  | CERAMIC CHIP, 50V B 10000PF K    |
| CA58         | 24794330  | ELECTROLYTIC CE04G 16V 33UF M    |
| CA67         | 24100103  | CERAMIC CHIP, 50V F 10000PF Z    |
| CA68         | 24794100  | ELECTROLYTIC, 16V 10UF M         |
| CA69         | 24100103  | CERAMIC CHIP, 50V F 10000PF Z    |
| CA70         | 24794100  | ELECTROLYTIC, 16V 10UF M         |
| CB01         | 24794470  | ELECTROLYTIC, 16V 47UF M         |
| CB04         | 24092538  | CERAMIC CHIP, 10V F 1UF Z        |
| CB05         | 24109222  | CERAMIC CHIP, 50V B 2200PF K     |
| CB06         | 24105561  | CERAMIC CHIP, 50V CH 560PF J     |
| CB07         | 24109332  | CERAMIC CHIP, 50V B 3300PF K     |
| CB90         | 24100103  | CERAMIC CHIP, 50V F 10000PF Z    |
| CC01         | 24109103  | CERAMIC CHIP, 50V B 10000PF K    |
| CC10         | 24212221  | CERAMIC DISC, 50V B 220PF K      |
| CC26         | 24109103  | CERAMIC CHIP, 50V B 10000PF K    |
| CC27         | 24109103  | CERAMIC CHIP, 50V B 10000PF K    |
| CC33         | 24105101  | CERAMIC CHIP, 50V CH 100PF J     |
| CC47         | 24212332  | CERAMIC DISC, 50V B 3300PF K     |
| CC48         | 24212332  | CERAMIC DISC, 50V B 3300PF K     |
| CC60         | 24109223  | CERAMIC CHIP, 25V B 22000PF K    |
| CC61         | 24109223  | CERAMIC CHIP, 25V B 22000PF K    |
| CC62         | 24109102  | CERAMIC CHIP, 50V B 1000PF K     |
| CC63         | 24109102  | CERAMIC CHIP, 50V B 1000PF K     |
| CC64         | 24109223  | CERAMIC CHIP, 25V B 22000PF K    |
| CC65         | 24109223  | CERAMIC CHIP, 25V B 22000PF K    |
| CC66         | 24109102  | CERAMIC CHIP, 50V B 1000PF K     |
| CC67         | 24109102  | CERAMIC CHIP, 50V B 1000PF K     |
| CC68         | 24109102  | CERAMIC CHIP, 50V B 1000PF K     |
| CC69         | 24109102  | CERAMIC CHIP, 50V B 1000PF K     |
| CC70         | 24109102  | CERAMIC CHIP, 50V B 1000PF K     |
| CC71         | 24109102  | CERAMIC CHIP, 50V B 1000PF K     |
| CC72         | 24109102  | CERAMIC CHIP, 50V B 1000PF K     |
| CC73         | 24109102  | CERAMIC CHIP, 50V B 1000PF K     |
| CC74         | 24109102  | CERAMIC CHIP, 50V B 1000PF K     |
| CC75         | 24109102  | CERAMIC CHIP, 50V B 1000PF K     |
| CC76         | 24109102  | CERAMIC CHIP, 50V B 1000PF K     |
| CR01         | 24206010  | ELECTROLYTIC, 50V 1.0UF M 7L 3A  |
| CR02         | 24100103  | CERAMIC CHIP, 50V F 10000PF Z    |
| CR09         | 24100104  | CERAMIC CHIP, 25V F 100000PF Z   |
| CR10         | 24794470  | ELECTROLYTIC, 16V 47UF M         |
| CR11         | 24100104  | CERAMIC CHIP, 25V F 100000PF Z   |
| CR12         | 24100104  | CERAMIC CHIP, 25V F 100000PF Z   |
| CR13         | 24100104  | CERAMIC CHIP, 25V F 100000PF Z   |

| Location No. | Parts No. | Description                        |
|--------------|-----------|------------------------------------|
| CR14         | 24100104  | CERAMIC CHIP, 25V F 100000PF Z     |
| CR18         | 24100104  | CERAMIC CHIP, 25V F 100000PF Z     |
| CR19         | 24100104  | CERAMIC CHIP, 25V F 100000PF Z     |
| CR20         | 24100104  | CERAMIC CHIP, 25V F 100000PF Z     |
| CR99         | 24100104  | CERAMIC CHIP, 25V F 100000PF Z     |
| CS01         | 24797229  | ELECTROLYTIC, 50V 2.2UF M          |
| CS02         | 24797229  | ELECTROLYTIC, 50V 2.2UF M          |
| CS03         | 24797229  | ELECTROLYTIC, 50V 2.2UF M          |
| CS04         | 24797229  | ELECTROLYTIC, 50V 2.2UF M          |
| CS05         | 24797229  | ELECTROLYTIC, 50V 2.2UF M          |
| CS06         | 24797229  | ELECTROLYTIC, 50V 2.2UF M          |
| CS07         | 24797229  | ELECTROLYTIC, 50V 2.2UF M          |
| CS08         | 24797229  | ELECTROLYTIC, 50V 2.2UF M          |
| CS09         | 24797229  | ELECTROLYTIC, 50V 2.2UF M          |
| CS11         | 24794100  | ELECTROLYTIC, 16V 10UF M           |
| CS12         | 24794100  | ELECTROLYTIC, 16V 10UF M           |
| CS13         | 24794100  | ELECTROLYTIC, 16V 10UF M           |
| CS14         | 24794100  | ELECTROLYTIC, 16V 10UF M           |
| CS16         | 24797229  | ELECTROLYTIC, 50V 2.2UF M          |
| CS18         | 24794100  | ELECTROLYTIC, 16V 10UF M           |
| CS19         | 24794100  | ELECTROLYTIC, 16V 10UF M           |
| CS20         | 24797478  | ELECTROLYTIC, 50V 0.47UF M         |
| CT01         | 24792221  | ELECTROLYTIC CE04G 6.3V 220UF M    |
| CT02         | 24109103  | CERAMIC CHIP, 50V B 10000PF K      |
| CT03         | 24109103  | CERAMIC CHIP, 50V B 10000PF K      |
| CT04         | 24793101  | ELECTROLYTIC, 10V 100UF M          |
| CT05         | 24100104  | CERAMIC CHIP, 25V F 100000PF Z     |
| CT06         | 24793470  | ELECTROLYTIC CE04G 10V 47UF M      |
| CT07         | 24092538  | CERAMIC CHIP, 10V F 1UF Z          |
| CT08         | 24105560  | CERAMIC CHIP, 50V CH 56PF J        |
| CT09         | 24105560  | CERAMIC CHIP, 50V CH 56PF J        |
| CT10         | 24793470  | ELECTROLYTIC CE04G 10V 47UF M      |
| CT11         | 24100104  | CERAMIC CHIP, 25V F 100000PF Z     |
| CT12         | 24793470  | ELECTROLYTIC CE04G 10V 47UF M      |
| CT13         | 24100104  | CERAMIC CHIP, 25V F 100000PF Z     |
| CT14         | 24100104  | CERAMIC CHIP, 25V F 100000PF Z     |
| CT17         | 24100104  | CERAMIC CHIP, 25V F 100000PF Z     |
| CT19         | 24794100  | ELECTROLYTIC, 16V 10UF M           |
| CT20         | 24109103  | CERAMIC CHIP, 50V B 10000PF K      |
| CT23         | 24100104  | CERAMIC CHIP, 25V F 100000PF Z     |
| CT99         | 24793102  | ELECTROLYTIC, 10V 1000UF M         |
| CV02         | 24100104  | CERAMIC CHIP, 25V F 100000PF Z     |
| CV03         | 24100104  | CERAMIC CHIP, 25V F 100000PF Z     |
| CV04         | 24100104  | CERAMIC CHIP, 25V F 100000PF Z     |
| CV05         | 24109103  | CERAMIC CHIP, 50V B 10000PF K      |
| CV06         | 24100104  | CERAMIC CHIP, 25V F 100000PF Z     |
| CV08         | 24763221  | ELECTROLYTIC, 16V 220UF M          |
| CV12         | 24100104  | CERAMIC CHIP, 25V F 100000PF Z     |
| CV23         | 24203101  | ELECTROLYTIC CE04WS 16V 100UF M 7L |
| CV24         | 24100104  | CERAMIC CHIP, 25V F 100000PF Z     |
| CV25         | 24794220  | ELECTROLYTIC, 16V 22UF M           |
| CV26         | 24109473  | CERAMIC CHIP, 25V B 47000PFK       |
| CV35         | 24109103  | CERAMIC CHIP, 50V B 10000PF K      |
| CV39         | 24203101  | ELECTROLYTIC CE04WS 16V 100UF M 7L |
| CV40         | 24109103  | CERAMIC CHIP, 50V B 10000PF K      |
| CV41         | 24794470  | ELECTROLYTIC, 16V 47UF M           |
| CV42         | 24100104  | CERAMIC CHIP, 25V F 100000PF Z     |
| CV65         | 24203101  | ELECTROLYTIC CE04WS 16V 100UF M 7L |
| CV66         | 24203101  | ELECTROLYTIC CE04WS 16V 100UF M 7L |
| CW01         | 24781121  | CERAMIC, CHIP, 50V SL 120PF J      |
| CW02         | 24781121  | CERAMIC, CHIP, 50V SL 120PF J      |
| CW03         | 24781470  | CERAMIC CHIP, 50V SL 47PF J        |
| CW04         | 24085945  | CHEMICON 04J 50V 2R2M NP           |
| CW04         | 24591822  | PLASTIC FILM, 50V 8200PF J         |
| CW05         | 24212103  | CERAMIC DISC, 50V B 10000PF K      |

| Location No. | Parts No. | Description                            |
|--------------|-----------|--|
| CW05         | 24781121  | CERAMIC, CHIP, 50V SL 120PF J          |
| CW06         | 24781121  | CERAMIC, CHIP, 50V SL 120PF J          |
| CW07         | 24206229  | ELECTROLYTIC, 50V 2.2UF M 7L 3A        |
| CW07         | 24666470  | ELECTROLYTIC, 16V 47UF M 3A            |
| CW08         | 24781121  | CERAMIC, CHIP, 50V SL 120PF J          |
| CW09         | 24781121  | CERAMIC, CHIP, 50V SL 120PF J          |
| CW10         | 24206229  | ELECTROLYTIC, 50V 2.2UF M 7L 3A        |
| CW11         | 24781330  | CERAMIC CHIP, 50V SL 33PF J            |
| CW12         | 24666470  | ELECTROLYTIC, 16V 47UF M 3A            |
| CW12         | 24781820  | CERAMIC CHIP, 50V SL 82PF J            |
| CW13         | 24709100  | ELECTROLYTIC, 200V 10UF M              |
| CW13         | 24781330  | CERAMIC CHIP, 50V SL 33PF J            |
| CW14         | 24436101  | CERAMIC DISC CC45 SL 50V100PF J        |
| CW14         | 24781820  | CERAMIC CHIP, 50V SL 82PF J            |
| CW15         | 24214472  | CERAMIC DISK CK45 B 500V 4700PF K      |
| CW15         | 24781330  | CERAMIC CHIP, 50V SL 33PF J            |
| CW16         | 24436101  | CERAMIC DISC CC45 SL 50V100PF J        |
| CW16         | 24781820  | CERAMIC CHIP, 50V SL 82PF J            |
| CW17         | 24214472  | CERAMIC DISK CK45 B 500V 4700PF K      |
| CW18         | 24666470  | ELECTROLYTIC, 16V 47UF M 3A            |
| CW19         | 24435560  | CERAMIC DISC, 500V SL 56PF J           |
| CW20         | 24709100  | ELECTROLYTIC, 200V 10UF M              |
| CW21         | 24794470  | ELECTROLYTIC, 16V 47UF M               |
| CW26         | 24212102  | CERAMIC DISC, 50V B 1000PF K           |
| CW27         | 24085986  | ELEC. NONPOLAR, 10V 10UF M 7L NP       |
| CW28         | 24085986  | ELEC. NONPOLAR, 10V 10UF M 7L NP       |
| CW29         | 24085986  | ELEC. NONPOLAR, 10V 10UF M 7L NP       |
| CW30         | 24202221  | ELECTROLYTIC, 10V 220UF M 7L 3A        |
| CW31         | 24092294  | CERAMIC CHIP, 16V F 0.33MF Z           |
| CW32         | 24781331  | CERAMIC CHIP, 50V SL 330PF J           |
| CW33         | 24092294  | CERAMIC CHIP, 16V F 0.33MF Z           |
| CW34         | 24814103  | CERAMIC CHIP, 50V F 0.01UF Z           |
| CW35         | 24092293  | CERAMIC CHIP, 25V F 100000PF Z         |
| CW36         | 24814103  | CERAMIC CHIP, 50V F 0.01UF Z           |
| CW37         | 24814103  | CERAMIC CHIP, 50V F 0.01UF Z           |
| CW38         | 24202101  | ELECTROLYTIC, 10V 100UF M 7L 3A        |
| CW39         | 24092293  | CERAMIC CHIP, 25V F 100000PF Z         |
| CW40         | 24203101  | ELECTROLYTIC CE04WS 16V 100UF M 7L     |
| CW41         | 24092293  | CERAMIC CHIP, 25V F 100000PF Z         |
| CW42         | 24201101  | ELECTROLYTIC, 6.3V 100UF M 7L 3A       |
| CW43         | 24092293  | CERAMIC CHIP, 25V F 100000PF Z         |
| CW44         | 24201101  | ELECTROLYTIC, 6.3V 100UF M 7L 3A       |
| CW45         | 24092293  | CERAMIC CHIP, 25V F 100000PF Z         |
| CW46         | 24206010  | ELECTROLYTIC, 50V 1.0UF M 7L 3A        |
| CW47         | 24092293  | CERAMIC CHIP, 25V F 100000PF Z         |
| CW48         | 24092293  | CERAMIC CHIP, 25V F 100000PF Z         |
| CW49         | 24092293  | CERAMIC CHIP, 25V F 100000PF Z         |
| CW50         | 24202221  | ELECTROLYTIC, 10V 220UF M 7L 3A        |
| CW51         | 24092293  | CERAMIC CHIP, 25V F 100000PF Z         |
| CW52         | 24092293  | CERAMIC CHIP, 25V F 100000PF Z         |
| CW53         | 24092293  | CERAMIC CHIP, 25V F 100000PF Z         |
| CW54         | 24092293  | CERAMIC CHIP, 25V F 100000PF Z         |
| CW55         | 24815472  | CERAMIC CHIP, 50V B 4700PF K           |
| CW56         | 24781221  | CERAMIC CHIP, 50V SL 220PF J           |
| CW60         | 24092441  | CERAMIC CHIP, 16V F 1UF Z              |
| CW61         | 24781182  | CAPACITOR CERAMIC CHIP 50V SL 1800PF J |
| CW62         | 24781182  | CAPACITOR CERAMIC CHIP 50V SL 1800PF J |
| CW68         | 24092293  | CERAMIC CHIP, 25V F 100000PF Z         |
| CW70         | 24814103  | CERAMIC CHIP, 50V F 0.01UF Z           |
| CW72         | 24567103  | PLASTIC FILM, 50V 0.01UF J             |
| CW73         | 24774471  | CHIP CERA CAP 50V CH 471J              |
| CW74         | 24814103  | CERAMIC CHIP, 50V F 0.01UF Z           |
| CW75         | 24092293  | CERAMIC CHIP, 25V F 100000PF Z         |

| Location No. | Parts No. | Description                    |
|--------------|-----------|--------------------------------|
| CW80         | 24092441  | CERAMIC CHIP, 16V F 1UF Z      |
| CW81         | 24092441  | CERAMIC CHIP, 16V F 1UF Z      |
| CW82         | 24781330  | CERAMIC CHIP, 50V SL 33PF J    |
| CW83         | 24781330  | CERAMIC CHIP, 50V SL 33PF J    |
| CW85         | 24781330  | CERAMIC CHIP, 50V SL 33PF J    |
| CW86         | 24781330  | CERAMIC CHIP, 50V SL 33PF J    |
| CW87         | 24781330  | CERAMIC CHIP, 50V SL 33PF J    |
| CW88         | 24781330  | CERAMIC CHIP, 50V SL 33PF J    |
| CW89         | 24781330  | CERAMIC CHIP, 50V SL 33PF J    |
| CW90         | 24781330  | CERAMIC CHIP, 50V SL 33PF J    |
| CW91         | 24781330  | CERAMIC CHIP, 50V SL 33PF J    |
| CW92         | 24781330  | CERAMIC CHIP, 50V SL 33PF J    |
| CW93         | 24781330  | CERAMIC CHIP, 50V SL 33PF J    |
| CW94         | 24781101  | CERAMIC CHIP, 50V SL 100PF J   |
| CW95         | 24781101  | CERAMIC CHIP, 50V SL 100PF J   |
| CW97         | 24781101  | CERAMIC CHIP, 50V SL 100PF J   |
| CZ01         | 24100104  | CERAMIC CHIP, 25V F 100000PF Z |
| CZ02         | 24109103  | CERAMIC CHIP, 50V B 10000PF K  |
| CZ03         | 24092743  | CERAMIC CHIP, 10V F 470NF Z    |
| CZ04         | 24100104  | CERAMIC CHIP, 25V F 100000PF Z |
| CZ05         | 24109103  | CERAMIC CHIP, 50V B 10000PF K  |
| CZ06         | 24100104  | CERAMIC CHIP, 25V F 100000PF Z |
| CZ07         | 24100104  | CERAMIC CHIP, 25V F 100000PF Z |
| CZ08         | 24100104  | CERAMIC CHIP, 25V F 100000PF Z |
| CZ09         | 24105220  | CERAMIC CHIP, 50V CH 22PF J    |
| CZ10         | 24105100  | CERAMIC CHIP, 50V CH 10PF D    |
| CZ11         | 24105220  | CERAMIC CHIP, 50V CH 22PF J    |
| CZ12         | 24109103  | CERAMIC CHIP, 50V B 10000PF K  |
| CZ13         | 24109103  | CERAMIC CHIP, 50V B 10000PF K  |
| CZ14         | 24794100  | ELECTROLYTIC, 16V 10UF M       |
| CZ15         | 24109103  | CERAMIC CHIP, 50V B 10000PF K  |
| CZ16         | 24100104  | CERAMIC CHIP, 25V F 100000PF Z |
| CZ17         | 24109103  | CERAMIC CHIP, 50V B 10000PF K  |
| CZ19         | 24105681  | CERAMIC CHIP, 50V 680PF J      |
| CZ20         | 24092730  | CERAMIC CHIP, 16V B 0.1UF K    |
| CZ21         | 24105102  | CERAMIC CHIP, 25V CH 1000PF J  |
| CZ22         | 24794100  | ELECTROLYTIC, 16V 10UF M       |
| CZ23         | 24109103  | CERAMIC CHIP, 50V B 10000PF K  |
| CZ24         | 24109103  | CERAMIC CHIP, 50V B 10000PF K  |
| CZ25         | 24794100  | ELECTROLYTIC, 16V 10UF M       |
| CZ26         | 24109103  | CERAMIC CHIP, 50V B 10000PF K  |
| CZ28         | 24109103  | CERAMIC CHIP, 50V B 10000PF K  |
| CZ29         | 24109103  | CERAMIC CHIP, 50V B 10000PF K  |
| CZ30         | 24794100  | ELECTROLYTIC, 16V 10UF M       |
| CZ31         | 24100104  | CERAMIC CHIP, 25V F 100000PF Z |
| CZ32         | 24105101  | CERAMIC CHIP, 50V CH 100PF J   |
| CZ33         | 24105330  | CERAMIC CHIP, 50V CH 33PF J    |
| CZ34         | 24105101  | CERAMIC CHIP, 50V CH 100PF J   |
| CZ35         | 24105270  | CERAMIC CHIP, 50V CH 27PF J    |
| CZ36         | 24105100  | CERAMIC CHIP, 50V CH 10PF D    |

| RESISTORS |          |                                    |
|-----------|----------|------------------------------------|
| R101      | 24382333 | OXIDE METAL FILM, 1W 33K OHM J     |
| R204      | 24011104 | CHIP, METAL FILM, 1/20W 100K OHM J |
| R205      | 24011101 | CHIP, METAL FILM, 1/20W 100 OHM J  |
| R206      | 24366221 | CARBON FILM, 1/6W 220 OHM J        |
| R208      | 24011224 | CHIP, METAL FILM, 1/20W 220K OHM J |
| R213      | 24872681 | CHIP, METAL FILM, 1/16W 680 OHM J  |
| R214      | 24872681 | CHIP, METAL FILM, 1/16W 680 OHM J  |
| R215      | 24872681 | CHIP, METAL FILM, 1/16W 680 OHM J  |
| R216      | 24011103 | CHIP, METAL FILM, 1/20W 10K OHM J  |
| R218      | 24011101 | CHIP, METAL FILM, 1/20W 100 OHM J  |
| R219      | 24011101 | CHIP, METAL FILM, 1/20W 100 OHM J  |
| R220      | 24011101 | CHIP, METAL FILM, 1/20W 100 OHM J  |
| R231      | 24000445 | CHIP JUMPER, 1608TYPE              |

| Location No. | Parts No. | Description                        |
|--------------|-----------|------------------------------------|
| R236         | 24011332  | CHIP, METAL FILM, 1/20W 3.3K OHM J |
| R241         | 24367393  | CARBON FILM, 1/6W 39K OHM J        |
| R242         | 24367393  | CARBON FILM, 1/6W 39K OHM J        |
| R243         | 24367393  | CARBON FILM, 1/6W 39K OHM J        |
| R245         | 24366123  | CARBON FILM, 1/6W 12K OHM J        |
| R246         | 24366103  | CARBON FILM, 1/6W 10K OHM J        |
| R247         | 24366102  | CARBON FILM, 1/6W 1K OHM J         |
| R260         | 24011222  | CHIP, METAL FILM, 1/20W 2.2K OHM J |
| R261         | 24011681  | CHIP, METAL FILM, 1/20W 680 OHM J  |
| R262         | 24011102  | CHIP, METAL FILM, 1/20W 1K OHM J   |
| R263         | 24011102  | CHIP, METAL FILM, 1/20W 1K OHM J   |
| R264         | 24011103  | CHIP, METAL FILM, 1/20W 10K OHM J  |
| R265         | 24011332  | CHIP, METAL FILM, 1/20W 3.3K OHM J |
| R266         | 24011332  | CHIP, METAL FILM, 1/20W 3.3K OHM J |
| R269         | 24011101  | CHIP, METAL FILM, 1/20W 100 OHM J  |
| R270         | 24011102  | CHIP, METAL FILM, 1/20W 1K OHM J   |
| R271         | 24011103  | CHIP, METAL FILM, 1/20W 10K OHM J  |
| R272         | 24011103  | CHIP, METAL FILM, 1/20W 10K OHM J  |
| R273         | 24011821  | CHIP, METAL FILM, 1/20W 820 OHM J  |
| R274         | 24011103  | CHIP, METAL FILM, 1/20W 10K OHM J  |
| R275         | 24011332  | CHIP, METAL FILM, 1/20W 3.3K OHM J |
| R276         | 24011102  | CHIP, METAL FILM, 1/20W 1K OHM J   |
| R277         | 24011222  | CHIP, METAL FILM, 1/20W 2.2K OHM J |
| R278         | 24011102  | CHIP, METAL FILM, 1/20W 1K OHM J   |
| R279         | 24011332  | CHIP, METAL FILM, 1/20W 3.3K OHM J |
| R280         | 24011472  | CHIP, METAL FILM, 1/20W 4.7K OHM J |
| R301         | 24011103  | CHIP, METAL FILM, 1/20W 10K OHM J  |
| R302         | 24011101  | CHIP, METAL FILM, 1/20W 100 OHM J  |
| R303         | 24011102  | CHIP, METAL FILM, 1/20W 1K OHM J   |
| R304         | 24011103  | CHIP, METAL FILM, 1/20W 10K OHM J  |
| R305         | 24322828  | OXIDE METAL FILM, 1W 0.82 OHM J    |
| R306         | 24011153  | CHIP, METAL FILM, 1/20W 15K OHM J  |
| R307         | 24011101  | CHIP, METAL FILM, 1/20W 100 OHM J  |
| R308         | 24011101  | CHIP, METAL FILM, 1/20W 100 OHM J  |
| R310         | 24011682  | CHIP, METAL FILM, 1/20W 6.8K OHM J |
| R311         | 24011103  | CHIP, METAL FILM, 1/20W 10K OHM J  |
| R312         | 24011103  | CHIP, METAL FILM, 1/20W 10K OHM J  |
| R313         | 24011102  | CHIP, METAL FILM, 1/20W 1K OHM J   |
| R314         | 24011473  | CHIP, METAL FILM, 1/20W 47K OHM J  |
| R315         | 24011821  | CHIP, METAL FILM, 1/20W 820 OHM J  |
| R316         | 24011102  | CHIP, METAL FILM, 1/20W 1K OHM J   |
| R317         | 24011824  | CHIP, METAL FILM, 1/20W 820K OHM J |
| R318         | 24011100  | CHIP, METAL FILM, 1/20W 10 OHM J   |
| R320         | 24000249  | METAL FILM, 1/4W 47K OHM F         |
| R321         | 24011332  | CHIP, METAL FILM, 1/20W 3.3K OHM J |
| R322         | 24000639  | METAL FILM, 1/4W 22K OHM F         |
| R323         | 24000529  | METAL FILM, 1/4W 6.8K OHM F        |
| R324         | 24011103  | CHIP, METAL FILM, 1/20W 10K OHM J  |
| R325         | 24011222  | CHIP, METAL FILM, 1/20W 2.2K OHM J |
| R326         | 24011103  | CHIP, METAL FILM, 1/20W 10K OHM J  |
| R327         | 24011103  | CHIP, METAL FILM, 1/20W 10K OHM J  |
| R328         | 24000633  | METAL FILM, 1/4W 10K OHM F         |
| R329         | 24011103  | CHIP, METAL FILM, 1/20W 10K OHM J  |
| R330         | 24000221  | METAL FILM, 1/4W 20K OHM F         |
| R331         | 24019119  | METAL FILM, 1/6W 30K OHM J         |
| R332         | 24000525  | METAL FILM, 1/4W 4.7K OHM F        |
| R333         | 24011103  | CHIP, METAL FILM, 1/20W 10K OHM J  |
| R334         | 24011102  | CHIP, METAL FILM, 1/20W 1K OHM J   |
| R335         | 24011102  | CHIP, METAL FILM, 1/20W 1K OHM J   |
| R336         | 24011102  | CHIP, METAL FILM, 1/20W 1K OHM J   |
| R337         | 24321129  | OXIDE METAL FILM, 1/2W 1.2 OHM J   |
| R338         | 24011103  | CHIP, METAL FILM, 1/20W 10K OHM J  |
| R339         | 24011473  | CHIP, METAL FILM, 1/20W 47K OHM J  |
| R340         | 24011824  | CHIP, METAL FILM, 1/20W 820K OHM J |
| R341         | 24011473  | CHIP, METAL FILM, 1/20W 47K OHM J  |

| Location No. | Parts No. | Description                        |
|--------------|-----------|------------------------------------|
| R342         | 24011153  | CHIP, METAL FILM, 1/20W 15K OHM J  |
| R343         | 24011102  | CHIP, METAL FILM, 1/20W 1K OHM J   |
| R344         | 24382271  | OXIDE METAL FILM, 1W 270 OHM J     |
| R346         | 24382391  | OXIDE METAL FILM, 1W 390 OHM J     |
| R347         | 24011103  | CHIP, METAL FILM, 1/20W 10K OHM J  |
| R348         | 24011103  | CHIP, METAL FILM, 1/20W 10K OHM J  |
| R349         | 24011392  | CHIP, METAL FILM, 1/20W 3.9K OHM J |
| R350         | 24011822  | CHIP, METAL FILM, 1/20W 8.2K OHM J |
| R355         | 24011223  | CHIP, METAL FILM, 1/20W 22K OHM J  |
| R360         | 24011103  | CHIP, METAL FILM, 1/20W 10K OHM J  |
| R361         | 24011103  | CHIP, METAL FILM, 1/20W 10K OHM J  |
| R362         | 24011103  | CHIP, METAL FILM, 1/20W 10K OHM J  |
| R363         | 24011472  | CHIP, METAL FILM, 1/20W 4.7K OHM J |
| R364         | 24011153  | CHIP, METAL FILM, 1/20W 15K OHM J  |
| R365         | 24011102  | CHIP, METAL FILM, 1/20W 1K OHM J   |
| R370         | 24011102  | CHIP, METAL FILM, 1/20W 1K OHM J   |
| R371         | 24011823  | CHIP, METAL FILM, 1/20W 82K OHM J  |
| R372         | 24011332  | CHIP, METAL FILM, 1/20W 3.3K OHM J |
| R373         | 24011823  | CHIP, METAL FILM, 1/20W 82K OHM J  |
| R374         | 24011104  | CHIP, METAL FILM, 1/20W 100K OHM J |
| R375         | 24011153  | CHIP, METAL FILM, 1/20W 15K OHM J  |
| R376         | 24011333  | CHIP, METAL FILM, 1/20W 33K OHM J  |
| R377         | 24000824  | JUMPER CHIP, 2125TYPE              |
| R378         | 24011332  | CHIP, METAL FILM, 1/20W 3.3K OHM J |
| R380         | 24011472  | CHIP, METAL FILM, 1/20W 4.7K OHM J |
| R381         | 24011223  | CHIP, METAL FILM, 1/20W 22K OHM J  |
| R390         | 24382561  | OXIDE METAL FILM, 1W 560 OHM J     |
| R391         | 24382561  | OXIDE METAL FILM, 1W 560 OHM J     |
| R392         | 24382561  | OXIDE METAL FILM, 1W 560 OHM J     |
| R401         | 24011222  | CHIP, METAL FILM, 1/20W 2.2K OHM J |
| R402         | 24011102  | CHIP, METAL FILM, 1/20W 1K OHM J   |
| R403         | 24553272  | OXIDE METAL FILM, 1W 2.7K OHM J    |
| R404         | 24366332  | CARBON FILM, 1/6W 3.3K OHM J       |
| R405         | 24011101  | CHIP, METAL FILM, 1/20W 100 OHM J  |
| R406         | 24382472  | OXIDE METAL FILM, 1W 4.7K OHM J    |
| R407         | 24381100  | OXIDE METAL FILM, 1/2W 10 OHM J    |
| R408         | 24011222  | CHIP, METAL FILM, 1/20W 2.2K OHM J |
| R409         | 24555220  | OXIDE METAL FILM, 3W 22 OHM J      |
| R410         | 24555220  | OXIDE METAL FILM, 3W 22 OHM J      |
| R411         | 24383270  | OXIDE METAL FILM, 2W 27 OHM J      |
| R412         | 24011222  | CHIP, METAL FILM, 1/20W 2.2K OHM J |
| R413         | 24011332  | CHIP, METAL FILM, 1/20W 3.3K OHM J |
| R414         | 24366100  | CARBON FILM, 1/6W 10 OHM J         |
| R415         | 24011102  | CHIP, METAL FILM, 1/20W 1K OHM J   |
| R416         | 24384682  | OXIDE METAL FILM, 3W 6.8K OHM J    |
| R417         | 24019292  | FUSIBLE, 1/2W 68 OHM J             |
| R418         | 24382104  | OXIDE METAL FILM, 1W 100K OHM J    |
| R419         | 24942102  | CARBON COMPOSITION, 1/2W 1K OHM J  |
| R420         | 24011103  | CHIP, METAL FILM, 1/20W 10K OHM J  |
| R421         | 24366223  | CARBON FILM, 1/6W 22K OHM J        |
| R422         | 24366223  | CARBON FILM, 1/6W 22K OHM J        |
| R431         | 24383102  | OXIDE METAL FILM, 2W 1K OHM J      |
| R432         | 24376274  | CARBON FILM, 1/2W 270K OHM J       |
| R433         | 24376274  | CARBON FILM, 1/2W 270K OHM J       |
| R434         | 24376274  | CARBON FILM, 1/2W 270K OHM J       |
| R435         | 24011472  | CHIP, METAL FILM, 1/20W 4.7K OHM J |
| R441         | 24383102  | OXIDE METAL FILM, 2W 1K OHM J      |
| R443         | 24310109  | OXIDE METAL FILM, 1/2W 1 OHM J     |
| R444         | 24338398  | OXIDE METAL FILM, 1W 0.39 OHM J    |
| R445         | 24011103  | CHIP, METAL FILM, 1/20W 10K OHM J  |
| R446         | 24366103  | CARBON FILM, 1/6W 10K OHM J        |
| R447         | 24382473  | OXIDE METAL FILM, 1W 47K OHM J     |
| R448         | 24366334  | CARBON FILM, 1/6W 330K OHM J       |
| R449         | 24011681  | CHIP, METAL FILM, 1/20W 680 OHM J  |
| R455         | 24011103  | CHIP, METAL FILM, 1/20W 10K OHM J  |

| Location No. | Parts No. | Description                        |
|--------------|-----------|------------------------------------|
| R460         | 24011103  | CHIP, METAL FILM, 1/20W 10K OHM J  |
| R461         | 24011103  | CHIP, METAL FILM, 1/20W 10K OHM J  |
| R462         | 24011103  | CHIP, METAL FILM, 1/20W 10K OHM J  |
| R463         | 24011562  | CHIP, METAL FILM, 1/20W 5.6K OHM J |
| R464         | 24011472  | CHIP, METAL FILM, 1/20W 4.7K OHM J |
| R465         | 24011474  | CHIP, METAL FILM, 1/20W 470K OHM J |
| R466         | 24011103  | CHIP, METAL FILM, 1/20W 10K OHM J  |
| R467         | 24011683  | CHIP, METAL FILM, 1/20W 68K OHM J  |
| R468         | 24011153  | CHIP, METAL FILM, 1/20W 15K OHM J  |
| R469         | 24011101  | CHIP, METAL FILM, 1/20W 100 OHM J  |
| R470         | 24011224  | CHIP, METAL FILM, 1/20W 220K OHM J |
| R470         | 24323568  | OXIDE METAL FILM, 2W 0.56 OHM J    |
| R471         | 24552271  | OXIDE METAL FILM, 1/2W 270 OHM J   |
| R472         | 24552151  | OXIDE METAL FILM, 1/2W 150 OHM J   |
| R473         | 24327223  | METAL FILM, 1/4W 22K OHM F         |
| R474         | 24327223  | METAL FILM, 1/4W 22K OHM F         |
| R475         | 24011103  | CHIP, METAL FILM, 1/20W 10K OHM J  |
| R475         | 24366102  | CARBON FILM, 1/6W 1K OHM J         |
| R476         | 24011223  | CHIP, METAL FILM, 1/20W 22K OHM J  |
| R477         | 24011332  | CHIP, METAL FILM, 1/20W 3.3K OHM J |
| R478         | 24011474  | CHIP, METAL FILM, 1/20W 470K OHM J |
| R479         | 24011103  | CHIP, METAL FILM, 1/20W 10K OHM J  |
| R480         | 24011223  | CHIP, METAL FILM, 1/20W 22K OHM J  |
| R481         | 24011472  | CHIP, METAL FILM, 1/20W 4.7K OHM J |
| R482         | 24552331  | OXIDE METAL FILM, 1/2W 330 OHM J   |
| R488         | 24011392  | CHIP, METAL FILM, 1/20W 3.9K OHM J |
| R489         | 24011222  | CHIP, METAL FILM, 1/20W 2.2K OHM J |
| R490         | 24011103  | CHIP, METAL FILM, 1/20W 10K OHM J  |
| R491         | 24011102  | CHIP, METAL FILM, 1/20W 1K OHM J   |
| R492         | 24000370  | METAL FILM, 1/4W 3.3K OHM F        |
| R493         | 24000137  | METAL FILM, 1/4W 150 OHM F         |
| R494         | 24000364  | METAL FILM, 1/4W 1.8K OHM F        |
| R495         | 24011333  | CHIP, METAL FILM, 1/20W 33K OHM J  |
| R496         | 24366103  | CARBON FILM, 1/6W 10K OHM J        |
| R497         | 24011331  | CHIP, METAL FILM, 1/20W 330 OHM J  |
| R498         | 24011101  | CHIP, METAL FILM, 1/20W 100 OHM J  |
| R501         | 24011682  | CHIP, METAL FILM, 1/20W 6.8K OHM J |
| R502         | 24011272  | CHIP, METAL FILM, 1/20W 2.7K OHM J |
| R504         | 24011101  | CHIP, METAL FILM, 1/20W 100 OHM J  |
| R505         | 24011101  | CHIP, METAL FILM, 1/20W 100 OHM J  |
| R506         | 24011273  | CHIP, METAL FILM, 1/20W 27K OHM J  |
| R507         | 24011392  | CHIP, METAL FILM, 1/20W 3.9K OHM J |
| R508         | 24011682  | CHIP, METAL FILM, 1/20W 6.8K OHM J |
| R511         | 24011102  | CHIP, METAL FILM, 1/20W 1K OHM J   |
| R512         | 24011102  | CHIP, METAL FILM, 1/20W 1K OHM J   |
| R513         | 24366101  | CARBON FILM, 1/6W 100 OHM J        |
| R514         | 24011102  | CHIP, METAL FILM, 1/20W 1K OHM J   |
| R515         | 24011102  | CHIP, METAL FILM, 1/20W 1K OHM J   |
| R515         | 24366103  | CARBON FILM, 1/6W 10K OHM J        |
| R516         | 24011102  | CHIP, METAL FILM, 1/20W 1K OHM J   |
| R517         | 24011102  | CHIP, METAL FILM, 1/20W 1K OHM J   |
| R520         | 24366681  | CARBON FILM, 1/6W 680 OHM J        |
| R522         | 24011222  | CHIP, METAL FILM, 1/20W 2.2K OHM J |
| R523         | 24011103  | CHIP, METAL FILM, 1/20W 10K OHM J  |
| R524         | 24011103  | CHIP, METAL FILM, 1/20W 10K OHM J  |
| R525         | 24011222  | CHIP, METAL FILM, 1/20W 2.2K OHM J |
| R526         | 24011101  | CHIP, METAL FILM, 1/20W 100 OHM J  |
| R527         | 24011101  | CHIP, METAL FILM, 1/20W 100 OHM J  |
| R528         | 24011472  | CHIP, METAL FILM, 1/20W 4.7K OHM J |
| R529         | 24011331  | CHIP, METAL FILM, 1/20W 330 OHM J  |
| R530         | 24011682  | CHIP, METAL FILM, 1/20W 6.8K OHM J |
| R543         | 24011331  | CHIP, METAL FILM, 1/20W 330 OHM J  |
| R548         | 24011331  | CHIP, METAL FILM, 1/20W 330 OHM J  |
| R553         | 24011331  | CHIP, METAL FILM, 1/20W 330 OHM J  |
| R601         | 24011222  | CHIP, METAL FILM, 1/20W 2.2K OHM J |

| Location No. | Parts No. | Description                        |
|--------------|-----------|------------------------------------|
| R602         | 24011222  | CHIP, METAL FILM, 1/20W 2.2K OHM J |
| R603         | 24011123  | CHIP, METAL FILM, 1/20W 12K OHM J  |
| R604         | 24011123  | CHIP, METAL FILM, 1/20W 12K OHM J  |
| R605         | 24011123  | CHIP, METAL FILM, 1/20W 12K OHM J  |
| R606         | 24011123  | CHIP, METAL FILM, 1/20W 12K OHM J  |
| R607         | 24011223  | CHIP, METAL FILM, 1/20W 22K OHM J  |
| R608         | 24011223  | CHIP, METAL FILM, 1/20W 22K OHM J  |
| R609         | 24366229  | CARBON FILM, 1/6W 2.2 OHM J        |
| R610         | 24366229  | CARBON FILM, 1/6W 2.2 OHM J        |
| R611         | 24011104  | CHIP, METAL FILM, 1/20W 100K OHM J |
| R613         | 24011223  | CHIP, METAL FILM, 1/20W 22K OHM J  |
| R614         | 24011223  | CHIP, METAL FILM, 1/20W 22K OHM J  |
| R615         | 24011103  | CHIP, METAL FILM, 1/20W 10K OHM J  |
| R616         | 24011103  | CHIP, METAL FILM, 1/20W 10K OHM J  |
| R617         | 24011104  | CHIP, METAL FILM, 1/20W 100K OHM J |
| R618         | 24011103  | CHIP, METAL FILM, 1/20W 10K OHM J  |
| R619         | 24011224  | CHIP, METAL FILM, 1/20W 220K OHM J |
| R620         | 24552122  | OXIDE METAL FILM, 1/2W 1.2K OHM J  |
| R621         | 24011153  | CHIP, METAL FILM, 1/20W 15K OHM J  |
| R622         | 24011153  | CHIP, METAL FILM, 1/20W 15K OHM J  |
| R623         | 24011562  | CHIP, METAL FILM, 1/20W 5.6K OHM J |
| R624         | 24011102  | CHIP, METAL FILM, 1/20W 1K OHM J   |
| R625         | 24011681  | CHIP, METAL FILM, 1/20W 680 OHM J  |
| R626         | 24011223  | CHIP, METAL FILM, 1/20W 22K OHM J  |
| R627         | 24011223  | CHIP, METAL FILM, 1/20W 22K OHM J  |
| R628         | 24011472  | CHIP, METAL FILM, 1/20W 4.7K OHM J |
| R629         | 24011102  | CHIP, METAL FILM, 1/20W 1K OHM J   |
| R630         | 24011123  | CHIP, METAL FILM, 1/20W 12K OHM J  |
| R631         | 24011332  | CHIP, METAL FILM, 1/20W 3.3K OHM J |
| R632         | 24011223  | CHIP, METAL FILM, 1/20W 22K OHM J  |
| R633         | 24011221  | CHIP, METAL FILM, 1/20W 220 OHM J  |
| R634         | 24011822  | CHIP, METAL FILM, 1/20W 8.2K OHM J |
| R635         | 24011562  | CHIP, METAL FILM, 1/20W 5.6K OHM J |
| R636         | 24872822  | CHIP, METAL FILM, 1/16W 8.2K OHM J |
| R637         | 24872822  | CHIP, METAL FILM, 1/16W 8.2K OHM J |
| R641         | 24011103  | CHIP, METAL FILM, 1/20W 10K OHM J  |
| R642         | 24011223  | CHIP, METAL FILM, 1/20W 22K OHM J  |
| R643         | 24011103  | CHIP, METAL FILM, 1/20W 10K OHM J  |
| R644         | 24011473  | CHIP, METAL FILM, 1/20W 47K OHM J  |
| R645         | 24011104  | CHIP, METAL FILM, 1/20W 100K OHM J |
| R646         | 24872822  | CHIP, METAL FILM, 1/16W 8.2K OHM J |
| R647         | 24872822  | CHIP, METAL FILM, 1/16W 8.2K OHM J |
| R688         | 24552391  | OXIDE METAL FILM, 1/2W 390 OHM J   |
| R690         | 24552391  | OXIDE METAL FILM, 1/2W 390 OHM J   |
| R701         | 24872221  | CHIP, METAL FILM, 1/16W 220 OHM J  |
| R702         | 24872221  | CHIP, METAL FILM, 1/16W 220 OHM J  |
| R703         | 24872472  | CHIP, METAL FILM, 1/16W 4.7K OHM J |
| R704         | 24872472  | CHIP, METAL FILM, 1/16W 4.7K OHM J |
| R705         | 24872472  | CHIP, METAL FILM, 1/16W 4.7K OHM J |
| R706         | 24872472  | CHIP, METAL FILM, 1/16W 4.7K OHM J |
| R707         | 24872100  | CHIP, METAL FILM, 1/16W 10 OHM J   |
| R708         | 24872100  | CHIP, METAL FILM, 1/16W 10 OHM J   |
| R709         | 24872100  | CHIP, METAL FILM, 1/16W 10 OHM J   |
| R710         | 24872100  | CHIP, METAL FILM, 1/16W 10 OHM J   |
| R711         | 24872100  | CHIP, METAL FILM, 1/16W 10 OHM J   |
| R712         | 24872100  | CHIP, METAL FILM, 1/16W 10 OHM J   |
| R713         | 24872100  | CHIP, METAL FILM, 1/16W 10 OHM J   |
| R714         | 24872100  | CHIP, METAL FILM, 1/16W 10 OHM J   |
| R716         | 24872103  | CHIP, METAL FILM, 1/16W 10K OHM J  |
| R718         | 24872221  | CHIP, METAL FILM, 1/16W 220 OHM J  |
| R720         | 24872103  | CHIP, METAL FILM, 1/16W 10K OHM J  |
| R721         | 24872103  | CHIP, METAL FILM, 1/16W 10K OHM J  |
| R722         | 24872561  | CHIP, METAL FILM, 1/16W 560 OHM J  |
| R723         | 24872102  | CHIP, METAL FILM, 1/16W 1K OHM J   |
| R724         | 24872102  | CHIP, METAL FILM, 1/16W 1K OHM J   |



| Location No. | Parts No. | Description                        |
|--------------|-----------|------------------------------------|
| R725         | 24872102  | CHIP, METAL FILM, 1/16W 1K OHM J   |
| R726         | 24872331  | CHIP, METAL FILM, 1/16W 330 OHM J  |
| R727         | 24872222  | CHIP, METAL FILM, 1/16W 2.2K OHM J |
| R728         | 24872221  | CHIP, METAL FILM, 1/16W 220 OHM J  |
| R729         | 24872221  | CHIP, METAL FILM, 1/16W 220 OHM J  |
| R730         | 24872473  | CHIP, METAL FILM, 1/16W 47K OHM J  |
| R731         | 24872473  | CHIP, METAL FILM, 1/16W 47K OHM J  |
| R732         | 24872473  | CHIP, METAL FILM, 1/16W 47K OHM J  |
| R733         | 24872473  | CHIP, METAL FILM, 1/16W 47K OHM J  |
| R734         | 24872221  | CHIP, METAL FILM, 1/16W 220 OHM J  |
| R735         | 24872911  | CHIP, METAL FILM, 1/16W 910 OHM J  |
| R736         | 24872911  | CHIP, METAL FILM, 1/16W 910 OHM J  |
| R737         | 24872152  | CHIP, METAL FILM, 1/16W 1.5K OHM J |
| R738         | 24872332  | CHIP, METAL FILM, 1/16W 3.3K OHM J |
| R739         | 24872362  | CHIP, METAL FILM, 1/16W 3.6K OHM J |
| R740         | 24872911  | CHIP, METAL FILM, 1/16W 910 OHM J  |
| R741         | 24872911  | CHIP, METAL FILM, 1/16W 910 OHM J  |
| R742         | 24872152  | CHIP, METAL FILM, 1/16W 1.5K OHM J |
| R743         | 24872332  | CHIP, METAL FILM, 1/16W 3.3K OHM J |
| R744         | 24872362  | CHIP, METAL FILM, 1/16W 3.6K OHM J |
| R745         | 24872911  | CHIP, METAL FILM, 1/16W 910 OHM J  |
| R746         | 24872911  | CHIP, METAL FILM, 1/16W 910 OHM J  |
| R747         | 24872152  | CHIP, METAL FILM, 1/16W 1.5K OHM J |
| R748         | 24872332  | CHIP, METAL FILM, 1/16W 3.3K OHM J |
| R749         | 24872362  | CHIP, METAL FILM, 1/16W 3.6K OHM J |
| R750         | 24872911  | CHIP, METAL FILM, 1/16W 910 OHM J  |
| R751         | 24872911  | CHIP, METAL FILM, 1/16W 910 OHM J  |
| R752         | 24872152  | CHIP, METAL FILM, 1/16W 1.5K OHM J |
| R753         | 24872332  | CHIP, METAL FILM, 1/16W 3.3K OHM J |
| R754         | 24872362  | CHIP, METAL FILM, 1/16W 3.6K OHM J |
| R755         | 24872911  | CHIP, METAL FILM, 1/16W 910 OHM J  |
| R756         | 24872911  | CHIP, METAL FILM, 1/16W 910 OHM J  |
| R757         | 24872152  | CHIP, METAL FILM, 1/16W 1.5K OHM J |
| R758         | 24872332  | CHIP, METAL FILM, 1/16W 3.3K OHM J |
| R759         | 24872362  | CHIP, METAL FILM, 1/16W 3.6K OHM J |
| R760         | 24872911  | CHIP, METAL FILM, 1/16W 910 OHM J  |
| R761         | 24872911  | CHIP, METAL FILM, 1/16W 910 OHM J  |
| R762         | 24872152  | CHIP, METAL FILM, 1/16W 1.5K OHM J |
| R763         | 24872332  | CHIP, METAL FILM, 1/16W 3.3K OHM J |
| R764         | 24872362  | CHIP, METAL FILM, 1/16W 3.6K OHM J |
| R778         | 24872101  | CHIP, METAL FILM, 1/16W 100 OHM J  |
| R779         | 24872101  | CHIP, METAL FILM, 1/16W 100 OHM J  |
| R780         | 24872101  | CHIP, METAL FILM, 1/16W 100 OHM J  |
| R781         | 24872101  | CHIP, METAL FILM, 1/16W 100 OHM J  |
| R782         | 24872101  | CHIP, METAL FILM, 1/16W 100 OHM J  |
| R783         | 24872101  | CHIP, METAL FILM, 1/16W 100 OHM J  |
| R786         | 24872472  | CHIP, METAL FILM, 1/16W 4.7K OHM J |
| R787         | 24872472  | CHIP, METAL FILM, 1/16W 4.7K OHM J |
| R790         | 24872101  | CHIP, METAL FILM, 1/16W 100 OHM J  |
| R791         | 24872101  | CHIP, METAL FILM, 1/16W 100 OHM J  |
| R792         | 24872101  | CHIP, METAL FILM, 1/16W 100 OHM J  |
| R793         | 24872101  | CHIP, METAL FILM, 1/16W 100 OHM J  |
| R794         | 24872101  | CHIP, METAL FILM, 1/16W 100 OHM J  |
| R795         | 24000824  | JUMPER CHIP, 2125TYPE              |
| R796         | 24000824  | JUMPER CHIP, 2125TYPE              |
| R797         | 24872101  | CHIP, METAL FILM, 1/16W 100 OHM J  |
| R798         | 24872101  | CHIP, METAL FILM, 1/16W 100 OHM J  |
| R799         | 24872101  | CHIP, METAL FILM, 1/16W 100 OHM J  |
| △ R801       | 24005015  | METAL GLAZE, 1W 8.2M OHM J         |
| R810         | 24510152  | CERAMIC COVERED, 5W 1.5K OHM J     |
| R814         | 24366102  | CARBON FILM, 1/6W 1K OHM J         |
| R815         | 24366102  | CARBON FILM, 1/6W 1K OHM J         |
| R816         | 24366102  | CARBON FILM, 1/6W 1K OHM J         |
| R817         | 24366102  | CARBON FILM, 1/6W 1K OHM J         |
| R818         | 24366471  | CARBON FILM, 1/6W 470 OHM J        |

| Location No. | Parts No. | Description                       |
|--------------|-----------|-----------------------------------|
| R819         | 24009954  | METAL FILM, 1/2W 2.2M OHM J       |
| R820         | 24327153  | METAL FILM, 1/4W 15K OHM J        |
| R821         | 24327123  | METAL FILM, 1/4W 12K OHM F        |
| R822         | 24327123  | METAL FILM, 1/4W 12K OHM F        |
| R823         | 24327123  | METAL FILM, 1/4W 12K OHM F        |
| R824         | 24366102  | CARBON FILM, 1/6W 1K OHM J        |
| R830         | 24366333  | CARBON FILM, 1/6W 33K OHM J       |
| R840         | 24366473  | CARBON FILM, 1/6W 47K OHM J       |
| R842         | 24366222  | CARBON FILM, 1/6W 2.2K OHM J      |
| R843         | 24366103  | CARBON FILM, 1/6W 10K OHM J       |
| R861         | 24555333  | OXIDE RES B 3W 333J               |
| R862         | 24321689  | METAL FILM, 1/2W 6.8 OHM J        |
| R864         | 24552102  | OXIDE METAL FILM, 1/2W 1K OHM J   |
| R865         | 24545109  | FUSIBLE, 1/4W 1 OHM J             |
| R866         | 24552470  | OXIDE METAL FILM, 1/2W 47 OHM J   |
| R867         | 24367563  | CARBON FILM, 1/6W 56K OHM G       |
| R868         | 24552560  | OXIDE METAL FILM, 1/2W 56 OHM J   |
| R870         | 24552121  | OXIDE METAL FILM, 1/2W 120 OHM J  |
| R871         | 24553680  | OXIDE METAL FILM, 1W 68 OHM J     |
| R872         | 24377224  | CARBON FILM, 1W 220K OHM J        |
| R883         | 24381683  | OXIDE METAL FILM, 1/2W 68K OHM J  |
| R884         | 24366102  | CARBON FILM, 1/6W 1K OHM J        |
| R885         | 24545109  | FUSIBLE, 1/4W 1 OHM J             |
| R891         | 24366152  | CARBON FILM, 1/6W 1.5K OHM J      |
| R901         | 24366471  | CARBON FILM, 1/6W 470 OHM J       |
| R903         | 24942102  | CARBON COMPOSITION, 1/2W 1K OHM J |
| R905         | 24366390  | CARBON FILM, 1/6W 39 OHM J        |
| R906         | 24366621  | CARBON FILM, 1/6W 620 OHM J       |
| R908         | 24366560  | CARBON FILM, 1/6W 56 OHM J        |
| R909         | 24366121  | CARBON FILM, 1/6W 120 OHM J       |
| R911         | 24366471  | CARBON FILM, 1/6W 470 OHM J       |
| R913         | 24942102  | CARBON COMPOSITION, 1/2W 1K OHM J |
| R915         | 24366330  | CARBON FILM, 1/6W 33 OHM J        |
| R916         | 24366621  | CARBON FILM, 1/6W 620 OHM J       |
| R918         | 24366430  | CARBON FILM, 1/6W 43 OHM J        |
| R921         | 24366471  | CARBON FILM, 1/6W 470 OHM J       |
| R923         | 24942102  | CARBON COMPOSITION, 1/2W 1K OHM J |
| R925         | 24366121  | CARBON FILM, 1/6W 120 OHM J       |
| R926         | 24366621  | CARBON FILM, 1/6W 620 OHM J       |
| R928         | 24366680  | CARBON FILM, 1/6W 68 OHM J        |
| R931         | 24555153  | OXIDE METAL FILM, 3W 15K OHM J    |
| R932         | 24555153  | OXIDE METAL FILM, 3W 15K OHM J    |
| R934         | 24000887  | FUSIBLE, 1W 2.2 OHM J             |
| R935         | 24366150  | CARBON FILM, 1/6W 15 OHM J        |
| R936         | 24366330  | CARBON FILM, 1/6W 33 OHM J        |
| R941         | 24555153  | OXIDE METAL FILM, 3W 15K OHM J    |
| R942         | 24555153  | OXIDE METAL FILM, 3W 15K OHM J    |
| R943         | 24366103  | CARBON FILM, 1/6W 10K OHM J       |
| R944         | 24366150  | CARBON FILM, 1/6W 15 OHM J        |
| R945         | 24366680  | CARBON FILM, 1/6W 68 OHM J        |
| R946         | 24366330  | CARBON FILM, 1/6W 33 OHM J        |
| R949         | 24366101  | CARBON FILM, 1/6W 100 OHM J       |
| R951         | 24555153  | OXIDE METAL FILM, 3W 15K OHM J    |
| R952         | 24555153  | OXIDE METAL FILM, 3W 15K OHM J    |
| R953         | 24366390  | CARBON FILM, 1/6W 39 OHM J        |
| R956         | 24366102  | CARBON FILM, 1/6W 1K OHM J        |
| R957         | 24366330  | CARBON FILM, 1/6W 33 OHM J        |
| R961         | 24366102  | CARBON FILM, 1/6W 1K OHM J        |
| R962         | 24366361  | CARBON FILM, 1/6W 360 OHM J       |
| R964         | 24366332  | CARBON FILM, 1/6W 3.3K OHM J      |
| R965         | 24366471  | CARBON FILM, 1/6W 470 OHM J       |
| R966         | 24366821  | CARBON FILM, 1/6W 820 OHM J       |
| R967         | 24366102  | CARBON FILM, 1/6W 1K OHM J        |
| R968         | 24366680  | CARBON FILM, 1/6W 68 OHM J        |
| R969         | 24366103  | CARBON FILM, 1/6W 10K OHM J       |

| Location No. | Parts No. | Description                        |
|--------------|-----------|------------------------------------|
| R970         | 24366222  | CARBON FILM, 1/6W 2.2K OHM J       |
| R971         | 24367152  | CARBON FILM, 1/6W 1.5K OHM G       |
| R972         | 24367471  | CARBON FILM, 1/6W 470 OHM G        |
| R973         | 24367681  | CARBON FILM, 1/6W 680 OHM G        |
| R974         | 24367681  | CARBON FILM, 1/6W 680 OHM G        |
| R975         | 24366242  | CARBON FILM, 1/6W 2.4K OHM J       |
| R976         | 24367562  | CARBON FILM, 1/6W 5.6K OHM G       |
| R977         | 24367472  | CARBON FILM, 1/6W 4.7K OHM G       |
| R978         | 24367681  | CARBON FILM, 1/6W 680 OHM G        |
| R4401        | 24011105  | CHIP, METAL FILM, 1/20W 1M OHM J   |
| R4403        | 24011152  | CHIP, METAL FILM, 1/20W 1.5K OHM J |
| R4404        | 24011152  | CHIP, METAL FILM, 1/20W 1.5K OHM J |
| R4405        | 24011391  | CHIP, METAL FILM, 1/20W 390 OHM J  |
| R4406        | 24011274  | CHIP, METAL FILM, 1/20W 270K OHM J |
| R4407        | 24011223  | CHIP, METAL FILM, 1/20W 22K OHM J  |
| R4408        | 24011102  | CHIP, METAL FILM, 1/20W 1K OHM J   |
| R4409        | 24011471  | CHIP, METAL FILM, 1/20W 470 OHM J  |
| R4422        | 24011101  | CHIP, METAL FILM, 1/20W 100 OHM J  |
| R4451        | 24011472  | CHIP, METAL FILM, 1/20W 4.7K OHM J |
| R4452        | 24011103  | CHIP, METAL FILM, 1/20W 10K OHM J  |
| R4453        | 24011272  | CHIP, METAL FILM, 1/20W 2.7K OHM J |
| R4454        | 24011102  | CHIP, METAL FILM, 1/20W 1K OHM J   |
| R4471        | 24011222  | CHIP, METAL FILM, 1/20W 2.2K OHM J |
| R4472        | 24552101  | OXIDE METAL FILM, 1/2W 100 OHM J   |
| R5020        | 24011101  | CHIP, METAL FILM, 1/20W 100 OHM J  |
| R5030        | 24011101  | CHIP, METAL FILM, 1/20W 100 OHM J  |
| R7707        | 24011472  | CHIP, METAL FILM, 1/20W 4.7K OHM J |
| R7708        | 24011472  | CHIP, METAL FILM, 1/20W 4.7K OHM J |
| R7709        | 24011102  | CHIP, METAL FILM, 1/20W 1K OHM J   |
| R7710        | 24383680  | OXIDE METAL FILM, 2W 68 OHM J      |
| R7711        | 24547189  | FUSIBLE, 1W 1.8 OHM J              |
| R7712        | 24011472  | CHIP, METAL FILM, 1/20W 4.7K OHM J |
| R7713        | 24011472  | CHIP, METAL FILM, 1/20W 4.7K OHM J |
| R7714        | 24011102  | CHIP, METAL FILM, 1/20W 1K OHM J   |
| R7715        | 24383680  | OXIDE METAL FILM, 2W 68 OHM J      |
| R7716        | 24547189  | FUSIBLE, 1W 1.8 OHM J              |
| R7717        | 24011472  | CHIP, METAL FILM, 1/20W 4.7K OHM J |
| R7718        | 24011472  | CHIP, METAL FILM, 1/20W 4.7K OHM J |
| R7719        | 24011102  | CHIP, METAL FILM, 1/20W 1K OHM J   |
| R7720        | 24383680  | OXIDE METAL FILM, 2W 68 OHM J      |
| R7721        | 24547189  | FUSIBLE, 1W 1.8 OHM J              |
| R7722        | 24011472  | CHIP, METAL FILM, 1/20W 4.7K OHM J |
| R7723        | 24011472  | CHIP, METAL FILM, 1/20W 4.7K OHM J |
| R7724        | 24011102  | CHIP, METAL FILM, 1/20W 1K OHM J   |
| R7725        | 24383680  | OXIDE METAL FILM, 2W 68 OHM J      |
| R7726        | 24547189  | FUSIBLE, 1W 1.8 OHM J              |
| R7727        | 24011472  | CHIP, METAL FILM, 1/20W 4.7K OHM J |
| R7728        | 24011472  | CHIP, METAL FILM, 1/20W 4.7K OHM J |
| R7729        | 24011102  | CHIP, METAL FILM, 1/20W 1K OHM J   |
| R7730        | 24383680  | OXIDE METAL FILM, 2W 68 OHM J      |
| R7731        | 24547189  | FUSIBLE, 1W 1.8 OHM J              |
| R7732        | 24011472  | CHIP, METAL FILM, 1/20W 4.7K OHM J |
| R7733        | 24011472  | CHIP, METAL FILM, 1/20W 4.7K OHM J |
| R7734        | 24011102  | CHIP, METAL FILM, 1/20W 1K OHM J   |
| R7735        | 24383680  | OXIDE METAL FILM, 2W 68 OHM J      |
| R7736        | 24547189  | FUSIBLE, 1W 1.8 OHM J              |
| R7766        | 24011223  | CHIP, METAL FILM, 1/20W 22K OHM J  |
| R7767        | 24011153  | CHIP, METAL FILM, 1/20W 15K OHM J  |
| R7773        | 24011224  | CHIP, METAL FILM, 1/20W 220K OHM J |
| R7777        | 24011103  | CHIP, METAL FILM, 1/20W 10K OHM J  |
| R7779        | 24011102  | CHIP, METAL FILM, 1/20W 1K OHM J   |
| R7780        | 24011102  | CHIP, METAL FILM, 1/20W 1K OHM J   |
| R7781        | 24011333  | CHIP, METAL FILM, 1/20W 33K OHM J  |
| R7795        | 24000445  | CHIP JUMPER, 1608TYPE              |
| R7796        | 24000445  | CHIP JUMPER, 1608TYPE              |

| Location No. | Parts No. | Description                        |
|--------------|-----------|------------------------------------|
| R7797        | 24000445  | CHIP JUMPER, 1608TYPE              |
| R7798        | 24011221  | CHIP, METAL FILM, 1/20W 220 OHM J  |
| R7799        | 24011222  | CHIP, METAL FILM, 1/20W 2.2K OHM J |
| R7845        | 24011221  | CHIP, METAL FILM, 1/20W 220 OHM J  |
| R7846        | 24011472  | CHIP, METAL FILM, 1/20W 4.7K OHM J |
| R7847        | 24011103  | CHIP, METAL FILM, 1/20W 10K OHM J  |
| R7848        | 24011103  | CHIP, METAL FILM, 1/20W 10K OHM J  |
| R7849        | 24011103  | CHIP, METAL FILM, 1/20W 10K OHM J  |
| R7850        | 24011224  | CHIP, METAL FILM, 1/20W 220K OHM J |
| R7851        | 24011153  | CHIP, METAL FILM, 1/20W 15K OHM J  |
| R7852        | 24011103  | CHIP, METAL FILM, 1/20W 10K OHM J  |
| R7853        | 24011154  | CHIP, METAL FILM, 1/20W 150K OHM J |
| R7854        | 24011154  | CHIP, METAL FILM, 1/20W 150K OHM J |
| R7863        | 24011222  | CHIP, METAL FILM, 1/20W 2.2K OHM J |
| R7864        | 24011222  | CHIP, METAL FILM, 1/20W 2.2K OHM J |
| R7866        | 24011154  | CHIP, METAL FILM, 1/20W 150K OHM J |
| R7867        | 24011154  | CHIP, METAL FILM, 1/20W 150K OHM J |
| R7890        | 24011222  | CHIP, METAL FILM, 1/20W 2.2K OHM J |
| R7891        | 24011222  | CHIP, METAL FILM, 1/20W 2.2K OHM J |
| R7895        | 24011222  | CHIP, METAL FILM, 1/20W 2.2K OHM J |
| R9601        | 24366471  | CARBON FILM, 1/6W 470 OHM J        |
| R9602        | 24366362  | CARBON FILM, 1/6W 3.6K OHM J       |
| R9603        | 24366392  | CARBON FILM, 1/6W 3.9K OHM J       |
| R9604        | 24366272  | CARBON FILM, 1/6W 2.7K OHM J       |
| R9605        | 24366682  | CARBON FILM, 1/6W 6.8K OHM J       |
| R9606        | 24366392  | CARBON FILM, 1/6W 3.9K OHM J       |
| R9613        | 24366680  | CARBON FILM, 1/6W 68 OHM J         |
| R9614        | 24366390  | CARBON FILM, 1/6W 39 OHM J         |
| R9615        | 24366101  | CARBON FILM, 1/6W 100 OHM J        |
| R9616        | 24366102  | CARBON FILM, 1/6W 1K OHM J         |
| RA01         | 24011102  | CHIP, METAL FILM, 1/20W 1K OHM J   |
| RA02         | 24011103  | CHIP, METAL FILM, 1/20W 10K OHM J  |
| RA03         | 24011102  | CHIP, METAL FILM, 1/20W 1K OHM J   |
| RA04         | 24011102  | CHIP, METAL FILM, 1/20W 1K OHM J   |
| RA05         | 24011102  | CHIP, METAL FILM, 1/20W 1K OHM J   |
| RA07         | 24011102  | CHIP, METAL FILM, 1/20W 1K OHM J   |
| RA08         | 24011102  | CHIP, METAL FILM, 1/20W 1K OHM J   |
| RA09         | 24011682  | CHIP, METAL FILM, 1/20W 6.8K OHM J |
| RA10         | 24011682  | CHIP, METAL FILM, 1/20W 6.8K OHM J |
| RA11         | 24011331  | CHIP, METAL FILM, 1/20W 330 OHM J  |
| RA12         | 24011331  | CHIP, METAL FILM, 1/20W 330 OHM J  |
| RA13         | 24011102  | CHIP, METAL FILM, 1/20W 1K OHM J   |
| RA16         | 24011102  | CHIP, METAL FILM, 1/20W 1K OHM J   |
| RA17         | 24011102  | CHIP, METAL FILM, 1/20W 1K OHM J   |
| RA18         | 24011102  | CHIP, METAL FILM, 1/20W 1K OHM J   |
| RA19         | 24011331  | CHIP, METAL FILM, 1/20W 330 OHM J  |
| RA20         | 24011331  | CHIP, METAL FILM, 1/20W 330 OHM J  |
| RA21         | 24011331  | CHIP, METAL FILM, 1/20W 330 OHM J  |
| RA22         | 24011331  | CHIP, METAL FILM, 1/20W 330 OHM J  |
| RA23         | 24011103  | CHIP, METAL FILM, 1/20W 10K OHM J  |
| RA24         | 24011472  | CHIP, METAL FILM, 1/20W 4.7K OHM J |
| RA25         | 24011102  | CHIP, METAL FILM, 1/20W 1K OHM J   |
| RA26         | 24011102  | CHIP, METAL FILM, 1/20W 1K OHM J   |
| RA27         | 24011102  | CHIP, METAL FILM, 1/20W 1K OHM J   |
| RA29         | 24011103  | CHIP, METAL FILM, 1/20W 10K OHM J  |
| RA30         | 24011103  | CHIP, METAL FILM, 1/20W 10K OHM J  |
| RA33         | 24011103  | CHIP, METAL FILM, 1/20W 10K OHM J  |
| RA35         | 24011102  | CHIP, METAL FILM, 1/20W 1K OHM J   |
| RA37         | 24011101  | CHIP, METAL FILM, 1/20W 100 OHM J  |
| RA38         | 24011101  | CHIP, METAL FILM, 1/20W 100 OHM J  |
| RA39         | 24000445  | CHIP JUMPER, 1608TYPE              |
| RA43         | 24011102  | CHIP, METAL FILM, 1/20W 1K OHM J   |
| RA44         | 24011103  | CHIP, METAL FILM, 1/20W 10K OHM J  |
| RA50         | 24011102  | CHIP, METAL FILM, 1/20W 1K OHM J   |
| RA51         | 24011102  | CHIP, METAL FILM, 1/20W 1K OHM J   |

| Location No. | Parts No. | Description                        |
|--------------|-----------|------------------------------------|
| RA52         | 24011333  | CHIP, METAL FILM, 1/20W 33K OHM J  |
| RA60         | 24011470  | CHIP, METAL FILM, 1/20W 47 OHM J   |
| RA62         | 24011102  | CHIP, METAL FILM, 1/20W 1K OHM J   |
| RA63         | 24011102  | CHIP, METAL FILM, 1/20W 1K OHM J   |
| RA65         | 24011103  | CHIP, METAL FILM, 1/20W 10K OHM J  |
| RA66         | 24011103  | CHIP, METAL FILM, 1/20W 10K OHM J  |
| RA67         | 24011472  | CHIP, METAL FILM, 1/20W 4.7K OHM J |
| RA68         | 24011472  | CHIP, METAL FILM, 1/20W 4.7K OHM J |
| RA70         | 24011333  | CHIP, METAL FILM, 1/20W 33K OHM J  |
| RA71         | 24011102  | CHIP, METAL FILM, 1/20W 1K OHM J   |
| RA71         | 24366683  | CARBON FILM, 1/6W 68K OHM J        |
| RA72         | 24011102  | CHIP, METAL FILM, 1/20W 1K OHM J   |
| RA72         | 24366223  | CARBON FILM, 1/6W 22K OHM J        |
| RA73         | 24011470  | CHIP, METAL FILM, 1/20W 47 OHM J   |
| RA73         | 24366103  | CARBON FILM, 1/6W 10K OHM J        |
| RA75         | 24011333  | CHIP, METAL FILM, 1/20W 33K OHM J  |
| RA76         | 24011103  | CHIP, METAL FILM, 1/20W 10K OHM J  |
| RA76         | 24366103  | CARBON FILM, 1/6W 10K OHM J        |
| RA77         | 24366223  | CARBON FILM, 1/6W 22K OHM J        |
| RA78         | 24011102  | CHIP, METAL FILM, 1/20W 1K OHM J   |
| RA78         | 24366683  | CARBON FILM, 1/6W 68K OHM J        |
| RA89         | 24011152  | CHIP, METAL FILM, 1/20W 1.5K OHM J |
| RA601        | 24011103  | CHIP, METAL FILM, 1/20W 10K OHM J  |
| RA602        | 24011223  | CHIP, METAL FILM, 1/20W 22K OHM J  |
| RA609        | 24011102  | CHIP, METAL FILM, 1/20W 1K OHM J   |
| RB01         | 24366271  | CARBON FILM, 1/6W 270 OHM J        |
| RB02         | 24366471  | CARBON FILM, 1/6W 470 OHM J        |
| RB04         | 24011331  | CHIP, METAL FILM, 1/20W 330 OHM J  |
| RB04         | 24366223  | CARBON FILM, 1/6W 22K OHM J        |
| RB05         | 24011105  | CHIP, METAL FILM, 1/20W 1M OHM J   |
| RB05         | 24366223  | CARBON FILM, 1/6W 22K OHM J        |
| RB06         | 24011123  | CHIP, METAL FILM, 1/20W 12K OHM J  |
| RB07         | 24011392  | CHIP, METAL FILM, 1/20W 3.9K OHM J |
| RB07         | 24366271  | CARBON FILM, 1/6W 270 OHM J        |
| RB08         | 24011392  | CHIP, METAL FILM, 1/20W 3.9K OHM J |
| RB08         | 24366271  | CARBON FILM, 1/6W 270 OHM J        |
| RB09         | 24011103  | CHIP, METAL FILM, 1/20W 10K OHM J  |
| RB09         | 24366470  | CARBON FILM, 1/6W 47 OHM J         |
| RB10         | 24011101  | CHIP, METAL FILM, 1/20W 100 OHM J  |
| RB10         | 24366101  | CARBON FILM, 1/6W 100 OHM J        |
| RB11         | 24011222  | CHIP, METAL FILM, 1/20W 2.2K OHM J |
| RB11         | 24366103  | CARBON FILM, 1/6W 10K OHM J        |
| RB12         | 24366471  | CARBON FILM, 1/6W 470 OHM J        |
| RB39         | 24011103  | CHIP, METAL FILM, 1/20W 10K OHM J  |
| RB43         | 24011103  | CHIP, METAL FILM, 1/20W 10K OHM J  |
| RB45         | 24011101  | CHIP, METAL FILM, 1/20W 100 OHM J  |
| RB60         | 24011103  | CHIP, METAL FILM, 1/20W 10K OHM J  |
| RB81         | 24011122  | CHIP, METAL FILM, 1/20W 1.2K OHM J |
| RB82         | 24011123  | CHIP, METAL FILM, 1/20W 12K OHM J  |
| RB83         | 24011123  | CHIP, METAL FILM, 1/20W 12K OHM J  |
| RB90         | 24011392  | CHIP, METAL FILM, 1/20W 3.9K OHM J |
| RB91         | 24011473  | CHIP, METAL FILM, 1/20W 47K OHM J  |
| RB92         | 24011271  | CHIP, METAL FILM, 1/20W 270 OHM J  |
| RB93         | 24011271  | CHIP, METAL FILM, 1/20W 270 OHM J  |
| RB94         | 24011222  | CHIP, METAL FILM, 1/20W 2.2K OHM J |
| RB95         | 24011222  | CHIP, METAL FILM, 1/20W 2.2K OHM J |
| RB96         | 24011273  | CHIP, METAL FILM, 1/20W 27K OHM J  |
| RB97         | 24011273  | CHIP, METAL FILM, 1/20W 27K OHM J  |
| RB98         | 24011102  | CHIP, METAL FILM, 1/20W 1K OHM J   |
| RB604        | 24011102  | CHIP, METAL FILM, 1/20W 1K OHM J   |
| RC01         | 24011681  | CHIP, METAL FILM, 1/20W 680 OHM J  |
| RC02         | 24011681  | CHIP, METAL FILM, 1/20W 680 OHM J  |
| RC03         | 24011681  | CHIP, METAL FILM, 1/20W 680 OHM J  |
| RC04         | 24011681  | CHIP, METAL FILM, 1/20W 680 OHM J  |
| RC05         | 24011681  | CHIP, METAL FILM, 1/20W 680 OHM J  |

| Location No. | Parts No. | Description                        |
|--------------|-----------|------------------------------------|
| RC06         | 24011681  | CHIP, METAL FILM, 1/20W 680 OHM J  |
| RC07         | 24011681  | CHIP, METAL FILM, 1/20W 680 OHM J  |
| RC08         | 24011681  | CHIP, METAL FILM, 1/20W 680 OHM J  |
| RC60         | 24366681  | CARBON FILM, 1/6W 680 OHM J        |
| RC61         | 24366681  | CARBON FILM, 1/6W 680 OHM J        |
| RR01         | 24011102  | CHIP, METAL FILM, 1/20W 1K OHM J   |
| RR02         | 24011104  | CHIP, METAL FILM, 1/20W 100K OHM J |
| RR03         | 24011222  | CHIP, METAL FILM, 1/20W 2.2K OHM J |
| RR04         | 24011101  | CHIP, METAL FILM, 1/20W 100 OHM J  |
| RR05         | 24011102  | CHIP, METAL FILM, 1/20W 1K OHM J   |
| RR06         | 24011223  | CHIP, METAL FILM, 1/20W 22K OHM J  |
| RR07         | 24011152  | CHIP, METAL FILM, 1/20W 1.5K OHM J |
| RR09         | 24000445  | CHIP JUMPER, 1608TYPE              |
| RR10         | 24011102  | CHIP, METAL FILM, 1/20W 1K OHM J   |
| RR11         | 24011681  | CHIP, METAL FILM, 1/20W 680 OHM J  |
| RR12         | 24011152  | CHIP, METAL FILM, 1/20W 1.5K OHM J |
| RR13         | 24011152  | CHIP, METAL FILM, 1/20W 1.5K OHM J |
| RR15         | 24011391  | CHIP, METAL FILM, 1/20W 390 OHM J  |
| RR16         | 24011391  | CHIP, METAL FILM, 1/20W 390 OHM J  |
| RR17         | 24011391  | CHIP, METAL FILM, 1/20W 390 OHM J  |
| RR18         | 24011102  | CHIP, METAL FILM, 1/20W 1K OHM J   |
| RR22         | 24011103  | CHIP, METAL FILM, 1/20W 10K OHM J  |
| RR23         | 24011103  | CHIP, METAL FILM, 1/20W 10K OHM J  |
| RR35         | 24011392  | CHIP, METAL FILM, 1/20W 3.9K OHM J |
| RR36         | 24011392  | CHIP, METAL FILM, 1/20W 3.9K OHM J |
| RR37         | 24011392  | CHIP, METAL FILM, 1/20W 3.9K OHM J |
| RR40         | 24011102  | CHIP, METAL FILM, 1/20W 1K OHM J   |
| RR48         | 24011102  | CHIP, METAL FILM, 1/20W 1K OHM J   |
| RR61         | 24011222  | CHIP, METAL FILM, 1/20W 2.2K OHM J |
| RR63         | 24011332  | CHIP, METAL FILM, 1/20W 3.3K OHM J |
| RR64         | 24011152  | CHIP, METAL FILM, 1/20W 1.5K OHM J |
| RR65         | 24011102  | CHIP, METAL FILM, 1/20W 1K OHM J   |
| RR68         | 24011332  | CHIP, METAL FILM, 1/20W 3.3K OHM J |
| RR69         | 24011152  | CHIP, METAL FILM, 1/20W 1.5K OHM J |
| RR70         | 24011102  | CHIP, METAL FILM, 1/20W 1K OHM J   |
| RR74         | 24011102  | CHIP, METAL FILM, 1/20W 1K OHM J   |
| RR75         | 24011102  | CHIP, METAL FILM, 1/20W 1K OHM J   |
| RR85         | 24011102  | CHIP, METAL FILM, 1/20W 1K OHM J   |
| RR86         | 24011152  | CHIP, METAL FILM, 1/20W 1.5K OHM J |
| RR87         | 24011332  | CHIP, METAL FILM, 1/20W 3.3K OHM J |
| RR88         | 24011102  | CHIP, METAL FILM, 1/20W 1K OHM J   |
| RS01         | 24011271  | CHIP, METAL FILM, 1/20W 270 OHM J  |
| RS02         | 24011271  | CHIP, METAL FILM, 1/20W 270 OHM J  |
| RS03         | 24011562  | CHIP, METAL FILM, 1/20W 5.6K OHM J |
| RS04         | 24011562  | CHIP, METAL FILM, 1/20W 5.6K OHM J |
| RS05         | 24011562  | CHIP, METAL FILM, 1/20W 5.6K OHM J |
| RS06         | 24011562  | CHIP, METAL FILM, 1/20W 5.6K OHM J |
| RS07         | 24011562  | CHIP, METAL FILM, 1/20W 5.6K OHM J |
| RS08         | 24011562  | CHIP, METAL FILM, 1/20W 5.6K OHM J |
| RS09         | 24011562  | CHIP, METAL FILM, 1/20W 5.6K OHM J |
| RS10         | 24011562  | CHIP, METAL FILM, 1/20W 5.6K OHM J |
| RS11         | 24011562  | CHIP, METAL FILM, 1/20W 5.6K OHM J |
| RS12         | 24011562  | CHIP, METAL FILM, 1/20W 5.6K OHM J |
| RS13         | 24011101  | CHIP, METAL FILM, 1/20W 100 OHM J  |
| RS14         | 24011101  | CHIP, METAL FILM, 1/20W 100 OHM J  |
| RS15         | 24011104  | CHIP, METAL FILM, 1/20W 100K OHM J |
| RS16         | 24011104  | CHIP, METAL FILM, 1/20W 100K OHM J |
| RS17         | 24011223  | CHIP, METAL FILM, 1/20W 22K OHM J  |
| RS18         | 24011223  | CHIP, METAL FILM, 1/20W 22K OHM J  |
| RS19         | 24011681  | CHIP, METAL FILM, 1/20W 680 OHM J  |
| RS20         | 24011681  | CHIP, METAL FILM, 1/20W 680 OHM J  |
| RS21         | 24011222  | CHIP, METAL FILM, 1/20W 2.2K OHM J |
| RS22         | 24011222  | CHIP, METAL FILM, 1/20W 2.2K OHM J |
| RS23         | 24011223  | CHIP, METAL FILM, 1/20W 22K OHM J  |
| RS24         | 24011223  | CHIP, METAL FILM, 1/20W 22K OHM J  |

| Location No. | Parts No. | Description                        |
|--------------|-----------|------------------------------------|
| RS25         | 24011223  | CHIP, METAL FILM, 1/20W 22K OHM J  |
| RS26         | 24011223  | CHIP, METAL FILM, 1/20W 22K OHM J  |
| RS27         | 24011223  | CHIP, METAL FILM, 1/20W 22K OHM J  |
| RS28         | 24011223  | CHIP, METAL FILM, 1/20W 22K OHM J  |
| RS29         | 24011681  | CHIP, METAL FILM, 1/20W 680 OHM J  |
| RS30         | 24011681  | CHIP, METAL FILM, 1/20W 680 OHM J  |
| RS31         | 24011223  | CHIP, METAL FILM, 1/20W 22K OHM J  |
| RS32         | 24011223  | CHIP, METAL FILM, 1/20W 22K OHM J  |
| RS33         | 24011223  | CHIP, METAL FILM, 1/20W 22K OHM J  |
| RS34         | 24011223  | CHIP, METAL FILM, 1/20W 22K OHM J  |
| RS49         | 24011271  | CHIP, METAL FILM, 1/20W 270 OHM J  |
| RS50         | 24011271  | CHIP, METAL FILM, 1/20W 270 OHM J  |
| RS51         | 24011104  | CHIP, METAL FILM, 1/20W 100K OHM J |
| RS52         | 24011104  | CHIP, METAL FILM, 1/20W 100K OHM J |
| RS53         | 24011223  | CHIP, METAL FILM, 1/20W 22K OHM J  |
| RS54         | 24011223  | CHIP, METAL FILM, 1/20W 22K OHM J  |
| RS55         | 24011103  | CHIP, METAL FILM, 1/20W 10K OHM J  |
| RS56         | 24011104  | CHIP, METAL FILM, 1/20W 100K OHM J |
| RT01         | 24011101  | CHIP, METAL FILM, 1/20W 100 OHM J  |
| RT02         | 24011101  | CHIP, METAL FILM, 1/20W 100 OHM J  |
| RT03         | 24011102  | CHIP, METAL FILM, 1/20W 1K OHM J   |
| RT04         | 24011102  | CHIP, METAL FILM, 1/20W 1K OHM J   |
| RT05         | 24011100  | CHIP, METAL FILM, 1/20W 10 OHM J   |
| RT06         | 24011332  | CHIP, METAL FILM, 1/20W 3.3K OHM J |
| RT07         | 24011473  | CHIP, METAL FILM, 1/20W 47K OHM J  |
| RT08         | 24011473  | CHIP, METAL FILM, 1/20W 47K OHM J  |
| RT09         | 24011332  | CHIP, METAL FILM, 1/20W 3.3K OHM J |
| RT10         | 24011222  | CHIP, METAL FILM, 1/20W 2.2K OHM J |
| RT11         | 24011332  | CHIP, METAL FILM, 1/20W 3.3K OHM J |
| RT12         | 24011222  | CHIP, METAL FILM, 1/20W 2.2K OHM J |
| RT13         | 24011102  | CHIP, METAL FILM, 1/20W 1K OHM J   |
| RT14         | 24011102  | CHIP, METAL FILM, 1/20W 1K OHM J   |
| RT15         | 24011473  | CHIP, METAL FILM, 1/20W 47K OHM J  |
| RT16         | 24011473  | CHIP, METAL FILM, 1/20W 47K OHM J  |
| RT18         | 24011223  | CHIP, METAL FILM, 1/20W 22K OHM J  |
| RT19         | 24000445  | CHIP JUMPER, 1608TYPE              |
| RT20         | 24011102  | CHIP, METAL FILM, 1/20W 1K OHM J   |
| RT21         | 24011332  | CHIP, METAL FILM, 1/20W 3.3K OHM J |
| RT22         | 24011222  | CHIP, METAL FILM, 1/20W 2.2K OHM J |
| RT23         | 24000445  | CHIP JUMPER, 1608TYPE              |
| RT24         | 24000594  | CHIP 1/16W 123F                    |
| RT26         | 24011472  | CHIP, METAL FILM, 1/20W 4.7K OHM J |
| RT27         | 24000594  | CHIP 1/16W 123F                    |
| RT28         | 24011101  | CHIP, METAL FILM, 1/20W 100 OHM J  |
| RT29         | 24011101  | CHIP, METAL FILM, 1/20W 100 OHM J  |
| RT30         | 24011473  | CHIP, METAL FILM, 1/20W 47K OHM J  |
| RT31         | 24011103  | CHIP, METAL FILM, 1/20W 10K OHM J  |
| RT32         | 24011103  | CHIP, METAL FILM, 1/20W 10K OHM J  |
| RT33         | 24011472  | CHIP, METAL FILM, 1/20W 4.7K OHM J |
| RT34         | 24011222  | CHIP, METAL FILM, 1/20W 2.2K OHM J |
| RT35         | 24011102  | CHIP, METAL FILM, 1/20W 1K OHM J   |
| RT37         | 24011101  | CHIP, METAL FILM, 1/20W 100 OHM J  |
| RT38         | 24011151  | CHIP, METAL FILM, 1/20W 150 OHM J  |
| RT39         | 24011561  | CHIP, METAL FILM, 1/20W 560 OHM J  |
| RT40         | 24011151  | CHIP, METAL FILM, 1/20W 150 OHM J  |
| RT42         | 24011470  | CHIP, METAL FILM, 1/20W 47 OHM J   |
| RT43         | 24011151  | CHIP, METAL FILM, 1/20W 150 OHM J  |
| RT44         | 24011103  | CHIP, METAL FILM, 1/20W 10K OHM J  |
| RV07         | 24011103  | CHIP, METAL FILM, 1/20W 10K OHM J  |
| RV08         | 24011103  | CHIP, METAL FILM, 1/20W 10K OHM J  |
| RV09         | 24011101  | CHIP, METAL FILM, 1/20W 100 OHM J  |
| RV10         | 24011101  | CHIP, METAL FILM, 1/20W 100 OHM J  |
| RV22         | 24011222  | CHIP, METAL FILM, 1/20W 2.2K OHM J |
| RV23         | 24552101  | OXIDE METAL FILM, 1/2W 100 OHM J   |
| RV24         | 24011181  | CHIP, METAL FILM, 1/20W 180 OHM J  |

| Location No. | Parts No. | Description                        |
|--------------|-----------|------------------------------------|
| RV25         | 24011101  | CHIP, METAL FILM, 1/20W 100 OHM J  |
| RV26         | 24011102  | CHIP, METAL FILM, 1/20W 1K OHM J   |
| RV27         | 24872750  | CHIP, METAL FILM, 1/16W 75 OHM J   |
| RV28         | 24011562  | CHIP, METAL FILM, 1/20W 5.6K OHM J |
| RV29         | 24011103  | CHIP, METAL FILM, 1/20W 10K OHM J  |
| RV30         | 24872750  | CHIP, METAL FILM, 1/16W 75 OHM J   |
| RV32         | 24872750  | CHIP, METAL FILM, 1/16W 75 OHM J   |
| RV33         | 24011562  | CHIP, METAL FILM, 1/20W 5.6K OHM J |
| RV34         | 24011562  | CHIP, METAL FILM, 1/20W 5.6K OHM J |
| RV37         | 24872750  | CHIP, METAL FILM, 1/16W 75 OHM J   |
| RV38         | 24872750  | CHIP, METAL FILM, 1/16W 75 OHM J   |
| RV40         | 24011332  | CHIP, METAL FILM, 1/20W 3.3K OHM J |
| RV41         | 24011222  | CHIP, METAL FILM, 1/20W 2.2K OHM J |
| RV42         | 24011101  | CHIP, METAL FILM, 1/20W 100 OHM J  |
| RV43         | 24011152  | CHIP, METAL FILM, 1/20W 1.5K OHM J |
| RV44         | 24011102  | CHIP, METAL FILM, 1/20W 1K OHM J   |
| RV45         | 24011222  | CHIP, METAL FILM, 1/20W 2.2K OHM J |
| RV46         | 24011102  | CHIP, METAL FILM, 1/20W 1K OHM J   |
| RV61         | 24552101  | OXIDE METAL FILM, 1/2W 100 OHM J   |
| RV62         | 24011101  | CHIP, METAL FILM, 1/20W 100 OHM J  |
| RV63         | 24011102  | CHIP, METAL FILM, 1/20W 1K OHM J   |
| RV64         | 24872750  | CHIP, METAL FILM, 1/16W 75 OHM J   |
| RV65         | 24552101  | OXIDE METAL FILM, 1/2W 100 OHM J   |
| RV66         | 24872750  | CHIP, METAL FILM, 1/16W 75 OHM J   |
| RV67         | 24011102  | CHIP, METAL FILM, 1/20W 1K OHM J   |
| RV68         | 24011101  | CHIP, METAL FILM, 1/20W 100 OHM J  |
| RV76         | 24011103  | CHIP, METAL FILM, 1/20W 10K OHM J  |
| RV81         | 24872750  | CHIP, METAL FILM, 1/16W 75 OHM J   |
| RV85         | 24872750  | CHIP, METAL FILM, 1/16W 75 OHM J   |
| RV86         | 24872750  | CHIP, METAL FILM, 1/16W 75 OHM J   |
| RV87         | 24872750  | CHIP, METAL FILM, 1/16W 75 OHM J   |
| RV88         | 24872151  | CHIP, METAL FILM, 1/16W 150 OHM J  |
| RV89         | 24872151  | CHIP, METAL FILM, 1/16W 150 OHM J  |
| RV94         | 24011750  | CHIP, METAL FILM, 1/20W 75 OHM J   |
| RV95         | 24011750  | CHIP, METAL FILM, 1/20W 75 OHM J   |
| RV96         | 24011750  | CHIP, METAL FILM, 1/20W 75 OHM J   |
| RW02         | 24366271  | CARBON FILM, 1/6W 270 OHM J        |
| RW02         | 24872563  | CHIP, METAL FILM, 1/16W 56K OHM J  |
| RW03         | 24872393  | CHIP, METAL FILM, 1/16W 39K OHM J  |
| RW04         | 24872560  | CHIP, METAL FILM, 1/16W 56 OHM J   |
| RW05         | 24872102  | CHIP, METAL FILM, 1/16W 1K OHM J   |
| RW06         | 24872151  | CHIP, METAL FILM, 1/16W 150 OHM J  |
| RW07         | 24872222  | CHIP, METAL FILM, 1/16W 2.2K OHM J |
| RW08         | 24872821  | CHIP, METAL FILM, 1/16W 820 OHM J  |
| RW09         | 24366563  | CARBON FILM, 1/6W 56K OHM J        |
| RW09         | 24872560  | CHIP, METAL FILM, 1/16W 56 OHM J   |
| RW10         | 24872152  | CHIP, METAL FILM, 1/16W 1.5K OHM J |
| RW11         | 24872561  | CHIP, METAL FILM, 1/16W 560 OHM J  |
| RW12         | 24872272  | CHIP, METAL FILM, 1/16W 2.7K OHM J |
| RW13         | 24366393  | CARBON FILM, 1/6W 39K OHM J        |
| RW13         | 24872821  | CHIP, METAL FILM, 1/16W 820 OHM J  |
| RW14         | 24552121  | OXIDE METAL FILM, 1/2W 120 OHM J   |
| RW14         | 24872560  | CHIP, METAL FILM, 1/16W 56 OHM J   |
| RW15         | 24366473  | CARBON FILM, 1/6W 47K OHM J        |
| RW15         | 24872152  | CHIP, METAL FILM, 1/16W 1.5K OHM J |
| RW16         | 24366273  | CARBON FILM, 1/6W 27K OHM J        |
| RW16         | 24872561  | CHIP, METAL FILM, 1/16W 560 OHM J  |
| RW17         | 24366333  | CARBON FILM, 1/6W 33K OHM J        |
| RW17         | 24872272  | CHIP, METAL FILM, 1/16W 2.7K OHM J |
| RW18         | 24366101  | CARBON FILM, 1/6W 100 OHM J        |
| RW18         | 24872821  | CHIP, METAL FILM, 1/16W 820 OHM J  |
| RW19         | 24366100  | CARBON FILM, 1/6W 10 OHM J         |
| RW20         | 24366392  | CARBON FILM, 1/6W 3.9K OHM J       |
| RW20         | 24872101  | CHIP, METAL FILM, 1/16W 100 OHM J  |
| RW21         | 24872102  | CHIP, METAL FILM, 1/16W 1K OHM J   |

| Location No. | Parts No. | Description                        |
|--------------|-----------|------------------------------------|
| RW22         | 24366102  | CARBON FILM, 1/6W 1K OHM J         |
| RW22         | 24872101  | CHIP, METAL FILM, 1/16W 100 OHM J  |
| RW23         | 24366101  | CARBON FILM, 1/6W 100 OHM J        |
| RW23         | 24872821  | CHIP, METAL FILM, 1/16W 820 OHM J  |
| RW24         | 24366331  | CARBON FILM, 1/6W 330 OHM J        |
| RW24         | 24872821  | CHIP, METAL FILM, 1/16W 820 OHM J  |
| RW25         | 24366182  | CARBON FILM, 1/6W 1.8K OHM J       |
| RW25         | 24872101  | CHIP, METAL FILM, 1/16W 100 OHM J  |
| RW26         | 24872101  | CHIP, METAL FILM, 1/16W 100 OHM J  |
| RW27         | 24872102  | CHIP, METAL FILM, 1/16W 1K OHM J   |
| RW28         | 24872271  | CHIP, METAL FILM, 1/16W 270 OHM J  |
| RW29         | 24872392  | CHIP, METAL FILM, 1/16W 3.9K OHM J |
| RW30         | 24552100  | OXIDE METAL FILM, 1/2W 10 OHM J    |
| RW30         | 24872152  | CHIP, METAL FILM, 1/16W 1.5K OHM J |
| RW31         | 24552331  | OXIDE METAL FILM, 1/2W 330 OHM J   |
| RW31         | 24872101  | CHIP, METAL FILM, 1/16W 100 OHM J  |
| RW32         | 24366820  | CARBON FILM, 1/6W 82 OHM J         |
| RW32         | 24872101  | CHIP, METAL FILM, 1/16W 100 OHM J  |
| RW33         | 24366683  | CARBON FILM, 1/6W 68K OHM J        |
| RW33         | 24872102  | CHIP, METAL FILM, 1/16W 1K OHM J   |
| RW34         | 24366820  | CARBON FILM, 1/6W 82 OHM J         |
| RW34         | 24872271  | CHIP, METAL FILM, 1/16W 270 OHM J  |
| RW35         | 24366683  | CARBON FILM, 1/6W 68K OHM J        |
| RW35         | 24872392  | CHIP, METAL FILM, 1/16W 3.9K OHM J |
| RW36         | 24366330  | CARBON FILM, 1/6W 33 OHM J         |
| RW36         | 24872152  | CHIP, METAL FILM, 1/16W 1.5K OHM J |
| RW37         | 24366152  | CARBON FILM, 1/6W 1.5K OHM J       |
| RW37         | 24872101  | CHIP, METAL FILM, 1/16W 100 OHM J  |
| RW38         | 24366102  | CARBON FILM, 1/6W 1K OHM J         |
| RW39         | 24366152  | CARBON FILM, 1/6W 1.5K OHM J       |
| RW40         | 24366330  | CARBON FILM, 1/6W 33 OHM J         |
| RW41         | 24366279  | CARBON FILM, 1/6W 2.7 OHM J        |
| RW41         | 24872101  | CHIP, METAL FILM, 1/16W 100 OHM J  |
| RW42         | 24366279  | CARBON FILM, 1/6W 2.7 OHM J        |
| RW42         | 24872101  | CHIP, METAL FILM, 1/16W 100 OHM J  |
| RW43         | 24554221  | OXIDE METAL FILM, 2W 220 OHM J     |
| RW43         | 24872182  | CHIP, METAL FILM, 1/16W 1.8K OHM J |
| RW44         | 24366122  | CARBON FILM, 1/6W 1.2K OHM J       |
| RW44         | 24872181  | CHIP, METAL FILM, 1/16W 180 OHM J  |
| RW45         | 24366122  | CARBON FILM, 1/6W 1.2K OHM J       |
| RW46         | 24872101  | CHIP, METAL FILM, 1/16W 100 OHM J  |
| RW47         | 24872222  | CHIP, METAL FILM, 1/16W 2.2K OHM J |
| RW60         | 24000824  | JUMPER CHIP, 2125TYPE              |
| RW61         | 24872472  | CHIP, METAL FILM, 1/16W 4.7K OHM J |
| RW62         | 24872622  | CHIP, METAL FILM, 1/16W 6.2K OHM J |
| RW63         | 24872101  | CHIP, METAL FILM, 1/16W 100 OHM J  |
| RW64         | 24872101  | CHIP, METAL FILM, 1/16W 100 OHM J  |
| RW65         | 24872101  | CHIP, METAL FILM, 1/16W 100 OHM J  |
| RW66         | 24872681  | CHIP, METAL FILM, 1/16W 680 OHM J  |
| RW67         | 24872222  | CHIP, METAL FILM, 1/16W 2.2K OHM J |
| RW68         | 24872222  | CHIP, METAL FILM, 1/16W 2.2K OHM J |
| RW69         | 24872222  | CHIP, METAL FILM, 1/16W 2.2K OHM J |
| RW70         | 24872333  | CHIP, METAL FILM, 1/16W 33K OHM J  |
| RW71         | 24872182  | CHIP, METAL FILM, 1/16W 1.8K OHM J |
| RW72         | 24872182  | CHIP, METAL FILM, 1/16W 1.8K OHM J |
| RW73         | 24872103  | CHIP, METAL FILM, 1/16W 10K OHM J  |
| RW74         | 24872332  | CHIP, METAL FILM, 1/16W 3.3K OHM J |
| RW76         | 24872182  | CHIP, METAL FILM, 1/16W 1.8K OHM J |
| RW77         | 24000824  | JUMPER CHIP, 2125TYPE              |
| RW78         | 24000824  | JUMPER CHIP, 2125TYPE              |
| RW79         | 24000824  | JUMPER CHIP, 2125TYPE              |
| RW80         | 24872331  | CHIP, METAL FILM, 1/16W 330 OHM J  |
| RW81         | 24872331  | CHIP, METAL FILM, 1/16W 330 OHM J  |
| RW82         | 24872102  | CHIP, METAL FILM, 1/16W 1K OHM J   |
| RW83         | 24872103  | CHIP, METAL FILM, 1/16W 10K OHM J  |

| Location No. | Parts No. | Description                        |
|--------------|-----------|------------------------------------|
| RW84         | 24872102  | CHIP, METAL FILM, 1/16W 1K OHM J   |
| RW85         | 24000824  | JUMPER CHIP, 2125TYPE              |
| RW89         | 24872102  | CHIP, METAL FILM, 1/16W 1K OHM J   |
| RW90         | 24000824  | JUMPER CHIP, 2125TYPE              |
| RW91         | 24872103  | CHIP, METAL FILM, 1/16W 10K OHM J  |
| RW92         | 24872103  | CHIP, METAL FILM, 1/16W 10K OHM J  |
| RW93         | 24872101  | CHIP, METAL FILM, 1/16W 100 OHM J  |
| RW94         | 24872101  | CHIP, METAL FILM, 1/16W 100 OHM J  |
| RW95         | 24872101  | CHIP, METAL FILM, 1/16W 100 OHM J  |
| RW96         | 24872102  | CHIP, METAL FILM, 1/16W 1K OHM J   |
| RW100        | 24872563  | CHIP, METAL FILM, 1/16W 56K OHM J  |
| RW101        | 24872393  | CHIP, METAL FILM, 1/16W 39K OHM J  |
| RW102        | 24872563  | CHIP, METAL FILM, 1/16W 56K OHM J  |
| RW103        | 24872393  | CHIP, METAL FILM, 1/16W 39K OHM J  |
| RW104        | 24872682  | CHIP, METAL FILM, 1/16W 6.8K OHM J |
| RW105        | 24872392  | CHIP, METAL FILM, 1/16W 3.9K OHM J |
| RW107        | 24872103  | CHIP, METAL FILM, 1/16W 10K OHM J  |
| RW108        | 24872333  | CHIP, METAL FILM, 1/16W 33K OHM J  |
| RW109        | 24872103  | CHIP, METAL FILM, 1/16W 10K OHM J  |
| RW110        | 24872333  | CHIP, METAL FILM, 1/16W 33K OHM J  |
| RW114        | 24872563  | CHIP, METAL FILM, 1/16W 56K OHM J  |
| RW116        | 24872222  | CHIP, METAL FILM, 1/16W 2.2K OHM J |
| RZ01         | 24011102  | CHIP, METAL FILM, 1/20W 1K OHM J   |
| RZ02         | 24011102  | CHIP, METAL FILM, 1/20W 1K OHM J   |
| RZ03         | 24011222  | CHIP, METAL FILM, 1/20W 2.2K OHM J |
| RZ04         | 24011102  | CHIP, METAL FILM, 1/20W 1K OHM J   |
| RZ05         | 24011471  | CHIP, METAL FILM, 1/20W 470 OHM J  |
| RZ06         | 24011331  | CHIP, METAL FILM, 1/20W 330 OHM J  |
| RZ08         | 24011471  | CHIP, METAL FILM, 1/20W 470 OHM J  |
| RZ13         | 24011102  | CHIP, METAL FILM, 1/20W 1K OHM J   |
| RZ14         | 24011102  | CHIP, METAL FILM, 1/20W 1K OHM J   |
| RZ15         | 24011102  | CHIP, METAL FILM, 1/20W 1K OHM J   |
| RZ17         | 24011391  | CHIP, METAL FILM, 1/20W 390 OHM J  |
| RZ18         | 24011391  | CHIP, METAL FILM, 1/20W 390 OHM J  |
| RZ29         | 24011101  | CHIP, METAL FILM, 1/20W 100 OHM J  |
| RZ30         | 24011101  | CHIP, METAL FILM, 1/20W 100 OHM J  |

**COILS & TRANSFORMERS**

|      |          |                                       |
|------|----------|---------------------------------------|
| L101 | 23221803 | COIL, CHOKE, TLN3040D                 |
| L201 | 23289840 | COIL, PEAKING, TRF4100AT              |
| L302 | 23248073 | COIL, CHOKE, TLN3299D                 |
| L303 | 23248073 | COIL, CHOKE, TLN3299D                 |
| L304 | 23103859 | COIL, CHOKE, TEM2011                  |
| L310 | 23237975 | COIL, PEAKING, TRF4101AC              |
| L311 | 23237975 | COIL, PEAKING, TRF4101AC              |
| L401 | 23289560 | COIL, PEAKING, TRF4560AF              |
| L402 | 23248244 | COIL, CHOKE, TLN3497AH                |
| L404 | 23248242 | COIL, CHOKE, TLN3495AH                |
| L405 | 23221076 | COIL, HORIZ/RF CHOKE, TLN1015R        |
| L406 | 23248243 | COIL, CHOKE, TLN3496AH                |
| L407 | 23103775 | COIL, FERRITE CHOKE, TEM2014          |
| L408 | 23103775 | COIL, FERRITE CHOKE, TEM2014          |
| L409 | 23237975 | COIL, PEAKING, TRF4101AC              |
| L441 | 23233052 | COIL, HORIZ. LINEARITY TLN2203AT      |
| L462 | 23231220 | COIL, DY&CONVER MIX YOKE, TDY707JT(R) |
| L463 | 23231220 | COIL, DY&CONVER MIX YOKE, TDY707JT(R) |
| L464 | 23231220 | COIL, DY&CONVER MIX YOKE, TDY707JT(R) |
| L472 | 23102441 | MAGNET, CONVERGENCE, MAG1094          |
| L473 | 23102441 | MAGNET, CONVERGENCE, MAG1094          |
| L474 | 23102441 | MAGNET, CONVERGENCE, MAG1094          |
| L501 | 23289470 | COIL, PEAKING, TRF4470AF              |
| L503 | 23289844 | COIL, PEAKING, TRF4470AT              |
| L504 | 23238714 | COIL, PEAKING, TRF4100AJ              |
| L505 | 23289840 | COIL, PEAKING, TRF4100AT              |
| L700 | 23103880 | COIL, CHOKE, TEM2011Y                 |

| Location No. | Parts No. | Description                 |
|--------------|-----------|-----------------------------|
| L701         | 23103866  | FILTER, TEM2105T            |
| L702         | 23103866  | FILTER, TEM2105T            |
| L711         | 23238562  | COIL, PEAKING, TRF4109AJ    |
| L712         | 23238562  | COIL, PEAKING, TRF4109AJ    |
| L713         | 23238562  | COIL, PEAKING, TRF4109AJ    |
| L714         | 23238562  | COIL, PEAKING, TRF4109AJ    |
| L720         | 23289102  | COIL, PEAKING, TRF4102AF    |
| L721         | 23237805  | COIL, PEAKING, COLTRF4222AC |
| L722         | 23289102  | COIL, PEAKING, TRF4102AF    |
| L723         | 23237805  | COIL, PEAKING, COLTRF4222AC |
| L724         | 23289102  | COIL, PEAKING, TRF4102AF    |
| L725         | 23237805  | COIL, PEAKING, COLTRF4222AC |
| L726         | 23289102  | COIL, PEAKING, TRF4102AF    |
| L727         | 23237805  | COIL, PEAKING, COLTRF4222AC |
| L728         | 23289102  | COIL, PEAKING, TRF4102AF    |
| L729         | 23237805  | COIL, PEAKING, COLTRF4222AC |
| L730         | 23289102  | COIL, PEAKING, TRF4102AF    |
| L731         | 23237805  | COIL, PEAKING, COLTRF4222AC |
| L737         | 23289560  | COIL, PEAKING, TRF4560AF    |
| L738         | 23289560  | COIL, PEAKING, TRF4560AF    |
| L739         | 23289560  | COIL, PEAKING, TRF4560AF    |
| L740         | 23289560  | COIL, PEAKING, TRF4560AF    |
| L753         | 23103866  | FILTER, TEM2105T            |
| L754         | 23103866  | FILTER, TEM2105T            |
| L803         | 23103880  | COIL, CHOKE, TEM2011Y       |
| L804         | 23103940  | COIL, CHOKE, TEM2001        |
| L823         | 23248073  | COIL, CHOKE, TLN3299D       |
| L824         | 23248073  | COIL, CHOKE, TLN3299D       |
| L839         | 23289842  | COIL, PEAKING, TRF4220AT    |
| L853         | 23248073  | COIL, CHOKE, TLN3299D       |
| L853         | 23248195  | COIL, CHOKE, TLN3441AT      |
| L854         | 23248195  | COIL, CHOKE, TLN3441AT      |
| L856         | 23103880  | COIL, CHOKE, TEM2011Y       |
| L857         | 23103880  | COIL, CHOKE, TEM2011Y       |
| L858         | 23103880  | COIL, CHOKE, TEM2011Y       |
| L859         | 23103880  | COIL, CHOKE, TEM2011Y       |
| L860         | 23280018  | COIL, PEAKING, TRF4220AZ    |
| L861         | 23103880  | COIL, CHOKE, TEM2011Y       |
| L862         | 23248073  | COIL, CHOKE, TLN3299D       |
| L863         | 23103880  | COIL, CHOKE, TEM2011Y       |
| L864         | 23103880  | COIL, CHOKE, TEM2011Y       |
| L865         | 23103880  | COIL, CHOKE, TEM2011Y       |
| L866         | 23248073  | COIL, CHOKE, TLN3299D       |
| L867         | 23248073  | COIL, CHOKE, TLN3299D       |
| L868         | 23103880  | COIL, CHOKE, TEM2011Y       |
| L869         | 23103880  | COIL, CHOKE, TEM2011Y       |
| L871         | 23248073  | COIL, CHOKE, TLN3299D       |
| L911         | 23237987  | COIL, PEAKING, TRF4100AC    |
| L961         | 23289100  | COIL, PEAKING, TRF4100AF    |
| L962         | 23237991  | COIL, PEAKING, TRF4479AC    |
| L963         | 23237975  | COIL, PEAKING, TRF4101AC    |
| L4471        | 23289840  | COIL, PEAKING, TRF4100AT    |
| L7701        | 23103880  | COIL, CHOKE, TEM2011Y       |
| L7702        | 23103880  | COIL, CHOKE, TEM2011Y       |
| L7703        | 23103880  | COIL, CHOKE, TEM2011Y       |
| L7704        | 23103880  | COIL, CHOKE, TEM2011Y       |
| L7705        | 23103880  | COIL, CHOKE, TEM2011Y       |
| L7706        | 23103880  | COIL, CHOKE, TEM2011Y       |
| LA01         | 23289840  | COIL, PEAKING, TRF4100AT    |
| LC01         | 23103828  | INDUCTOR, BEAD, TEM2121M    |
| LC02         | 23103828  | INDUCTOR, BEAD, TEM2121M    |
| LC03         | 23103828  | INDUCTOR, BEAD, TEM2121M    |
| LC04         | 23103828  | INDUCTOR, BEAD, TEM2121M    |
| LC05         | 23103828  | INDUCTOR, BEAD, TEM2121M    |
| LC06         | 23103828  | INDUCTOR, BEAD, TEM2121M    |

| Location No. | Parts No. | Description                          |
|--------------|-----------|--------------------------------------|
| LC07         | 23238562  | COIL, PEAKING, TRF4109AJ             |
| LC08         | 23238562  | COIL, PEAKING, TRF4109AJ             |
| LC09         | 23103828  | INDUCTOR, BEAD, TEM2121M             |
| LC10         | 23103828  | INDUCTOR, BEAD, TEM2121M             |
| LC11         | 23103828  | INDUCTOR, BEAD, TEM2121M             |
| LC12         | 23238562  | COIL, PEAKING, TRF4109AJ             |
| LC12         | 24000445  | CHIP JUMPER, 1608TYPE                |
| LC43         | 23103828  | INDUCTOR, BEAD, TEM2121M             |
| LC45         | 23238562  | COIL, PEAKING, TRF4109AJ             |
| LG102        | 23103828  | INDUCTOR, BEAD, TEM2121M             |
| LR01         | 23289109  | COIL, PEAKING, TRF41R0AF             |
| LR02         | 23289109  | COIL, PEAKING, TRF41R0AF             |
| LR22         | 23103845  | COIL, COMMONMODE, TEM2030AY          |
| LR23         | 23103845  | COIL, COMMONMODE, TEM2030AY          |
| LT01         | 23103828  | INDUCTOR, BEAD, TEM2121M             |
| LT02         | 23103828  | INDUCTOR, BEAD, TEM2121M             |
| LT03         | 23103828  | INDUCTOR, BEAD, TEM2121M             |
| LT04         | 23103828  | INDUCTOR, BEAD, TEM2121M             |
| LT05         | 23103828  | INDUCTOR, BEAD, TEM2121M             |
| LT07         | 23103828  | INDUCTOR, BEAD, TEM2121M             |
| LT08         | 23103828  | INDUCTOR, BEAD, TEM2121M             |
| LT09         | 23103828  | INDUCTOR, BEAD, TEM2121M             |
| LT11         | 23103828  | INDUCTOR, BEAD, TEM2121M             |
| LT12         | 23103828  | INDUCTOR, BEAD, TEM2121M             |
| LV09         | 23289840  | COIL, PEAKING, TRF4100AT             |
| LV42         | 23289840  | COIL, PEAKING, TRF4100AT             |
| LV43         | 23289840  | COIL, PEAKING, TRF4100AT             |
| LW01         | 23103806  | INDUCTOR, BEAD, TEM2114T             |
| LW02         | 23103806  | INDUCTOR, BEAD, TEM2114T             |
| LW02         | 23261974  | COIL, FERRITE BEAD, HC5-035          |
| LW03         | 23103806  | INDUCTOR, BEAD, TEM2114T             |
| LW04         | 23103859  | COIL, CHOKE, TEM2011                 |
| LW04         | 24000824  | JUMPER CHIP, 2125TYPE                |
| LW05         | 23103822  | INDUCTOR, BEAD, TEM2117T             |
| LW05         | 23103859  | COIL, CHOKE, TEM2011                 |
| LW06         | 23103822  | INDUCTOR, BEAD, TEM2117T             |
| LW07         | 23103822  | INDUCTOR, BEAD, TEM2117T             |
| LW08         | 23289100  | COIL, PEAKING, TRF4100AF             |
| LW09         | 23103822  | INDUCTOR, BEAD, TEM2117T             |
| LW10         | 23103806  | INDUCTOR, BEAD, TEM2114T             |
| LW12         | 23238718  | COIL, PEAKING, TRF4479AJ             |
| LW13         | 23238702  | COIL, PEAKING, TRF4101AJ             |
| LW14         | 23238702  | COIL, PEAKING, TRF4101AJ             |
| LW15         | 23238718  | COIL, PEAKING, TRF4479AJ             |
| LW16         | 23238718  | COIL, PEAKING, TRF4479AJ             |
| LW17         | 23238718  | COIL, PEAKING, TRF4479AJ             |
| LW41         | 23103806  | INDUCTOR, BEAD, TEM2114T             |
| LW42         | 23103806  | INDUCTOR, BEAD, TEM2114T             |
| LW80         | 23238562  | COIL, PEAKING, TRF4109AJ             |
| LW81         | 23238562  | COIL, PEAKING, TRF4109AJ             |
| LZ01         | 23238714  | COIL, PEAKING, TRF4100AJ             |
| LZ02         | 23238710  | COIL, PEAKING, TRF4220AJ             |
| LZ03         | 23238714  | COIL, PEAKING, TRF4100AJ             |
| LZ04         | 23238714  | COIL, PEAKING, TRF4100AJ             |
| LZ05         | 23238714  | COIL, PEAKING, TRF4100AJ             |
| LZ06         | 23221099  | COIL, COMON MODE FILTER TEM2027AD    |
| LZ07         | 23103827  | INDUCTOR, BEAD, TEM2120M             |
| LZ09         | 23103827  | INDUCTOR, BEAD, TEM2120M             |
| LZ10         | 23103827  | INDUCTOR, BEAD, TEM2120M             |
| T400         | 23224364  | TRANSFORMER, FOCUS, TLN2168AH        |
| T401         | 23224367  | TRANSFORMER, HORIZ DRIVER, TLN1098AH |
| △ T461       | 23236688  | TRANSFORMER, FLYBACK, TFB3091AD      |
| T461A        | 23192961  | ANODE CAP ASSY, TCC5605AU            |
| T801         | 23211731  | COIL, LINE FILTER, TRF3164AC         |

| Location No.          | Parts No. | Description                                    |
|-----------------------|-----------|--|
| T802                  | 23217479  | TRANSFORMER, CHOKE, TPW2029AZ                  |
| T803                  | 23217432  | TRANSFORMER, POWER, TPW1562AZ                  |
| △ T862                | 23217463  | TRANSFORMER, CONVERTER, TPW3447AS              |
| <b>SEMICONDUCTORS</b> |           |  |
| Q201                  | 23314794  | TRANSISTOR, VCEO=50V TO-92 2PC1815Y            |
| Q202                  | 23114425  | TRANSISTOR, 2SA1015-Y(TE                       |
| Q203                  | 23114425  | TRANSISTOR, 2SA1015-Y(TE                       |
| Q204                  | 23114425  | TRANSISTOR, 2SA1015-Y(TE                       |
| Q209                  | 23205112  | TRANSISTOR, 2SA1980UF-Y(                       |
| Q210                  | 23205112  | TRANSISTOR, 2SA1980UF-Y(                       |
| Q211                  | 23205116  | TRANSISTOR, 2SC5343UF-Y(B                      |
| Q212                  | 23205116  | TRANSISTOR, 2SC5343UF-Y(B                      |
| Q241                  | 23114755  | TRANSISTOR, 2SC2482FA-1                        |
| Q261                  | 23205112  | TRANSISTOR, 2SA1980UF-Y(                       |
| Q262                  | 23205116  | TRANSISTOR, 2SC5343UF-Y(B                      |
| Q263                  | 23205116  | TRANSISTOR, 2SC5343UF-Y(B                      |
| Q274                  | 23205116  | TRANSISTOR, 2SC5343UF-Y(B                      |
| Q301                  | 23319787  | IC, LA7833S                                    |
| Q301B                 | 70391355  | SCREW, 3X8MM                                   |
| Q302                  | 23905266  | IC, DEF.PROCESSOR IC DIP 16 TA8859CP           |
| Q304                  | 70119059  | IC, OP AMP, TA75902P(J)                        |
| Q305                  | 23205112  | TRANSISTOR, 2SA1980UF-Y(                       |
| Q306                  | 70119059  | IC, OP AMP, TA75902P(J)                        |
| Q307                  | 23205116  | TRANSISTOR, 2SC5343UF-Y(B                      |
| Q370                  | 23205116  | TRANSISTOR, 2SC5343UF-Y(B                      |
| Q371                  | 23205112  | TRANSISTOR, 2SA1980UF-Y(                       |
| Q372                  | 23205116  | TRANSISTOR, 2SC5343UF-Y(B                      |
| Q381                  | 23205116  | TRANSISTOR, 2SC5343UF-Y(B                      |
| Q400                  | 23205079  | TRANSISTOR, 2SC4686A                           |
| Q402                  | 23114755  | TRANSISTOR, 2SC2482FA-1                        |
| Q404                  | 23314955  | TRANSISTOR, 2SD2553(FA)                        |
| Q404D                 | 72471082  | SCREW, 3X10MM                                  |
| Q405                  | 23114437  | TRANSISTOR, 2SC752GTM-Y                        |
| Q406                  | 23114437  | TRANSISTOR, 2SC752GTM-Y                        |
| Q407                  | 23205116  | TRANSISTOR, 2SC5343UF-Y(B                      |
| Q408                  | 23205112  | TRANSISTOR, 2SA1980UF-Y(                       |
| Q409                  | 23205116  | TRANSISTOR, 2SC5343UF-Y(B                      |
| Q420                  | 23114756  | TRANSISTOR, 2SC2482                            |
| Q425                  | 23205031  | TRANSISTOR, FET, 2SK2920                       |
| Q426                  | 23119747  | IC, OPE AMP TA75358P                           |
| Q427                  | 70128158  | IC, BA10393                                    |
| Q482                  | 23205116  | TRANSISTOR, 2SC5343UF-Y(B                      |
| Q492                  | 23314359  | TRANSISTOR, VCEO=-250V HFE TO92L2SA1321(FA, C) |
| Q501                  | 23000624  | IC, TB1274F(J)                                 |
| Q504                  | 23205112  | TRANSISTOR, 2SA1980UF-Y(                       |
| Q505                  | 23205112  | TRANSISTOR, 2SA1980UF-Y(                       |
| Q506                  | 23314794  | TRANSISTOR, VCEO=50V TO-92 2PC1815Y            |
| Q520                  | 23205014  | TRANSISTOR, 2SC4667-O                          |
| Q521                  | 23114501  | TRANSISTOR, RN1402                             |
| Q522                  | 23205112  | TRANSISTOR, 2SA1980UF-Y(                       |
| Q523                  | 23205112  | TRANSISTOR, 2SA1980UF-Y(                       |
| Q524                  | 23205014  | TRANSISTOR, 2SC4667-O                          |
| Q610                  | 23000269  | IC, TV SOUND OUT CPP 12PIN TA8216H             |
| Q610B                 | 70391355  | SCREW, 3X8MM                                   |
| Q611                  | 70114396  | TRANSISTOR, 2SC3326B                           |
| Q612                  | 70114396  | TRANSISTOR, 2SC3326B                           |
| Q614                  | 23114499  | TRANSISTOR, RN1404(TE85L                       |
| Q615                  | 23205112  | TRANSISTOR, 2SA1980UF-Y(                       |
| Q616                  | 23205112  | TRANSISTOR, 2SA1980UF-Y(                       |
| Q617                  | 23119690  | IC, OP AMP, TA75458P                           |
| Q618                  | 23205116  | TRANSISTOR, 2SC5343UF-Y(B                      |
| Q619                  | 23205116  | TRANSISTOR, 2SC5343UF-Y(B                      |

| Location No. | Parts No. | Description                           |
|--------------|-----------|---------------------------------------|
| Q620         | 23114493  | TRANSISTOR, CHIP R1=R2=47K SMT RN2404 |
| Q621         | 70114396  | TRANSISTOR, 2SC3326B                  |
| Q624         | 70114396  | TRANSISTOR, 2SC3326B                  |
| Q625         | 23114493  | TRANSISTOR, CHIP R1=R2=47K SMT RN2404 |
| Q626         | 23205116  | TRANSISTOR, 2SC5343UF-Y(B             |
| Q701         | 23000380  | IC, TC190C06A301                      |
| Q703         | 23905014  | IC, LC78816M                          |
| Q704         | 23905014  | IC, LC78816M                          |
| Q705         | 23905014  | IC, LC78816M                          |
| Q707         | 23905013  | IC, TLC2932IPW                        |
| Q709         | 23906908  | IC, MC33078D                          |
| Q711         | 23906924  | IC, CAT24WC16P                        |
| Q712         | 23906924  | IC, CAT24WC16P                        |
| Q713         | 23906924  | IC, CAT24WC16P                        |
| Q714         | 23318977  | IC, MC14052BF                         |
| Q715         | 23906908  | IC, MC33078D                          |
| Q717         | 23906908  | IC, MC33078D                          |
| Q719         | 23906908  | IC, MC33078D                          |
| Q750         | 23000928  | IC, SLA4501M                          |
| Q750B        | 23035310  | SCREW, BTB3X10SZN                     |
| Q751         | 23000928  | IC, SLA4501M                          |
| Q751B        | 23035310  | SCREW, BTB3X10SZN                     |
| Q753         | 23000928  | IC, SLA4501M                          |
| Q753B        | 23035310  | SCREW, BTB3X10SZN                     |
| Q754         | 23904521  | IC, AN7805                            |
| Q755         | 23904525  | IC, AN7809                            |
| Q756         | 23319267  | IC, AN79M12F                          |
| Q756B        | 23035310  | SCREW, BTB3X10SZN                     |
| Q761         | 70119306  | IC, DUAL COMPARATOR 8PIN DIP TA75393P |
| Q762         | 23000044  | IC, CMOS BILATERAL SWITCH TC4066BP(N) |
| Q764         | 23319372  | IC, TC74HC14AP                        |
| Q767         | 23000044  | IC, CMOS BILATERAL SWITCH TC4066BP(N) |
| Q798         | 23205116  | TRANSISTOR, 2SC5343UF-Y(B             |
| Q801         | 23906540  | IC, HYBRID VDS=400V STR-Z4267         |
| Q810         | 23904268  | IC, PQ05RR1                           |
| Q810B        | 70391355  | SCREW, 3X8MM                          |
| Q819         | 23314794  | TRANSISTOR, VCEO=50V TO-92 2PC1815Y   |
| Q830         | 23314794  | TRANSISTOR, VCEO=50V TO-92 2PC1815Y   |
| Q830         | 23905977  | IC, PQ09RD11                          |
| Q830B        | 70391355  | SCREW, 3X8MM                          |
| Q832         | 23905976  | IC, PQ05RD11                          |
| Q832B        | 70391355  | SCREW, 3X8MM                          |
| Q843         | 23314794  | TRANSISTOR, VCEO=50V TO-92 2PC1815Y   |
| △ Q862       | 23904427  | IC, PHOTO COUPLER, TLP621(GR-LF2      |
| Q863         | 23319305  | IC, SE140N                            |
| Q902         | 23114433  | TRANSISTOR, 2SC1815-Y                 |
| Q913         | 23114433  | TRANSISTOR, 2SC1815-Y                 |
| Q914         | 23114429  | TRANSISTOR, 2SC2120-Y(TE              |
| Q922         | 23114433  | TRANSISTOR, 2SC1815-Y                 |
| Q961         | 23114433  | TRANSISTOR, 2SC1815-Y                 |
| Q962         | 23114422  | TRANSISTOR, 2SA562TM-Y(T              |
| Q963         | 23114433  | TRANSISTOR, 2SC1815-Y                 |
| Q964         | 23114425  | TRANSISTOR, 2SA1015-Y(TE              |
| Q965         | 23114433  | TRANSISTOR, 2SC1815-Y                 |
| Q966         | 23114425  | TRANSISTOR, 2SA1015-Y(TE              |
| Q4451        | 23205116  | TRANSISTOR, 2SC5343UF-Y(B             |
| Q4452        | 23114497  | TRANSISTOR, RN1406                    |
| Q4453        | 23114497  | TRANSISTOR, RN1406                    |
| Q4454        | 23114497  | TRANSISTOR, RN1406                    |
| Q4471        | 23314794  | TRANSISTOR, VCEO=50V TO-92 2PC1815Y   |
| Q9601        | 23114425  | TRANSISTOR, 2SA1015-Y(TE              |
| Q9602        | 23114425  | TRANSISTOR, 2SA1015-Y(TE              |

| Location No. | Parts No. | Description                               |
|--------------|-----------|---|
| Q9605        | 23114433  | TRANSISTOR, 2SC1815-Y                     |
| Q9606        | 23114425  | TRANSISTOR, 2SA1015-Y(TE                  |
| QA01         | 23009139  | IC, 750010-187S                           |
| QA02         | 23906642  | IC, AT24C64-10PC                          |
| QA05         | 23205014  | TRANSISTOR, 2SC4667-O                     |
| QA60         | 23205116  | TRANSISTOR, 2SC5343UF-Y(B                 |
| QA61         | 23000864  | IC, 256K BIT CMOS EEPROM<br>AT24C256-10PC |
| QB01         | 23314791  | TRANSISTOR, VCEO=-50V TO-92 2PA1015Y      |
| QB03         | 23314791  | TRANSISTOR, VCEO=-50V TO-92 2PA1015Y      |
| QB04         | 23205112  | TRANSISTOR, 2SA1980UF-Y(                  |
| QB04         | 23314791  | TRANSISTOR, VCEO=-50V TO-92 2PA1015Y      |
| QB05         | 23205116  | TRANSISTOR, 2SC5343UF-Y(B                 |
| QB06         | 23205112  | TRANSISTOR, 2SA1980UF-Y(                  |
| QB81         | 70114396  | TRANSISTOR, 2SC3326B                      |
| QB82         | 70114396  | TRANSISTOR, 2SC3326B                      |
| QB83         | 23205112  | TRANSISTOR, 2SA1980UF-Y(                  |
| QB92         | 23205116  | TRANSISTOR, 2SC5343UF-Y(B                 |
| QB93         | 23205112  | TRANSISTOR, 2SA1980UF-Y(                  |
| QB94         | 23205112  | TRANSISTOR, 2SA1980UF-Y(                  |
| QB95         | 23205112  | TRANSISTOR, 2SA1980UF-Y(                  |
| QB96         | 23205112  | TRANSISTOR, 2SA1980UF-Y(                  |
| QR01         | 23009037  | IC, OSD 28SDIP 512CHR MB90096P-G-23       |
| QR03         | 23205112  | TRANSISTOR, 2SA1980UF-Y(                  |
| QR35         | 23205116  | TRANSISTOR, 2SC5343UF-Y(B                 |
| QR36         | 23205116  | TRANSISTOR, 2SC5343UF-Y(B                 |
| QR38         | 23205116  | TRANSISTOR, 2SC5343UF-Y(B                 |
| QR40         | 23205116  | TRANSISTOR, 2SC5343UF-Y(B                 |
| QS01         | 70114396  | TRANSISTOR, 2SC3326B                      |
| QS02         | 70114396  | TRANSISTOR, 2SC3326B                      |
| QS03         | 23205116  | TRANSISTOR, 2SC5343UF-Y(B                 |
| QS04         | 23205116  | TRANSISTOR, 2SC5343UF-Y(B                 |
| QS05         | 70114396  | TRANSISTOR, 2SC3326B                      |
| QS06         | 70114396  | TRANSISTOR, 2SC3326B                      |
| QS07         | 70114396  | TRANSISTOR, 2SC3326B                      |
| QS08         | 70114396  | TRANSISTOR, 2SC3326B                      |
| QS09         | 23114493  | TRANSISTOR, CHIP R1=R2=47K SMT<br>RN2404  |
| QT01         | 23000724  | IC, TELETEXT DECODER SAA5667HL-EUR        |
| QT02         | 23314993  | TRANSISTOR, 2SC4081 Q                     |
| QT05         | 23314993  | TRANSISTOR, 2SC4081 Q                     |
| QT06         | 23000283  | IC, 23000283L NI TOUITSU R1121Nx          |
| QT08         | 23314993  | TRANSISTOR, 2SC4081 Q                     |
| QT09         | 23000727  | IC, SRAM 1M M5M51008BVP12                 |
| QT10         | 23314993  | TRANSISTOR, 2SC4081 Q                     |
| QT11         | 23009114  | IC, BD4746G-TR                            |
| QT12         | 23314994  | TRANSISTOR, 2SA1576A106                   |
| QT13         | 23314994  | TRANSISTOR, 2SA1576A106                   |
| QT14         | 23314994  | TRANSISTOR, 2SA1576A106                   |
| QT15         | 23314994  | TRANSISTOR, 2SA1576A106                   |
| QV01         | 23000368  | IC, A/V SW SOP-44 MM1495XF                |
| QV02         | 23205116  | TRANSISTOR, 2SC5343UF-Y(B                 |
| QV03         | 23205116  | TRANSISTOR, 2SC5343UF-Y(B                 |
| QV04         | 23205116  | TRANSISTOR, 2SC5343UF-Y(B                 |
| QV05         | 23205112  | TRANSISTOR, 2SA1980UF-Y(                  |
| QV09         | 23314794  | TRANSISTOR, VCEO=50V TO-92 2PC1815Y       |
| QV12         | 23314794  | TRANSISTOR, VCEO=50V TO-92 2PC1815Y       |
| QV14         | 23314794  | TRANSISTOR, VCEO=50V TO-92 2PC1815Y       |
| QW02         | 23905013  | IC, TLC2932IPW                            |
| QW03         | 23318825  | IC, TC7S32F                               |
| QW04         | 23318823  | IC, TC7S04F                               |
| QW05         | 23318825  | IC, TC7S32F                               |
| QW06         | 23114433  | TRANSISTOR, 2SC1815-Y                     |
| QW06         | 23904396  | IC, TC7S14F                               |
| QW07         | 23114437  | TRANSISTOR, 2SC752GTM-Y                   |

| Location No. | Parts No. | Description                                    |
|--------------|-----------|--|
| QW07         | 23904122  | IC, TC7S86F                                    |
| QW09         | 23114433  | TRANSISTOR, 2SC1815-Y                          |
| QW10         | 23114425  | TRANSISTOR, 2SA1015-Y(TE                       |
| QW10         | 23314204  | TRANSISTOR, 2SC2412K,Q                         |
| QW11         | 23314204  | TRANSISTOR, 2SC2412K,Q                         |
| QW12         | 23314204  | TRANSISTOR, 2SC2412K,Q                         |
| QW13         | 23314204  | TRANSISTOR, 2SC2412K,Q                         |
| QW14         | 23314204  | TRANSISTOR, 2SC2412K,Q                         |
| QW15         | 23314204  | TRANSISTOR, 2SC2412K,Q                         |
| QW18         | 23314204  | TRANSISTOR, 2SC2412K,Q                         |
| QW19         | 23114433  | TRANSISTOR, 2SC1815-Y                          |
| QW20         | 23114433  | TRANSISTOR, 2SC1815-Y                          |
| QW20         | 23314204  | TRANSISTOR, 2SC2412K,Q                         |
| QW21         | 23314202  | TRANSISTOR, 2SA1037K, Q, 23205045 NI<br>HENKOU |
| QW22         | 23314204  | TRANSISTOR, 2SC2412K,Q                         |
| QW23         | 23314202  | TRANSISTOR, 2SA1037K, Q, 23205045 NI<br>HENKOU |
| QW24         | 23314204  | TRANSISTOR, 2SC2412K,Q                         |
| QW25         | 23314202  | TRANSISTOR, 2SA1037K, Q, 23205045 NI<br>HENKOU |
| QW30         | 23314475  | TRANSISTOR, 2SC2712-Y                          |
| QW31         | 23906295  | IC, UPC29M33HB                                 |
| QW40         | 23314202  | TRANSISTOR, 2SA1037K, Q, 23205045 NI<br>HENKOU |
| QW41         | 23314202  | TRANSISTOR, 2SA1037K, Q, 23205045 NI<br>HENKOU |
| QW42         | 23314202  | TRANSISTOR, 2SA1037K, Q, 23205045 NI<br>HENKOU |
| QW43         | 23314202  | TRANSISTOR, 2SA1037K, Q, 23205045 NI<br>HENKOU |
| QW51         | 23314909  | TRANSISTOR, 2SA1837                            |
| QW52         | 23314912  | TRANSISTOR, 2SC4793                            |
| QZ01         | 23000796  | IC, CMOS MULTI COMB SOP28<br>TC90A69F(ELP)     |
| QZ02         | 23205116  | TRANSISTOR, 2SC5343UF-Y(B                      |
| QZ04         | 23205112  | TRANSISTOR, 2SA1980UF-Y(                       |
| QZ05         | 23205112  | TRANSISTOR, 2SA1980UF-Y(                       |
| QZ07         | 23205112  | TRANSISTOR, 2SA1980UF-Y(                       |
| QZ08         | 23205116  | TRANSISTOR, 2SC5343UF-Y(B                      |
| D101         | 23316755  | DIODE, ZENER, MTZJ33C                          |
| D201         | 23118041  | DIODE, MA111                                   |
| D301         | 23357169  | DIODE, ZENER, UDSZ6.8B                         |
| D302         | 23118094  | DIODE, EU2A                                    |
| D304         | 23316794  | DIODE, SC570A                                  |
| D305         | 23118822  | DIODE, ERB12-02                                |
| D306         | 23118822  | DIODE, ERB12-02                                |
| D308         | 23316583  | DIODE, ZENER, MA8039-H                         |
| D310         | 23118041  | DIODE, MA111                                   |
| D370         | 23118041  | DIODE, MA111                                   |
| D401         | 23118094  | DIODE, EU2A                                    |
| D402         | 23118094  | DIODE, EU2A                                    |
| D403         | 23316254  | DIODE, ERC06-15                                |
| D405         | 23316254  | DIODE, ERC06-15                                |
| D406         | 23115910  | DIODE, S5295G                                  |
| D412         | 23118707  | DIODE, RP-1H                                   |
| D413         | 23118707  | DIODE, RP-1H                                   |
| D420         | 23115599  | DIODE, 1N4148                                  |
| D421         | 23118094  | DIODE, EU2A                                    |
| D425         | 23118094  | DIODE, EU2A                                    |
| D426         | 23118275  | DIODE, ZENER, RD18MB2                          |
| D461         | 23316969  | DIODE, ERD29-06                                |
| D490         | 23115599  | DIODE, 1N4148                                  |
| D490         | 23115774  | DIODE, ZENER, RD6.2E(FA-1)                     |
| D491         | 23118041  | DIODE, MA111                                   |



| Location No. | Parts No. | Description              |
|--------------|-----------|--------------------------|
| D491         | 23316758  | DIODE, ZENER, MTZJ36B    |
| D492         | 23118621  | DIODE, ZENER, RD10ESA B3 |
| D503         | 23118041  | DIODE, MA111             |
| D505         | 23115599  | DIODE, 1N4148            |
| D505         | 23118041  | DIODE, MA111             |
| D506         | 23316673  | DIODE, ZENER, MTZJ5.6C   |
| D511         | 23357037  | DIODE, ZENER, UDZS5.6B   |
| D514         | 23357037  | DIODE, ZENER, UDZS5.6B   |
| D515         | 23357037  | DIODE, ZENER, UDZS5.6B   |
| D601         | 23118041  | DIODE, MA111             |
| D602         | 23118041  | DIODE, MA111             |
| D603         | 23118041  | DIODE, MA111             |
| D604         | 23118041  | DIODE, MA111             |
| D605         | 23118041  | DIODE, MA111             |
| D606         | 23118041  | DIODE, MA111             |
| D607         | 23118041  | DIODE, MA111             |
| D608         | 23118041  | DIODE, MA111             |
| D609         | 23118041  | DIODE, MA111             |
| D610         | 23118041  | DIODE, MA111             |
| D611         | 23118041  | DIODE, MA111             |
| D628         | 23118269  | DIODE, ZENER, RD22MB2    |
| D701         | 23115599  | DIODE, 1N4148            |
| D702         | 23115599  | DIODE, 1N4148            |
| D703         | 23115599  | DIODE, 1N4148            |
| D704         | 23115599  | DIODE, 1N4148            |
| D705         | 23316675  | DIODE, ZENER, MTZJ6.2B   |
| D706         | 23316675  | DIODE, ZENER, MTZJ6.2B   |
| D707         | 23316675  | DIODE, ZENER, MTZJ6.2B   |
| D801         | 23316962  | DIODE, S1WBA20           |
| D802         | 23357041  | DIODE, LN6SB60-F05       |
| D816         | 24000656  | VARIATOR, TNR15G471K     |
| D817         | 23115599  | DIODE, 1N4148            |
| D818         | 23316672  | DIODE, ZENER, MTZJ5.6B   |
| D820         | 23316757  | DIODE, ZENER, MTZJ36A    |
| D821         | 23115599  | DIODE, 1N4148            |
| D830         | 23115532  | DIODE, ERB12-01          |
| D830         | 23115599  | DIODE, 1N4148            |
| D832         | 23115532  | DIODE, ERB12-01          |
| D845         | 23357215  | DIODE, D4SBS6            |
| D845B        | 70391355  | SCREW, 3X8MM             |
| D846         | 23118060  | DIODE, AL01Z             |
| D854         | 23357214  | DIODE, D4SBS4            |
| D856         | 23357216  | DIODE, D4SBL20U          |
| D858         | 23115599  | DIODE, 1N4148            |
| D859         | 23357042  | DIODE, FMX-12S(023-108)  |
| D859B        | 70391355  | SCREW, 3X8MM             |
| D860         | 23357217  | DIODE, D4SBL40           |
| D862         | 23118057  | DIODE, AG01A             |
| D863         | 23316689  | DIODE, ZENER, MTZJ10A    |
| D864         | 23118060  | DIODE, AL01Z             |
| D873         | 23316747  | DIODE, ZENER, MTZJ27C    |
| D875         | 23316688  | DIODE, ZENER, MTZJ9.1C   |
| D876         | 23316753  | DIODE, ZENER, MTZJ33A    |
| D877         | 23316747  | DIODE, ZENER, MTZJ27C    |
| D878         | 23316686  | DIODE, ZENER, MTZJ9.1A   |
| D893         | 23316669  | DIODE, ZENER, MTZJ5.1B   |
| D894         | 23316745  | DIODE, ZENER, MTZJ27A    |
| D901         | 23115599  | DIODE, 1N4148            |
| D902         | 23115599  | DIODE, 1N4148            |
| D903         | 23115599  | DIODE, 1N4148            |
| D911         | 23115599  | DIODE, 1N4148            |
| D912         | 23115599  | DIODE, 1N4148            |
| D913         | 23115599  | DIODE, 1N4148            |
| D914         | 23115599  | DIODE, 1N4148            |
| D915         | 23115599  | DIODE, 1N4148            |

| Location No.         | Parts No. | Description                                  |
|----------------------|-----------|--|
| D921                 | 23115599  | DIODE, 1N4148                                |
| D922                 | 23115599  | DIODE, 1N4148                                |
| D924                 | 23115599  | DIODE, 1N4148                                |
| D925                 | 23115599  | DIODE, 1N4148                                |
| D926                 | 23115599  | DIODE, 1N4148                                |
| D965                 | 23115599  | DIODE, 1N4148                                |
| D966                 | 23115599  | DIODE, 1N4148                                |
| D4401                | 23118041  | DIODE, MA111                                 |
| D4402                | 23118041  | DIODE, MA111                                 |
| D4451                | 23115532  | DIODE, ERB12-01                              |
| D4452                | 23357170  | DIODE, ZENER, UDZS8.2B                       |
| D4453                | 23118041  | DIODE, MA111                                 |
| D4471                | 23357172  | DIODE, ZENER, UDZS10B                        |
| D4472                | 23118041  | DIODE, MA111                                 |
| D7703                | 23118538  | DIODE, ZENER, RD6.2ES                        |
| D7705                | 23118041  | DIODE, MA111                                 |
| D7706                | 23118041  | DIODE, MA111                                 |
| D7707                | 23118041  | DIODE, MA111                                 |
| D7708                | 23118041  | DIODE, MA111                                 |
| D7710                | 23316716  | DIODE, ZENER, MTZJ11B                        |
| D7713                | 23118041  | DIODE, MA111                                 |
| D7736                | 23118041  | DIODE, MA111                                 |
| D7743                | 23115532  | DIODE, ERB12-01                              |
| D7744                | 23115532  | DIODE, ERB12-01                              |
| DA42                 | 23316673  | DIODE, ZENER, MTZJ5.6C                       |
| DB01                 | 23358564  | LED, LAMP RED SLR-56VC3FPQ                   |
| DB02                 | 23358563  | LED, LAMP GREEN SLR-56MC3FPQR                |
| DB03                 | 23358563  | LED, LAMP GREEN SLR-56MC3FPQR                |
| DB04                 | 23358562  | LED, LAMP ORANGE SLR-56DC3FPQ                |
| DR01                 | 23118041  | DIODE, MA111                                 |
| DR02                 | 23118041  | DIODE, MA111                                 |
| DR03                 | 23118041  | DIODE, MA111                                 |
| DR61                 | 23118041  | DIODE, MA111                                 |
| DR62                 | 23118041  | DIODE, MA111                                 |
| DR63                 | 23118041  | DIODE, MA111                                 |
| DR70                 | 23357037  | DIODE, ZENER, UDZS5.6B                       |
| DV08                 | 23118041  | DIODE, MA111                                 |
| DW04                 | 23115599  | DIODE, 1N4148                                |
| DW05                 | 23115599  | DIODE, 1N4148                                |
| DW21                 | 23115599  | DIODE, 1N4148                                |
| <b>MISCELLANEOUS</b> |           |  |
| B224                 | 23035412  | SCREW, BTB4X12SZN                            |
| B230                 | 23037312  | SCREW, BTBW3X12SZN                           |
| B231                 | 23845856  | WIRE CLAMP, POF COAT) L=70MM                 |
| B233                 | 23035412  | SCREW, BTB4X12SZN                            |
| B236                 | 23037312  | SCREW, BTBW3X12SZN                           |
| B237                 | 23037312  | SCREW, BTBW3X12SZN                           |
| B240                 | 23035412  | SCREW, BTB4X12SZN                            |
| B241                 | 23035412  | SCREW, BTB4X12SZN                            |
| BB20A                | 23902749  | CONNECTOR, B-B, 6P                           |
| BB21A                | 23713013  | BASE SOCKET 16P 1.5                          |
| BB21B                | 23713014  | CONNECTOR, BRIDGE PLUG 16P 1.5               |
| BB23                 | 23902749  | CONNECTOR, B-B, 6P                           |
| BB23B                | 23368517  | CONNECTOR, B-B, 6P                           |
| BB24A                | 23713013  | BASE SOCKET 16P 1.5                          |
| BB24B                | 23713014  | CONNECTOR, BRIDGE PLUG 16P 1.5               |
| BB80A                | 23713013  | BASE SOCKET 16P 1.5                          |
| BB80B                | 23713014  | CONNECTOR, BRIDGE PLUG 16P 1.5               |
| BB82A                | 23713013  | BASE SOCKET 16P 1.5                          |
| BB82B                | 23713014  | CONNECTOR, BRIDGE PLUG 16P 1.5               |
| BB85A                | 23903022  | CONNECTOR, BASE B-B 8P 2.5 JST               |
| BB85B                | 23903022  | CONNECTOR, BASE B-B 8P 2.5 JST               |
| BB85C                | 23368627  | CONNECTOR, BRIDGE B-B 8P 2.5JST 08TM-2.5FJ-E |

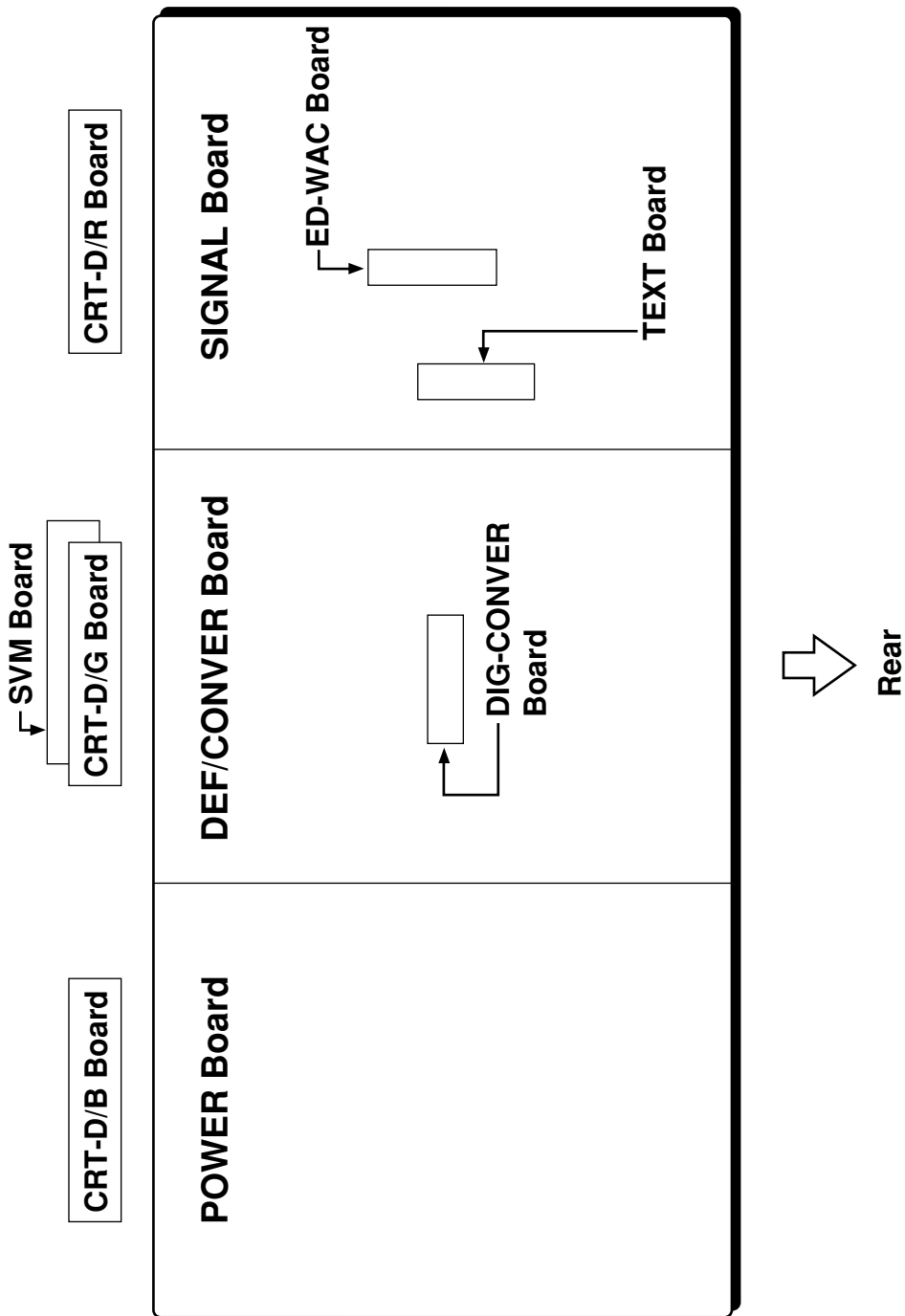
| Location No. | Parts No. | Description                       |
|--------------|-----------|-----------------------------------|
| BB701        | 23368517  | CONNECTOR, B-B, 6P                |
| E921         | 23964147  | COOLANT, COOLANT                  |
| E928         | 23858634  | SPACER (CRT HOLDER)               |
| E951         | 23964147  | COOLANT, COOLANT                  |
| E958         | 23858634  | SPACER (CRT HOLDER)               |
| E981         | 23964147  | COOLANT, COOLANT                  |
| E988         | 23858634  | SPACER (CRT HOLDER)               |
| △ F801       | 23144507  | FUSE, CARTRIDGE 5.2X20 250V 3.15A |
| F801A        | 23165433  | FUSE HOLDER, 5.2 SOC              |
| F801B        | 23165433  | FUSE HOLDER, 5.2 SOC              |
| G005         | 23115599  | DIODE, 1N4148                     |
| G023         | 24327180  | METAL FILM, 1/4W 180 OHM F        |
| G103         | 23103828  | INDUCTOR, BEAD, TEM2121M          |
| G510         | 23289479  | COIL, PEAKING, TRF44R7AF          |
| G601         | 24000445  | CHIP JUMPER, 1608TYPE             |
| G602         | 24000445  | CHIP JUMPER, 1608TYPE             |
| G603         | 24000445  | CHIP JUMPER, 1608TYPE             |
| G604         | 24000445  | CHIP JUMPER, 1608TYPE             |
| GA37         | 23103828  | INDUCTOR, BEAD, TEM2121M          |
| GA38         | 23103828  | INDUCTOR, BEAD, TEM2121M          |
| GA39         | 23103828  | INDUCTOR, BEAD, TEM2121M          |
| GA40         | 23103828  | INDUCTOR, BEAD, TEM2121M          |
| GA41         | 23103828  | INDUCTOR, BEAD, TEM2121M          |
| GC01         | 24000445  | CHIP JUMPER, 1608TYPE             |
| GC02         | 23103828  | INDUCTOR, BEAD, TEM2121M          |
| GC03         | 24000445  | CHIP JUMPER, 1608TYPE             |
| GC04         | 23103828  | INDUCTOR, BEAD, TEM2121M          |
| GC15         | 24000445  | CHIP JUMPER, 1608TYPE             |
| GC16         | 24000445  | CHIP JUMPER, 1608TYPE             |
| GC17         | 23103828  | INDUCTOR, BEAD, TEM2121M          |
| GJ03         | 24000445  | CHIP JUMPER, 1608TYPE             |
| GJ04         | 24000445  | CHIP JUMPER, 1608TYPE             |
| GJ05         | 24000445  | CHIP JUMPER, 1608TYPE             |
| GJ08         | 24000445  | CHIP JUMPER, 1608TYPE             |
| GJ11         | 24000445  | CHIP JUMPER, 1608TYPE             |
| GJ13         | 24000445  | CHIP JUMPER, 1608TYPE             |
| GJ14         | 24000445  | CHIP JUMPER, 1608TYPE             |
| GJ16         | 24000445  | CHIP JUMPER, 1608TYPE             |
| GJ17         | 24000445  | CHIP JUMPER, 1608TYPE             |
| GJ18         | 24000445  | CHIP JUMPER, 1608TYPE             |
| GJ21         | 24000445  | CHIP JUMPER, 1608TYPE             |
| GJ22         | 24000445  | CHIP JUMPER, 1608TYPE             |
| GJ23         | 24000445  | CHIP JUMPER, 1608TYPE             |
| GJ24         | 24000445  | CHIP JUMPER, 1608TYPE             |
| GJ30         | 24000445  | CHIP JUMPER, 1608TYPE             |
| GJ47         | 24000445  | CHIP JUMPER, 1608TYPE             |
| GJ48         | 24000445  | CHIP JUMPER, 1608TYPE             |
| GJ48         | 24000824  | JUMPER CHIP, 2125TYPE             |
| GJ49         | 24000445  | CHIP JUMPER, 1608TYPE             |
| GJ51         | 24000445  | CHIP JUMPER, 1608TYPE             |
| GJ62         | 24000445  | CHIP JUMPER, 1608TYPE             |
| GJ63         | 24000445  | CHIP JUMPER, 1608TYPE             |
| GJ68         | 24000445  | CHIP JUMPER, 1608TYPE             |
| GJ73         | 24000445  | CHIP JUMPER, 1608TYPE             |
| GJ74         | 24000445  | CHIP JUMPER, 1608TYPE             |
| GJ75         | 24000445  | CHIP JUMPER, 1608TYPE             |
| GJ76         | 24000445  | CHIP JUMPER, 1608TYPE             |
| GJ76         | 24000445  | CHIP JUMPER, 1608TYPE             |
| GJ77         | 24000445  | CHIP JUMPER, 1608TYPE             |
| GJ78         | 24000445  | CHIP JUMPER, 1608TYPE             |
| GJ79         | 24000445  | CHIP JUMPER, 1608TYPE             |
| GJ705        | 24000824  | JUMPER CHIP, 2125TYPE             |
| GJ707        | 24000824  | JUMPER CHIP, 2125TYPE             |
| GJ708        | 24000824  | JUMPER CHIP, 2125TYPE             |
| GJ711        | 24872101  | CHIP, METAL FILM, 1/16W 100 OHM J |

| Location No. | Parts No. | Description                               |
|--------------|-----------|---|
| GJ712        | 24872101  | CHIP, METAL FILM, 1/16W 100 OHM J         |
| GJ713        | 24000824  | JUMPER CHIP, 2125TYPE                     |
| GJ714        | 24000824  | JUMPER CHIP, 2125TYPE                     |
| GJ718        | 24000824  | JUMPER CHIP, 2125TYPE                     |
| GJ777        | 24000445  | CHIP JUMPER, 1608TYPE                     |
| GT03         | 24011472  | CHIP, METAL FILM, 1/20W 4.7K OHM J        |
| GT04         | 24011472  | CHIP, METAL FILM, 1/20W 4.7K OHM J        |
| GT05         | 24011472  | CHIP, METAL FILM, 1/20W 4.7K OHM J        |
| GT07         | 24000445  | CHIP JUMPER, 1608TYPE                     |
| GT09         | 24011103  | CHIP, METAL FILM, 1/20W 10K OHM J         |
| H002         | 23148745  | MODULE, NICAM/IGR A-PRO, MPSN11C          |
| JR01         | 24000445  | CHIP JUMPER, 1608TYPE                     |
| KB01         | 23000852  | IC, REMOCON RECEIVER, PIC-37043TE2        |
| P661         | 23365444  | JACK, EARPHONE, D3.5 HOSIDEN              |
| P701         | 23367724  | CONNECTOR, B-B, 15P                       |
| P702         | 23367724  | CONNECTOR, B-B, 15P                       |
| P708         | 23902655  | CONNECTOR, 15P                            |
| P709         | 23902655  | CONNECTOR, 15P                            |
| P713         | 23164787  | CONNECTOR, PLUG, 7P                       |
| P714         | 23164787  | CONNECTOR, PLUG, 7P                       |
| P715         | 23164787  | CONNECTOR, PLUG, 7P                       |
| P800         | 23368013  | CONNECTOR, PLUG, 2P 11.88MM W VT-JST      |
| △ P801       | 23372012  | POWER CORD, POWER CORD                    |
| △ P801       | 23372052  | POWER CORD, 250V2.5A                      |
| PF01         | 23902655  | CONNECTOR, 15P                            |
| PH02         | 23365598  | 21 PIN CONNECTOR 2100RFT 21 PIN CONNECTOR |
| PT01         | 23367724  | CONNECTOR, B-B, 15P                       |
| PW01         | 23368130  | CONNECTOR, 10P                            |
| PW02         | 23368130  | CONNECTOR, 10P                            |
| PW06         | 23902213  | CONNECTOR, 10P                            |
| PW07         | 23902213  | CONNECTOR, 10P                            |
| △ S801       | 23145434  | SWITCH, 2C2P, POWER                       |
| SA01         | 23145226  | SWITCH, 1C1P, PUSH                        |
| SA02         | 23145226  | SWITCH, 1C1P, PUSH                        |
| SA03         | 23145226  | SWITCH, 1C1P, PUSH                        |
| SA04         | 23145226  | SWITCH, 1C1P, PUSH                        |
| SA06         | 23145226  | SWITCH, 1C1P, PUSH                        |
| SA07         | 23145226  | SWITCH, 1C1P, PUSH                        |
| SA08         | 23145226  | SWITCH, 1C1P, PUSH                        |
| △ SR81       | 23146574  | RELAY, DLS5D1-O(M) 0.15W                  |
| △ V901A      | 23903148  | SOCKET, ISH-44S-E ICE #5                  |
| △ V902A      | 23903148  | SOCKET, ISH-44S-E ICE #5                  |
| △ V903A      | 23903148  | SOCKET, ISH-44S-E ICE #5                  |
| W661         | 23351131  | SPEAKER, SPK11390, 120X120, 8 OHM, 15W    |
| W662         | 23351131  | SPEAKER, SPK11390, 120X120, 8 OHM, 15W    |
| X501         | 23153438  | CRYSTAL, 16.200 25PPM 25OHM               |
| X4402        | 23153721  | CERAMIC RESONATOR, 503KHZ                 |
| XA01         | 23153497  | CERAMIC RESONATER, TCR1080AM              |
| XT01         | 23153930  | CRYSTAL                                   |
| △ Z410       | 23110842  | FOCUS PACK, TPA6031                       |
| Z410A        | 23505177  | CABLE, FOCUS                              |
| △ Z450       | 24083013  | COMPOSITE PARTS, CR-BLOCK, TPA5010AH      |
| Z702         | 23103823  | COIL, FILTER, TEM2027D                    |
| Z703         | 23103823  | COIL, FILTER, TEM2027D                    |
| Z704         | 23103823  | COIL, FILTER, TEM2027D                    |
| Z705         | 23103823  | COIL, FILTER, TEM2027D                    |
| Z706         | 23103823  | COIL, FILTER, TEM2027D                    |
| Z707         | 23103823  | COIL, FILTER, TEM2027D                    |
| Z711         | 23103823  | COIL, FILTER, TEM2027D                    |
| Z712         | 23103823  | COIL, FILTER, TEM2027D                    |

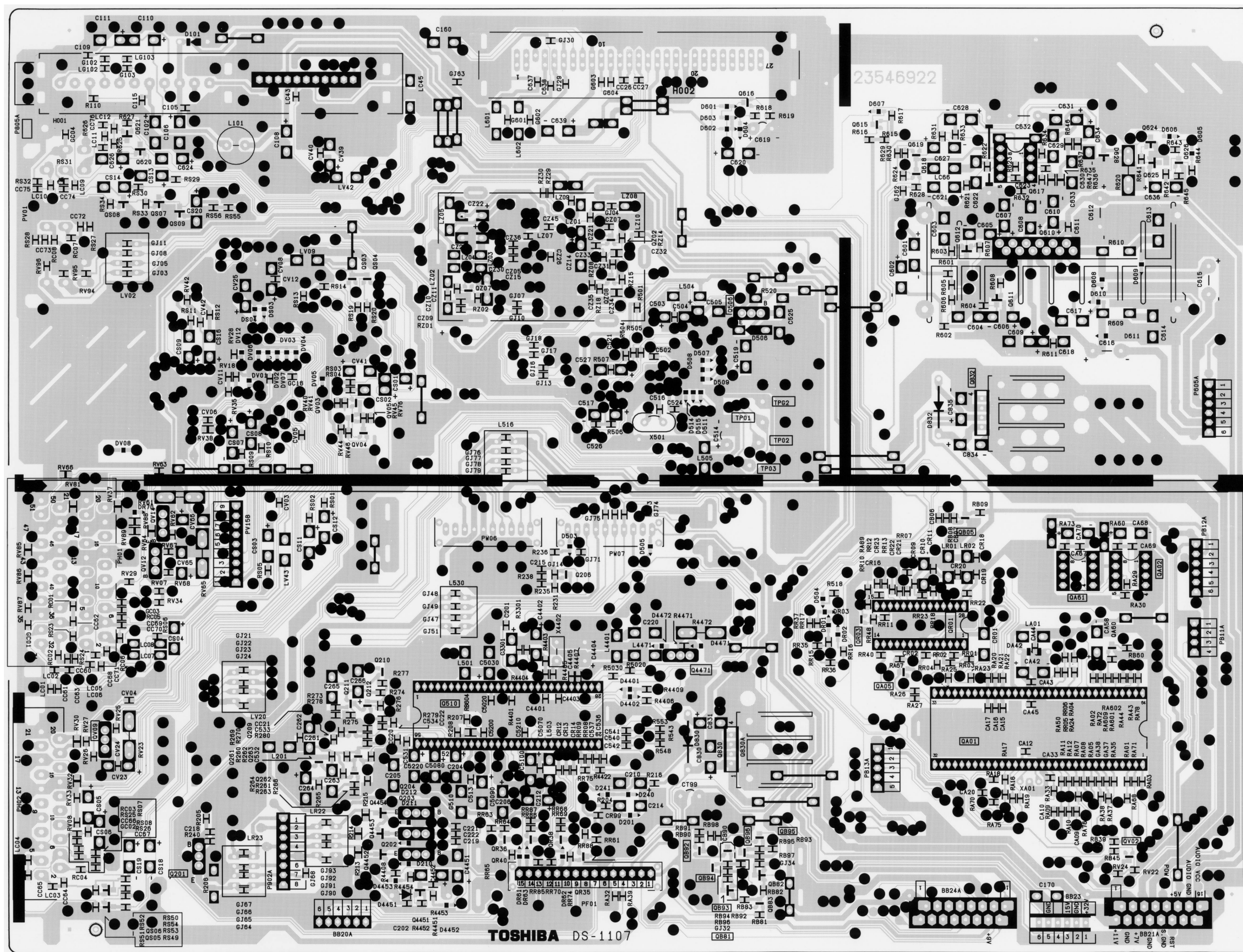
| Location No.               | Parts No. | Description                               |
|----------------------------|-----------|---|
| △ Z853                     | 23144608  | PROTECTOR, PRT SERIES, DC60V/AC90V 4000MA |
| △ Z854                     | 23144608  | PROTECTOR, PRT SERIES, DC60V/AC90V 4000MA |
| Z856                       | 23144605  | PROTECTOR, PRT SERIES, DC60V/AC90V 2000MA |
| Z857                       | 23144607  | PROTECTOR, PRT SERIES, DC60V/AC90V 3150MA |
| Z858                       | 23144609  | PROTECTOR, PRT SERIES, DC60V/AC90V 5000MA |
| Z859                       | 23144609  | PROTECTOR, PRT SERIES, DC60V/AC90V 5000MA |
| △ Z860                     | 23144480  | PROTECTOR, CURRENT, AC125V 3.15A          |
| Z861                       | 23144605  | PROTECTOR, PRT SERIES, DC60V/AC90V 2000MA |
| <b>PC BOARD ASSEMBLIES</b> |           |   |
| * U101                     | 23787349  | SIGNAL BOARD, PD0380B                     |
| * U102                     | 23787350  | DEF/CONV BOARD, PD0381B                   |
| * U103                     | 23787351  | D-CONVER BOARD, PD0382B                   |
| * U104                     | 23787247  | TEXT-P2 BOARD, PD0267A                    |
| * U105                     | 23784625  | ED-WAC BOARD, PB8892B                     |
| * U901A                    | 23787352  | CRTD RED BOARD, PD0383B1                  |
| * U901B                    | 23787353  | CRTD GREEN BOARD, PD0383B2                |
| * U901C                    | 23787354  | CRTD BLUE BOARD, PD0383B3                 |
| * U901D                    | 23787355  | SVM BOARD, PD0383B4                       |
| * U902                     | 23786974  | MAIN-POWER BOARD, PD0384A                 |
| * U903A                    | 23786829  | FRONT IN BOARD, PD0208B1                  |
| * U903B                    | 23786830  | RMT IN BOARD, PD0208B2                    |
| * U903C                    | 23786831  | KEY-IND BOARD, PD0208B3                   |
| <b>PICTURE TUBE</b>        |           |   |
| △ V911R                    | 23588741  | SERVICE KIT, PJTV CRT-R                   |
| △ V912B                    | 23588742  | SERVICE KIT, PJTV CRT-G                   |
| △ V913G                    | 23588743  | SERVICE KIT, PJTV CRT-B                   |
| <b>TUNER</b>               |           |   |
| H001                       | 23321398  | TUNER, EURO IF ALPS TADF4-003A            |
| <b>ACCESSORIES</b>         |           |   |
| K902                       | 23306435  | REMOCON HAND UNIT IR, CTVPAL CT-90101     |
| Y101A                      | 23565548  | OWNER'S MANUAL, ENGLISH, 42PW23P          |
| Y101B                      | 23565549  | OWNER'S MANUAL, FRENCH, 42PW23P           |
| Y101C                      | 23565550  | OWNER'S MANUAL, GER, 42PW23P              |
| Y101D                      | 23565551  | OWNER'S MANUAL, ITA, 42PW23P              |
| Y101E                      | 23565552  | OWNER'S MANUAL, SPA, 42PW23P              |
| Y101F                      | 23565554  | OWNER'S MANUAL, DEN, 42PW23P              |
| Y101G                      | 23565555  | OWNER'S MANUAL, SWE, 42PW23P              |
| Y101H                      | 23565556  | OWNER'S MANUAL, FIN, 42PW23P              |
| Y101I                      | 23565557  | OWNER'S MANUAL, NOR, 42PW23P              |
| Y101J                      | 23565558  | OWNER'S MANUAL, DUTCH, 42PW23P            |
| Y101K                      | 23565553  | OWNER'S MANUAL, PORT, 42PW23P             |
| Y101L                      | 23565559  | OWNER'S MANUAL, POL, 42PW23P              |
| Y101M                      | 23565560  | OWNER'S MANUAL, TRK, 42PW23P              |
| <b>CABINET PARTS</b>       |           |   |
| A001                       | 23008798  | OTHER BLOCK, WOOD CABINET 42WH18P         |
| A125                       | 23560038  | LABEL, ATTENTION SERVICE 48PJ6DB          |
| A201                       | 23540760  | COVER, BEZEL 42WT19B                      |
| A202                       | 23450480  | CONTROL PANEL                             |
| A213                       | 23428068  | DOOR                                      |
| A214                       | 70368125  | PUSH CATCH                                |
| A223                       | 23929540  | PIECE, BUTTON POWER 42WT19B               |
| A225                       | 23445538  | BUTTON, CONTROL KEY 42WT19B               |

| Location No. | Parts No. | Description                                    |
|--------------|-----------|--|
| A258         | 23527214  | SPEAKER GRILLE                                 |
| A420         | 23540761  | COVER, MIRROR COVER 42WT19B                    |
| A421         | 23411197  | CABINET, REAR PLATE 43PJ93B 43PJ93B;C995026EP1 |
| △ A424       | 23411597  | CABINET, BENTED BACK BOARD 42WT19B             |
| A505         | 72471068  | SCREW, 4X12                                    |
| A508         | 23035412  | SCREW, BTB4X12SZN                              |
| A529         | 23037312  | SCREW, BTBW3X12SZN                             |
| A543         | 72471068  | SCREW, 4X12                                    |
| A547         | 23035010  | SCREW, PBI 4X16                                |
| A701         | 23064584  | CARTON, CASE 42WT19B                           |
| A702         | 23946233  | PACKING, TOP PACKING 42WT19B                   |
| A703         | 23946234  | PACKING, TOP PACKING 42WT19B                   |
| A726         | 23974753  | POLYPROPYLENE BAND, 3327DB                     |
| A727         | 23974753  | POLYPROPYLENE BAND, 3327DB                     |
| A731D        | 23560820  | LABEL,IN HOUSE CARTON(57YEL), 28MW7DB          |
| K101         | 23405101  | LENS, DELTA71-A/B                              |
| K102         | 23405101  | LENS, DELTA71-A/B                              |
| K103         | 23405101  | LENS, DELTA71-A/B                              |
| K501         | 23311897  | SCREEN, 42KL LENTICULAR SHEET SCREEN42KL-L     |
| K502         | 23311921  | SCREEN, 42KLU FRESNEL SHEET SCREEN42KLUF       |
| K601         | 23405045  | MIRROR, MIRROR 42W FIRST T3 42WT19B            |

# PC BOARDS LAYOUT TOP VIEW

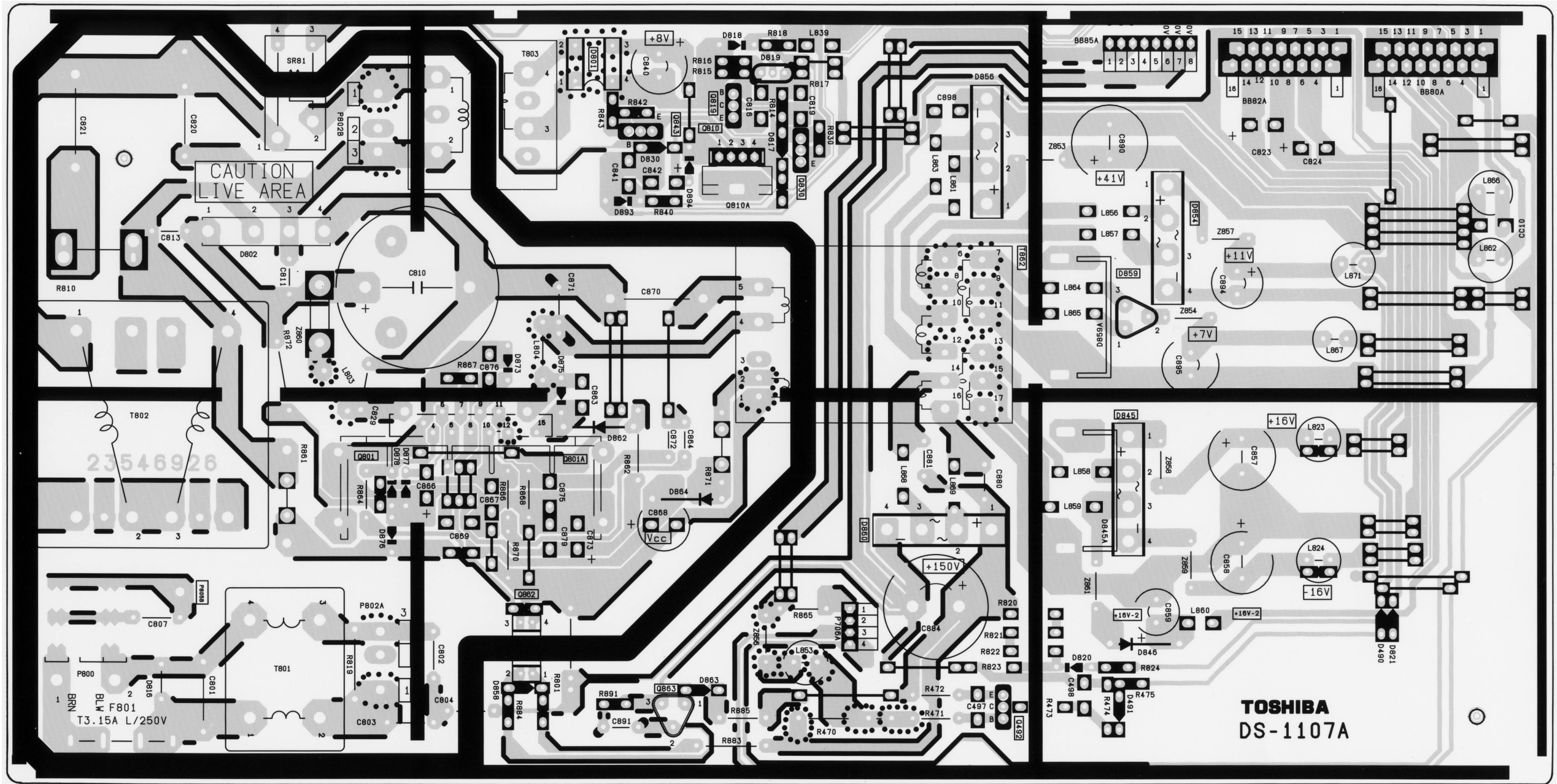


SIGNAL BOARD PD0380B  
BOTTOM (FOIL) SIDE



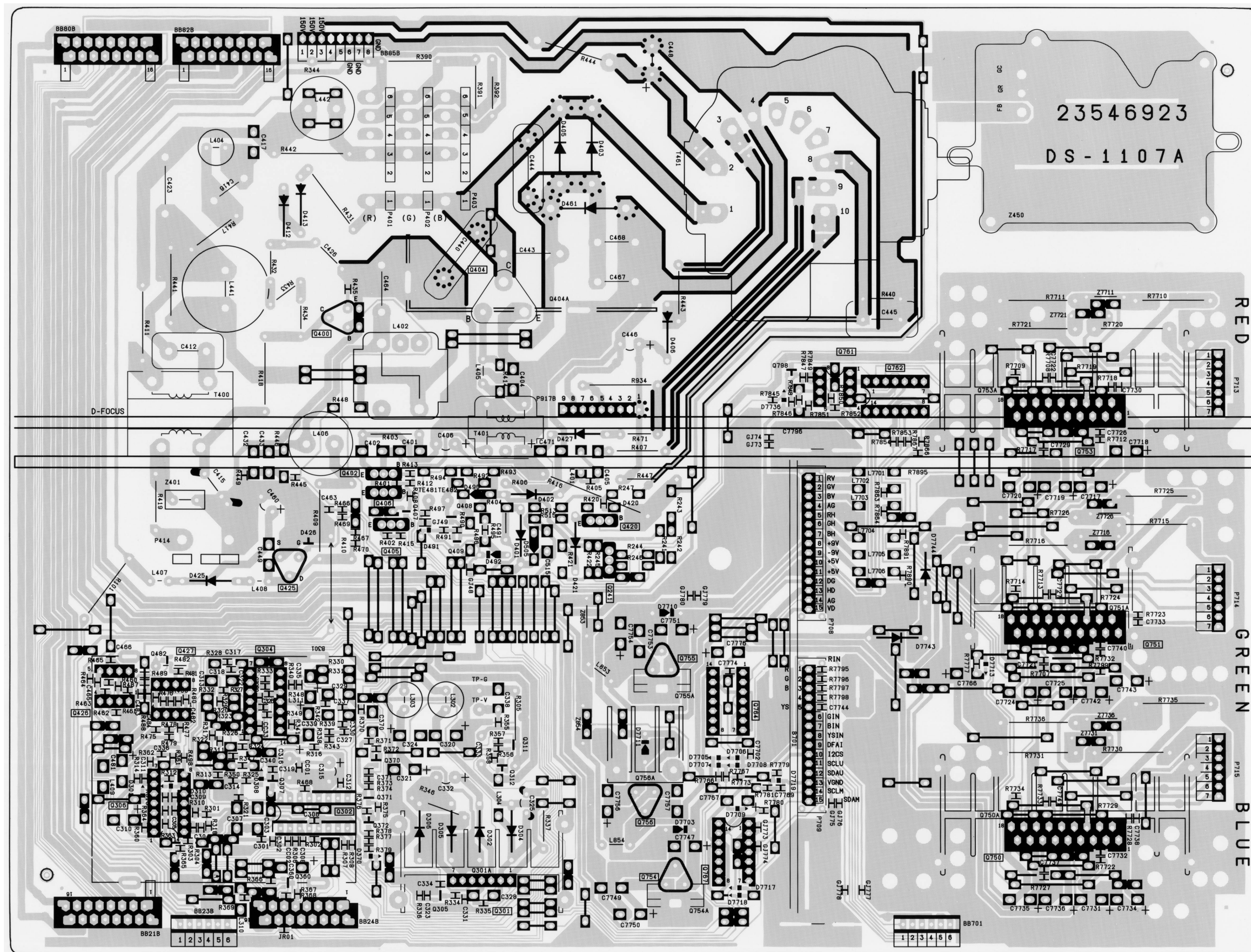


MAIN-POWER BOARD PD0384A  
BOTTOM (FOIL) SIDE

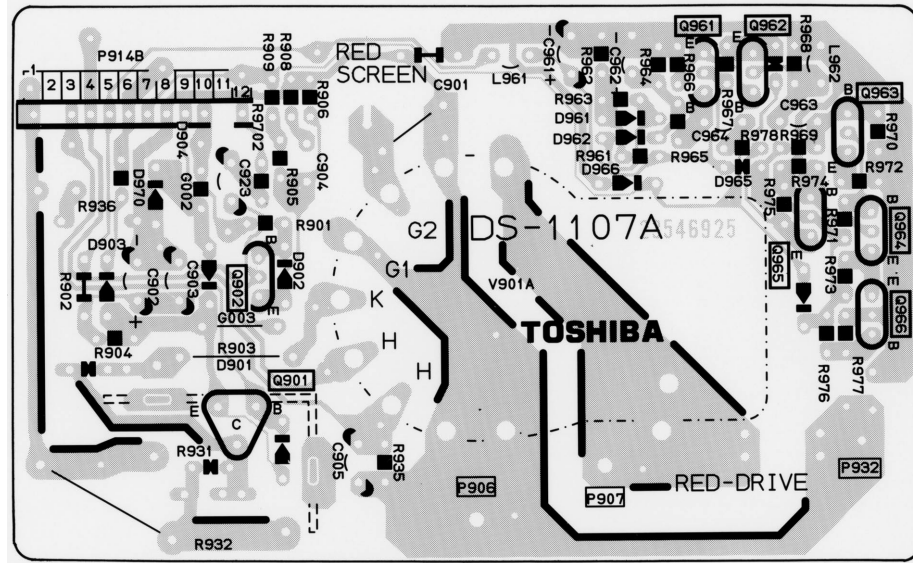




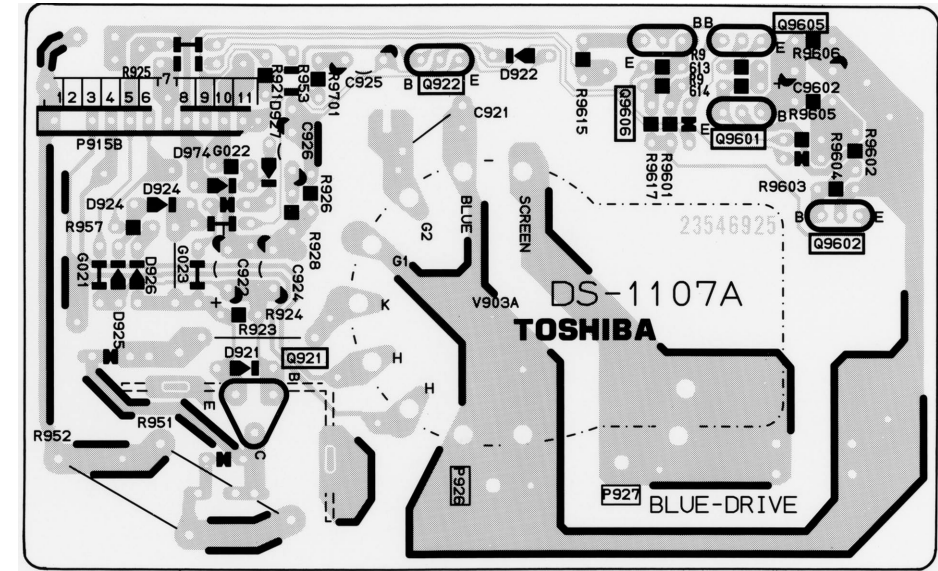
DEF/CONV BOARD PD0381B  
 BOTTOM (FOIL) SIDE



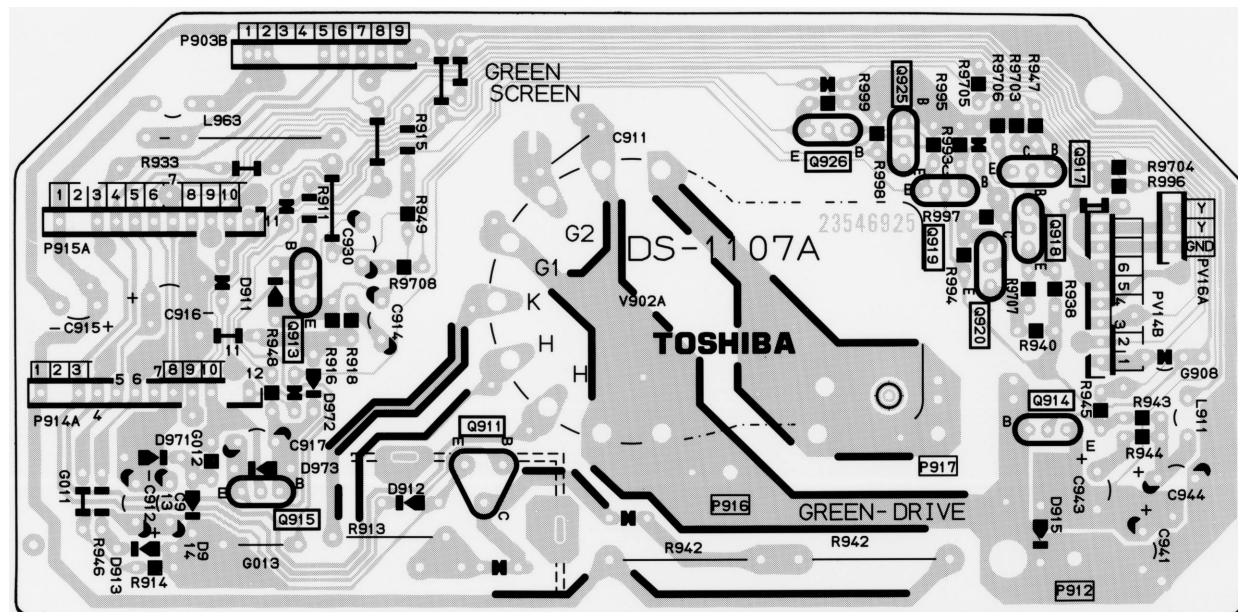
**CRT-D RED BOARD PD0383B-1**  
 BOTTOM (FOIL) SIDE



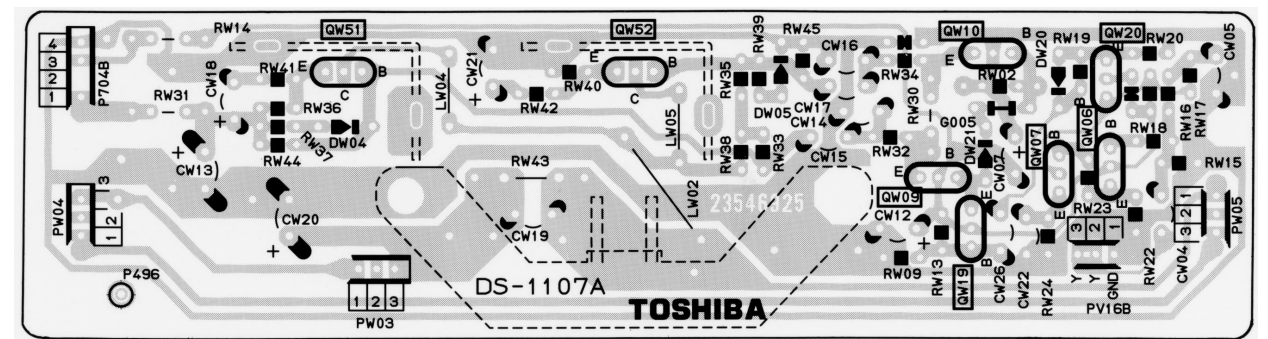
**CRT-D BLUE BOARD PD0383B-3**  
 BOTTOM (FOIL) SIDE



**CRT-D GREEN BOARD PD0383B-2**  
 BOTTOM (FOIL) SIDE

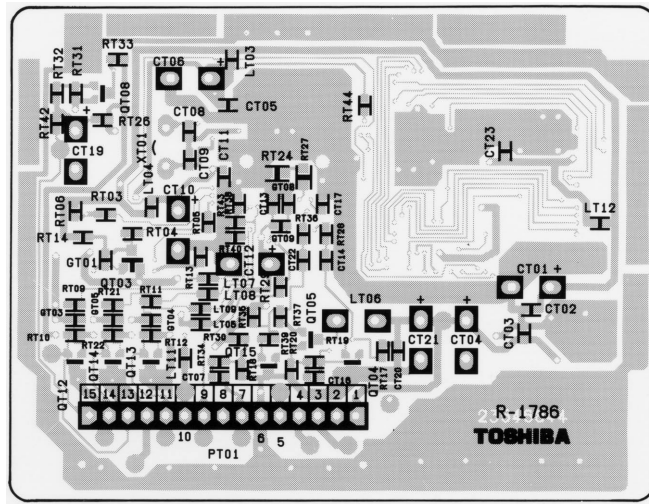


**SVM BOARD PD0383B-4**  
 BOTTOM (FOIL) SIDE

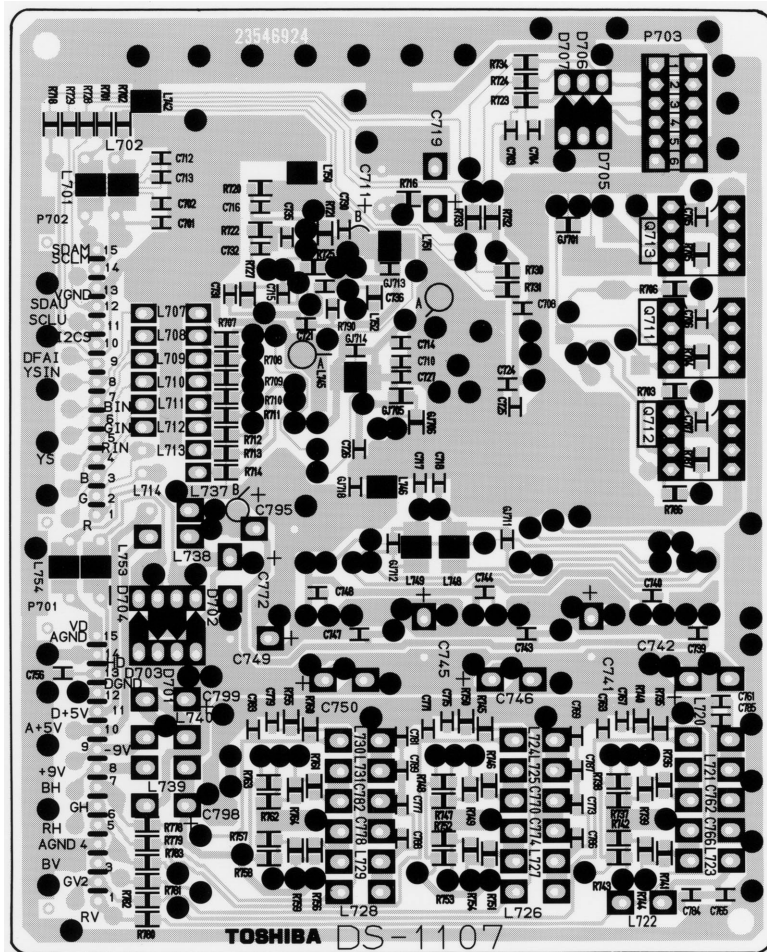




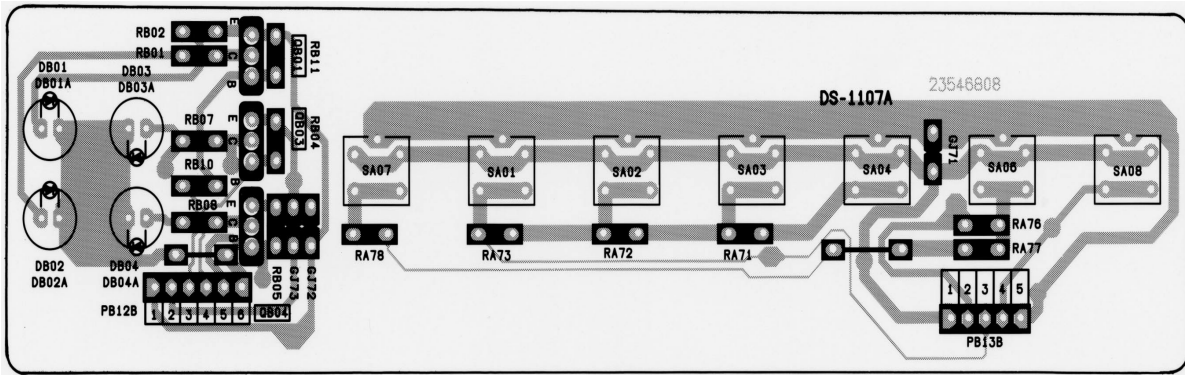
**TEXT-P2 BOARD PD0267A**  
**BOTTOM (FOIL) SIDE**



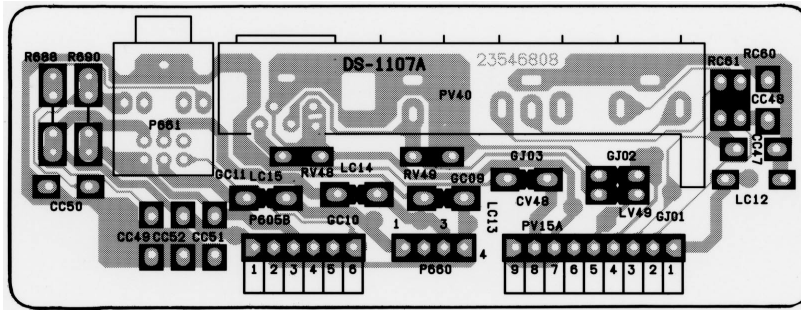
**D-CONVER BOARD PD0382B**  
**BOTTOM (FOIL) SIDE**



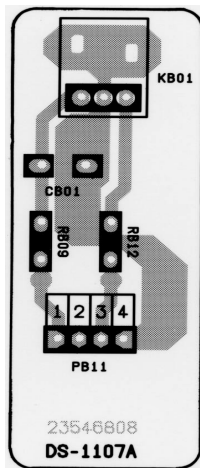
**FRONT IN BOARD PD0208B-1**  
**BOTTOM (FOIL) SIDE**



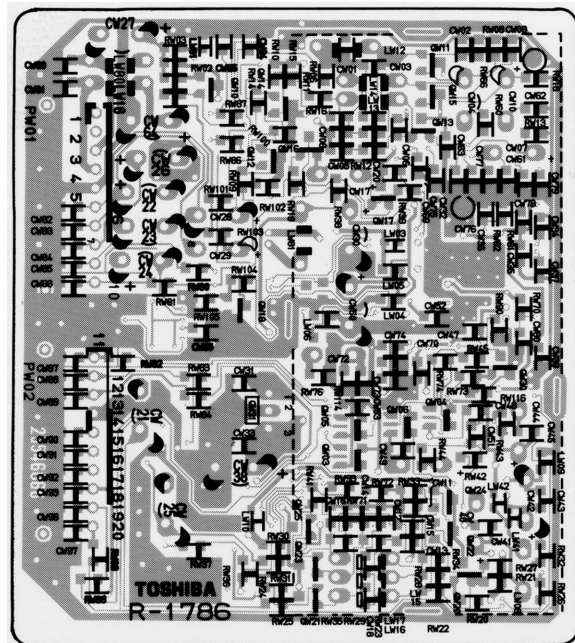
**KEY-IND BOARD PD0208B-2**  
**BOTTOM (FOIL) SIDE**



**RMT IN BOARD PD0208B-3**  
**BOTTOM (FOIL) SIDE**

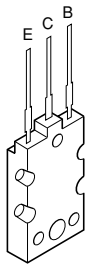


**ED WACK BOARD PB8892B**  
**BOTTOM (FOIL) SIDE**

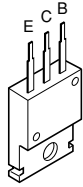


# TERMINAL VIEW OF TRANSISTORS

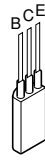
- ① 2SD2253  
(old)  
2SC5243



- ② 2SC3852  
2SD1763A  
2SC1569  
2SC4544  
2SA1788  
2SA1306  
2SA1186A



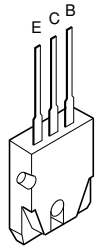
- ③ 2SC752GTM  
2SC2482  
2SC2655  
2SC4721P



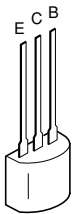
- ④ 2SC752  
2SA562TM  
2SA1015  
2SC1815  
2SC2878  
2SC1740S  
2SC2120  
2SA9335



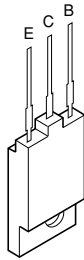
- ⑤ 2SA1788



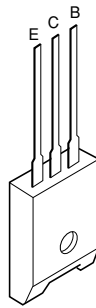
- ⑥ RN2203  
RN2201  
RN2004  
RN1203  
RN1204  
RN2204  
RN1205  
RN1202  
RN1201



- ⑦ 2SD1554  
2SD2253  
2SD1556  
2SC5143  
2SD2553



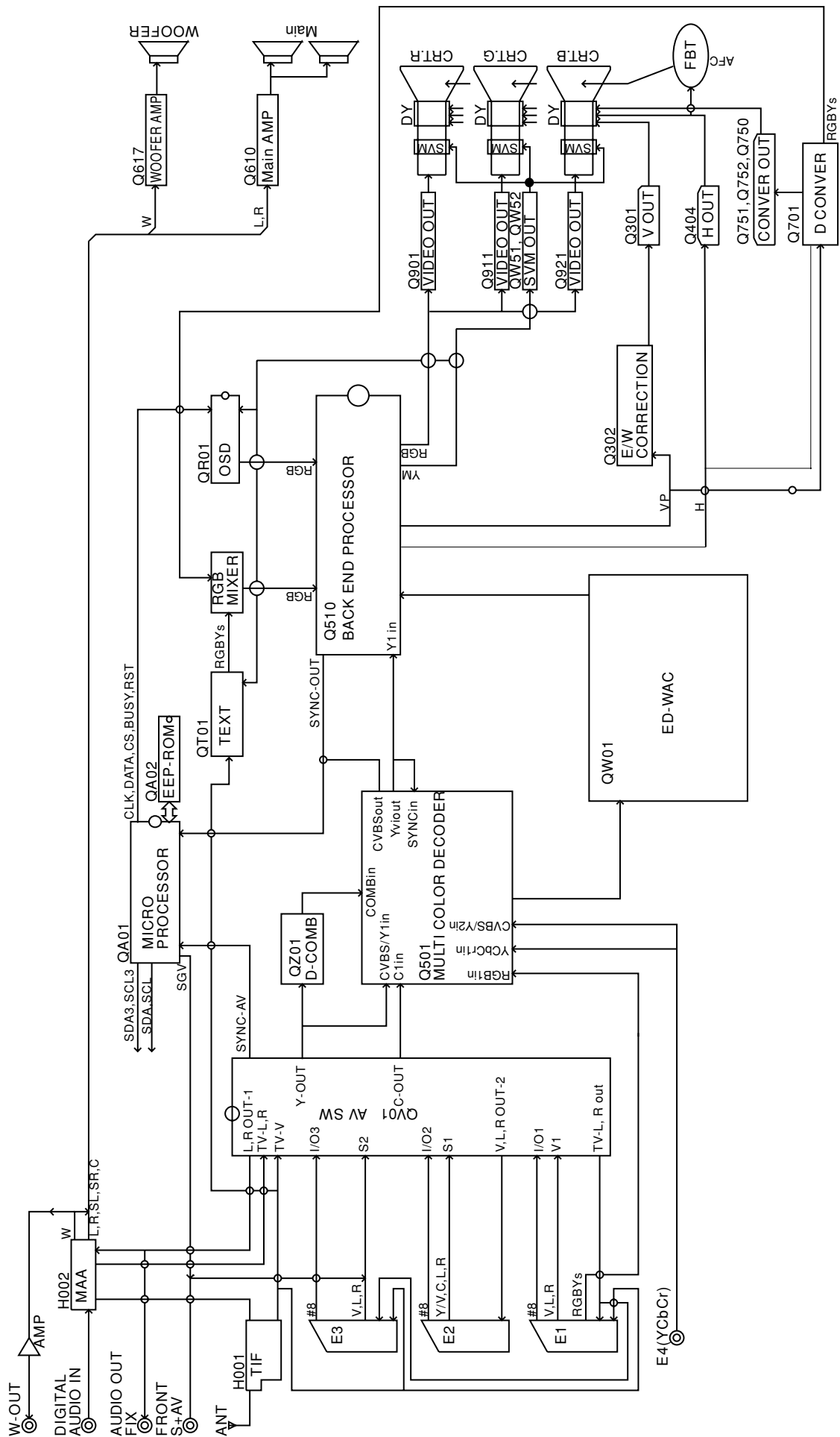
- ⑧ ON4409



**THIS PAGE IS  
INTENTIONALLY LEFT  
BLANK.**



# CIRCUIT BLOCK DIAGRAM



### SPECIFICATIONS

|  |                   |   |                     |            |            |                               |
|--|-------------------|---|---------------------|------------|------------|-------------------------------|
| Rated voltage                          |                   | AC 220 V – 240 V, 50/60 Hz  |                     |            |            |                               |
| Dimensions<br>(Width × Height × Depth) |                   | 1004 mm × 1161 mm × 415 mm  |                     |            |            |                               |
| Mass                                   |                   | 50.5 kg   |                     |            |            |                               |
| Screen size                            |                   | Type 42   |                     |            |            |                               |
| Television system<br>(Aerial input)    | Channel coverage  | <b>System</b>   | <b>Channel</b>      | <b>VHF</b> | <b>UHF</b> | <b>CATV</b>                   |
|  | Special RF signal | <b>Colour system</b>  | <b>Sound system</b> |            |            |                               |
|  |                   | PAL B/G   | CCIR                | 2 – 12     | 21 – 69    | X ~ Z+2, S1 ~ S41             |
|  |                   | PAL I   | UK                  | —          | 21 – 69    | —                             |
|  |                   | SECAM L   | CCIR                | *          | 21 – 69    | * VHF : B-C ; 1-6, B-Q, 71-86 |
|  |                   | SECAM D/K   | OIRT                | 1 – 12     | 21 – 69    | X1 ~ X19                      |
|  |                   | 4.43NTSC  | 5.5/6.0/6.5 MHz     |            |            |                               |
|  |                   | PAL 60Hz  | 5.5/6.0/6.5 MHz     |            |            |                               |
| Colour system                          |                   | PAL/SECAM/4.43NTSC/3.58NTSC   |                     |            |            |                               |
| Sound output                           |                   | 14 W + 14 W   |                     |            |            |                               |
| Accessories                            |                   | <ul style="list-style-type: none"> <li>• Remote control unit           × 1</li> <li>• Battery (R03, AAA)           × 2</li> </ul> |                     |            |            |                               |

\* Please refer to owner's manual in detail.

**TOSHIBA CORPORATION**  
1-1, SHIBAURA 1-CHOME, MINATO-KU, TOKYO 105-8001, JAPAN